

SAI-M23-BE-6**Weidmüller Interface GmbH & Co. KG**

Klingenbergstraße 26

D-32758 Detmold

Germany

www.weidmueller.com

Similar to illustration

The M23 round plug-in connectors offer a high number of mating cycles, high current-carrying capacity and high contact-density coupled with minimum dimensions. Enclosures, inserts and crimp contacts need to be ordered separately.

General ordering data

Version	Sensor/Actuator plug-in connector, Insert
Order No.	1170020000
Type	SAI-M23-BE-6
GTIN (EAN)	4032248962020
Qty.	1 items

Technical data

Approvals

Approvals



ROHS	Conform
UL File Number Search	UL Website
Certificate No. (UR)	E344862

Dimensions and weights

Net weight	5 g
------------	-----

Environmental Product Compliance

RoHS Compliance Status	Compliant without exemption
REACH SVHC	No SVHC above 0.1 wt%

Technical data customisable plug-in connectors

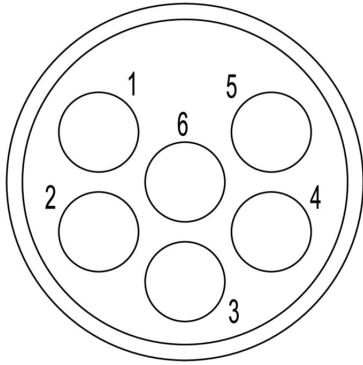
Number of poles	6	Coding	none
Type of connection	Crimp connection	Housing main material	Thermoplastic polyamide PA 6, PBT
Nominal voltage	300 V	Nominal current	20 A
Plugging cycles	> 1000	Pollution severity	3
Rated current	2 mm contact= 20 A	Gender of contact	Female
Coding possibilities for M23 signal inserts	H-coded, N-coded, S-coded, X-coded, Y-coded, Z-coded		

Classifications

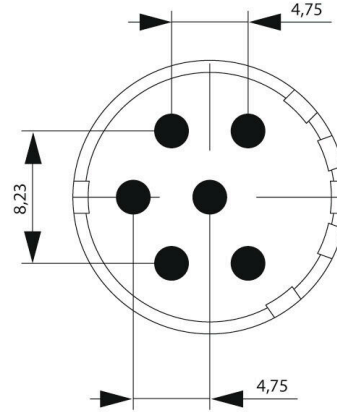
ETIM 8.0	EC003557	ETIM 9.0	EC003557
ETIM 10.0	EC003557	ECLASS 14.0	27-44-02-23
ECLASS 15.0	27-44-02-23		

Drawings

Pinning



Dimensioned drawing



Technical data

Number of positions	6	7	9		12	16	17	19	
Number of contacts	6	7	8	1	12	16	17	16	3
Contact-ø	mm	2	2	1	2	1	1	1	1,5



SAI-M23-BE-6

Weidmüller Interface GmbH & Co. KG
 Klingenbergstraße 26
 D-32758 Detmold
 Germany

www.weidmueller.com

Accessories

2 mm



The M23 round plug-in connectors offer a high number of mating cycles, high current-carrying capacity and high contact-density coupled with minimum dimensions. Enclosures, inserts and crimp contacts need to be ordered separately.

General ordering data

Type	SAI-M23-KBC-2-0.75-2.5	Version	
Order No.	1170260000	Sensor/Actuator plug-in connector, Crimp contact	
GTIN (EAN)	4032248962099		
Qty.	50 ST		

...for M23



Weidmüller offers a wide range of tools and accessories for sensor-actuator cabling.

General ordering data

Type	SAI M23 CRIMPING TOOL 2	Version	
Order No.	1203960000	Pressing tool for signal contacts, 4-indent crimp	
GTIN (EAN)	4050118000764		
Qty.	1 ST		

Standard enclosure



The M23 round plug-in connectors offer a high number of mating cycles, high current-carrying capacity and high contact-density coupled with minimum dimensions. Enclosures, inserts and crimp contacts need to be ordered separately.

General ordering data

Type	SAI-M23-GS-11/17	Version	
Order No.	1299390000	Sensor/Actuator plug-in connector, Empty enclosure	
GTIN (EAN)	4050118097191		
Qty.	1 ST		

SAI-M23-BE-6

Weidmüller Interface GmbH & Co. KG
 Klingenbergstraße 26
 D-32758 Detmold
 Germany

www.weidmueller.com

Accessories

Type	SAI-M23-GS-7/12	Version
Order No.	1995840000	Sensor/Actuator plug-in connector, Empty enclosure
GTIN (EAN)	4032248926121	
Qty.	1 ST	
Type	SAI-M23-GSW-S-7/12	Version
Order No.	1169920000	Sensor/Actuator plug-in connector, Empty enclosure
GTIN (EAN)	4032248961986	
Qty.	1 ST	
Type	SAI-M23-KS-7/12	Version
Order No.	1169900000	Sensor/Actuator plug-in connector, Empty enclosure
GTIN (EAN)	4032248961948	
Qty.	1 ST	
Type	SAIL-M23-KSW-7/12	Version
Order No.	1169930000	Sensor/Actuator plug-in connector, Empty enclosure
GTIN (EAN)	4032248961993	
Qty.	1 ST	
Type	SAIE-M23-S-EM	Version
Order No.	1169970000	Sensor/Actuator plug-in connector, Built-in plugs, Empty enclosure
GTIN (EAN)	4032248961979	
Qty.	1 ST	
Type	SAIE-M23-S-HW	Version
Order No.	1169990000	Sensor/Actuator plug-in connector, Built-in plugs, Empty enclosure
GTIN (EAN)	4032248962051	
Qty.	1 ST	
Type	SAIE-M23-S-RM	Version
Order No.	1169950000	Sensor/Actuator plug-in connector, Built-in plugs, Empty enclosure
GTIN (EAN)	4032248961092	
Qty.	1 ST	
Type	SAIE-M23-S-VW	Version
Order No.	1169940000	Sensor/Actuator plug-in connector, Built-in plugs, Empty enclosure
GTIN (EAN)	4032248962013	
Qty.	1 ST	