

**SAIE-M23-S-VW****Weidmüller Interface GmbH & Co. KG**

Klingenbergstraße 26

D-32758 Detmold

Germany

www.weidmueller.com



The M23 round plug-in connectors offer a high number of mating cycles, high current-carrying capacity and high contact-density coupled with minimum dimensions. Enclosures, inserts and crimp contacts need to be ordered separately.

**General ordering data**

Version	Sensor/Actuator plug-in connector, Built-in plugs, Empty enclosure
Order No.	<a href="#">1169940000</a>
Type	SAIE-M23-S-VW
GTIN (EAN)	4032248962013
Qty.	1 items

**SAIE-M23-S-VW**

**Weidmüller Interface GmbH & Co. KG**  
 Klingenbergstraße 26  
 D-32758 Detmold  
 Germany

www.weidmueller.com

**Technical data**

**Approvals**

Approvals



ROHS	Conform
UL File Number Search	<a href="#">UL Website</a>
Certificate No. (UR)	E344862

**Dimensions and weights**

Net weight	21.12 g
------------	---------

**Environmental Product Compliance**

RoHS Compliance Status	Compliant with exemption
RoHS Exemption (if applicable/known)	6c
REACH SVHC	Lead 7439-92-1
SCIP	ebf89fc8-a87f-4691-b87a-dfb9921774b4

**Technical data customisable plug-in connectors**

Housing main material	Copper-zinc alloy	Protection degree	IP67, IP69K
Pollution severity	3	Shield connection	Yes
Temperature range of housing	-40...+125 °C		

**Classifications**

ETIM 8.0	EC003556	ETIM 9.0	EC003556
ETIM 10.0	EC003556	ECLASS 14.0	27-44-02-24
ECLASS 15.0	27-44-02-24		

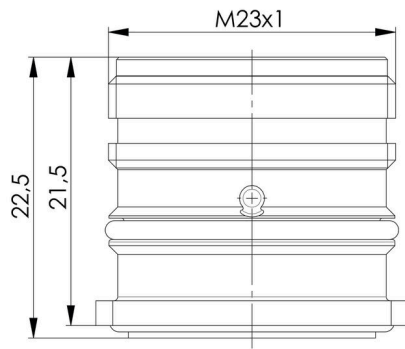
**SAIE-M23-S-VW**

**Weidmüller Interface GmbH & Co. KG**  
Klingenbergstraße 26  
D-32758 Detmold  
Germany

[www.weidmueller.com](http://www.weidmueller.com)

**Drawings**

**Dimensioned drawing**



**Dimensioned drawing**

