

SAISWS-M-4D-6/8-M12

Weidmüller Interface GmbH & Co. KG
Klingenbergstraße 26
D-32758 Detmold
Germany

www.weidmueller.com



M12 plug-in connector in IP 67 available with crew or tension clamp connection

General ordering data

Version	Field attachable connector, M12
Order No.	1160550000
Type	SAISWS-M-4D-6/8-M12
GTIN (EAN)	4032248948444
Qty.	1 items

SAISWS-M-4D-6/8-M12

Weidmüller Interface GmbH & Co. KG
Klingenbergstraße 26
D-32758 Detmold
Germany

www.weidmueller.com

Technical data

Approvals

Approvals



ROHS Conform

UL File Number Search [UL Website](#)

Certificate No. (cURus) E307231

Dimensions and weights

Net weight 63.96 g

Environmental Product Compliance

RoHS Compliance Status Compliant with exemption

RoHS Exemption (if applicable/known) 6c

REACH SVHC Lead 7439-92-1, Imidazolidine-2-thione 96-45-7

SCIP bcee35cf-c0f5-43d2-8daf-65ab0d08641a

Technical data customisable plug-in connectors

Number of poles	4	Coding	D-coded
Contact surface	Gold-plated	Type of connection	Screw connection
Housing main material	CuZn	Insulation resistance	108 Ω
Cable diameter, max.	8 mm	Cable diameter, min.	6 mm
Conductor cross-section, max.	0.75 mm ²	Conductor cross-section, min.	0.14 mm ²
Nominal voltage	250 V	Nominal current	4 A
Protection degree	IP67	Plugging cycles	≥ 100
Pollution severity	3	Gender of contact	Male
Shield connection	Yes	Threaded ring material	Diecast zinc
Temperature range of housing	-40 ... +85 ° C	Connection cross-section, max.	0.75 mm ²
Connection cross-section, min.	0.14 mm ²		

General Info

Number of poles	4	Connection 1	M12
Connection 2	Screw	Housing main material	CuZn
Connection thread	M12	Contact surface	Gold-plated
Protection degree	IP67	Plugging cycles	≥ 100

Electrical properties

Insulation resistance 108 Ω Nominal voltage 250 V

General standards

Certificate No. (cURus) E307231 Connector standard IEC 61076-2-101

Standards

Connector standard IEC 61076-2-101

SAISWS-M-4D-6/8-M12

Weidmüller Interface GmbH & Co. KG
Klingenbergstraße 26
D-32758 Detmold
Germany

www.weidmueller.com

Technical data

Classifications

ETIM 8.0	EC002635	ETIM 9.0	EC002635
ETIM 10.0	EC002635	ECLASS 14.0	27-44-01-16
ECLASS 15.0	27-44-01-16		

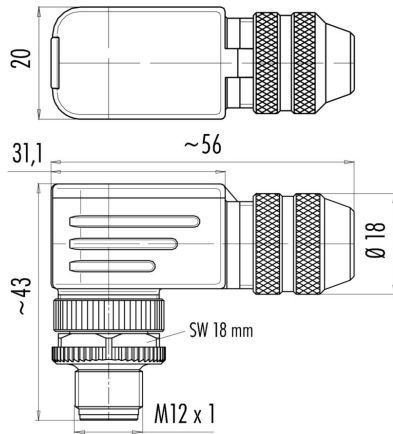
SAISWS-M-4D-6/8-M12

Weidmüller Interface GmbH & Co. KG
Klingenbergstraße 26
D-32758 Detmold
Germany

www.weidmueller.com

Drawings

Dimensioned drawing



Pole scheme

