

**DRR370615L**

**Weidmüller Interface GmbH & Co. KG**  
Klingenbergstraße 26  
D-32758 Detmold  
Germany

www.weidmueller.com

**Product image**

Similar to illustration

Individual relays within the D-SERIES DRR

- 3 CO contacts
- Optional AC or DC coils
- With integrated status LED

**General ordering data**

Version	D-SERIES DRR, Relay, Number of contacts: 3, CO contact AgCdO, Rated control voltage: 115 V AC, Continuous current: 10 A, Plug-in connection, Test button available: No
Order No.	<a href="#">1133820000</a>
Type	DRR370615L
GTIN (EAN)	4032248953332
Qty.	10 items
Delivery status	Discontinued
Available until	2021-04-30T00:00:00+02:00
Alternative product	<a href="#">DRR373615L</a>

## DRR370615L

**Weidmüller Interface GmbH & Co. KG**

Klingenbergstraße 26  
D-32758 Detmold  
Germany

www.weidmueller.com

## Technical data

### Approvals

Approvals



UL File Number Search

[UL Website](#)

Certificate No. (cURus)

E312083

### Dimensions and weights

Depth	66 mm	Depth (inches)	2.5984 inch
Height	34.5 mm	Height (inches)	1.3583 inch
Width	34.5 mm	Width (inches)	1.3583 inch
Net weight	87.6 g		

### Temperatures

Storage temperature	-25 °C...55 °C	Operating temperature	-25 °C...55 °C
Humidity	5...85 % rel. humidity, no condensation		

### Environmental Product Compliance

REACH SVHC	Cadmiumoxid 1306-19-0
SCIP	d639b09c-1311-4897-9d28-417da254eb99

### Rated data UL

Certificate No. (cURus)	E312083
-------------------------	---------

### Control side

Rated control voltage	115 V AC	Rated current AC	29.8 mA (50 Hz), 25.4 mA (60 Hz)
Power rating	2.7 VA	Coil resistance	1250 Ω ± 10 %
Status indicator	red LED		

### Load side

Rated switching voltage	250 V AC	Continuous current	10 A
Max. switching frequency at rated load	0.1 Hz	Inrush current	50 A / 50 ms
AC switching capacity (resistive), max.	2500 VA	DC switching capacity (resistive), max.	240 W @ 24 V
Switch-on delay	< 30 ms	Switch-off delay	< 20 ms
Contact type	3 CO contact (AgCdO)	Mechanical service life	10 x 10 <sup>6</sup> switching cycles
Min. switching power	100 mA @ 12 V		

### General data

Test button available	No	
Mechanical switch position indicator	Yes	
Colour	Transparent	
UL94 flammability rating component	Component	Relay status indicator
	UL94 flammability rating	HB
	Component	Relay baseplate
	UL94 flammability rating	V-0
	Component	Relay cover
	UL94 flammability rating	V-2

**Technical data**

**Insulation coordination**

Rated voltage	250 V	Pollution severity	3
Surge voltage category	III	Insulating material group	IIIa
Clearance and creepage distances for control side - load side	≥ 3 mm	Dielectric strength for control side - load side	2.5 kVeff / 1 Min.
Dielectric strength of neighbouring contacts	1.2 kVeff / 1 min.	Dielectric strength of open contact	1.2 kVeff / 1 min.
Impulse withstand voltage	4 kV (1.2/50 µs)	Protection degree	IP20

**Further details of approvals / standards**

Certificate No. (cURus)	E312083
-------------------------	---------

**Connection data**

Wire connection method	Plug-in connection
------------------------	--------------------

**Important note**

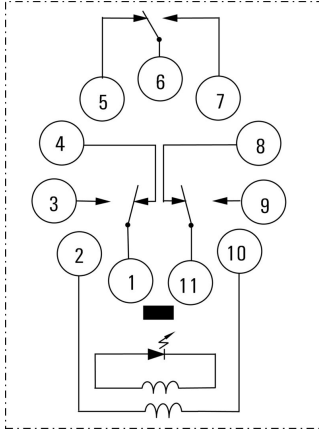
Product information	This article uses an exemption named in Annex III of the RoHS Directive 2011/65/EU "8b - Cadmium and cadmium compounds in electrical contacts", which could only be valid until 21.07.2021, depending on the product category. Please check whether you can use this article depending on the place of marketing and the product category concerned. Alternative product with modified contact material: 2765350000
---------------------	---------------------------------------------------------------------------------------------------------------------------------------------------------------------------------------------------------------------------------------------------------------------------------------------------------------------------------------------------------------------------------------------------------------------

**Classifications**

ETIM 8.0	EC001437	ETIM 9.0	EC001437
ETIM 10.0	EC001437	ECLASS 14.0	27-37-16-01
ECLASS 15.0	27-37-16-01		

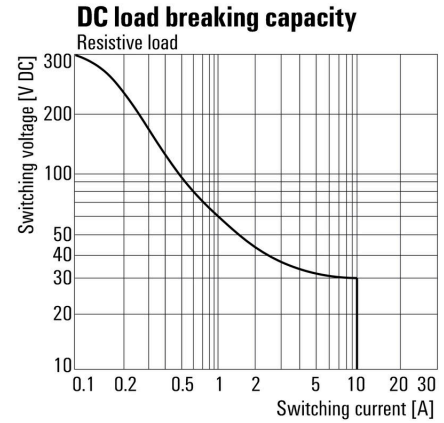
Drawings

Wiring diagram



View of Pins from below

Graph



DC load limit curve Resistive load

Graph



Electrical service life

Graph



AC operational voltage range

Dimensional drawing



**Miscellaneous**



Type codes

## Accessories

### Sockets



- Relay sockets for the D-SERIES DRR relays
- 2 or 3 CO contacts
  - Screw connection

### General ordering data

Type	SRD 3CO ECO	Version	
Order No.	<a href="#">1132820000</a>	D-SERIES DRR, Relay socket, Number of contacts: 3, CO contact,	
GTIN (EAN)	4032248952670	Continuous current: 12 A, Screw connection	
Qty.	10 ST		

### Protection modules



- Pluggable protective modules for the D-SERIES relay sockets, with optional protective functions.
- With free-wheeling diode or RC filter

### General ordering data

Type	RIM 5 6/230VAC	Version	
Order No.	<a href="#">1174670000</a>	D-SERIES, RC filter, Rated control voltage: 6...230 V AC, Plug-in	
GTIN (EAN)	4032248971312	connection	
Qty.	10 ST		

### Retaining clips



- Retaining clip for D-SERIES DRR relays
- Metal retaining clip

### General ordering data

Type	DRR CLIP M	Version	
Order No.	<a href="#">1134160000</a>	D-SERIES DRR, Retaining clip	
GTIN (EAN)	4032248953479		
Qty.	10 ST		

## Blank



ESG is the tried-and-tested marker in MultiCard format for use on many well-known electrical devices. The result is high-quality device marking with a high-contrast appearance.

Various types are available for devices from manufacturers like Siemens, ABB, Beckhoff etc.

Advantages at a glance:

- Tags for universal usage, self-adhesive or clip-on tags, depending on type
- For aligned equipment, e.g. circuit breakers, we supply ESG markers for clipping onto tag rails
- Individual laser-quality printing according to specifications

For custom printing: Please send us a file of our labeling software M-Print PRO or M-Print PRO Online (without installation) for your labeling specifications.

## General ordering data

Type	ESG 6/15 K MC NE WS	Version
Order No.	<a href="#">1880100000</a>	ESG, Device markers x 15 mm, PA 66, Colour: white, Self-adhesive
GTIN (EAN)	4032248478781	
Qty.	200 ST	
Type	ESG 6/15 K MC NE GE	Version
Order No.	<a href="#">1880130000</a>	ESG, Device markers x 15 mm, PA 66, Colour: yellow, Self-adhesive
GTIN (EAN)	4032248478910	
Qty.	200 ST	
Type	ESG 6/17 K MC NE GE	Version
Order No.	<a href="#">1880110000</a>	ESG, Device markers x 17 mm, PA 66, Colour: yellow, Self-adhesive
GTIN (EAN)	4032248478798	
Qty.	200 ST	
Type	ESG 6/17 K MC NE WS	Version
Order No.	<a href="#">1880120000</a>	ESG, Device markers x 17 mm, PA 66, Colour: white, Self-adhesive
GTIN (EAN)	4032248478804	
Qty.	200 ST	
Type	ESG 9/11 K MC NE WS	Version
Order No.	<a href="#">1857440000</a>	ESG, Device markers x 11 mm, PA 66, Colour: white, Self-adhesive
GTIN (EAN)	4032248402731	
Qty.	200 ST	

## Accessories

### Blank, adhesive backing



SM is a MultiCard marker for labelling control and signalling devices. The tags are clipped into the carriers or attached by means of the adhesive film already fitted to them. Customised tags can be created with the PrintJet CONNECT or Plotter marking systems.

- Users can quickly produce tags to suit their needs
- No need to stock expensive standard tags
- Highly resistant printing quality when using the PrintJet as a substitute for engraving
- For extreme demands, we recommend the ETO SM protective film
- Holders can be used for the 22-mm or 30-mm-diameter push-buttons from Siemens, ABB, Moeller and Télémécanique

For custom printing: Please send us a file of our labeling software M-Print PRO or M-Print PRO Online (without installation) for your labeling specifications.

### General ordering data

Type	SM 18/9.5 K MC NE WS	Version	
Order No.	<a href="#">1248580000</a>	SwitchMark, Device markers, 9.5 x 18 mm, white	
GTIN (EAN)	4050118038965		
Qty.	200 ST		
Type	SM 18/9.5 K MC NE GR	Version	
Order No.	<a href="#">1248610000</a>	SwitchMark, Device markers, 9.5 x 18 mm, grey	
GTIN (EAN)	4050118038675		
Qty.	200 ST		
Type	SM 18/9.5 K MC NE GE	Version	
Order No.	<a href="#">1248590000</a>	SwitchMark, Device markers, 9.5 x 18 mm, Siemens 3 SB, yellow	
GTIN (EAN)	4050118038958		
Qty.	200 ST		

### ESG 6/15



Guaranteed long service life: ESG

The multi-colour and multi-format labels have a strong adhesive layer to ensure the best possible adhesion to the underlying surface. Double laminated polyester makes the basic material very thin and yet extremely tear-resistant.

Your benefits with MultiMark

- "Different materials for various requirements"
- Can be used with equipment from many manufacturers
- Device markers with a familiar design

### General ordering data

Type	ESG 6/15 MM WS	Version	
Order No.	<a href="#">2619940000</a>	ESG, Device markers, 6 x 15 mm, white	
GTIN (EAN)	4050118626148		
Qty.	3000 ST		

## Accessories

### ESG 6/17



#### Guaranteed long service life: ESG

The multi-colour and multi-format labels have a strong adhesive layer to ensure the best possible adhesion to the underlying surface. Double laminated polyester makes the basic material very thin and yet extremely tear-resistant.

#### Your benefits with MultiMark

- “Different materials for various requirements”
- Can be used with equipment from many manufacturers
- Device markers with a familiar design

### General ordering data

Type	ESG 6/17 MM WS	Version	
Order No.	<a href="#">2005100000</a>	ESG, Device markers, 6 x 17 mm, white	
GTIN (EAN)	4050118390728		
Qty.	3000 ST		

## Counterpart

### Sockets



- Relay sockets for the D-SERIES DRR relays
- 2 or 3 CO contacts
  - Screw connection

### General ordering data

Type	SRD 3CO ECO	Version	
Order No.	<a href="#">1132820000</a>	D-SERIES DRR, Relay socket, Number of contacts: 3, CO contact,	
GTIN (EAN)	4032248952670	Continuous current: 12 A, Screw connection	
Qty.	10 ST		