

SRD 3CO ECO

Weidmüller Interface GmbH & Co. KG

Klingenbergstraße 26

D-32758 Detmold

Germany

www.weidmueller.com

Product image



Relay sockets for the D-SERIES DRR relays

- 2 or 3 CO contacts
- Screw connection

General ordering data

| | |
|------------|---|
| Version | D-SERIES DRR, Relay socket, Number of contacts: 3, CO contact, Continuous current: 12 A, Screw connection |
| Order No. | 1132820000 |
| Type | SRD 3CO ECO |
| GTIN (EAN) | 4032248952670 |
| Qty. | 10 items |

Technical data

Approvals

Approvals



ROHS Conform

UL File Number Search [UL Website](#)

Certificate No. (cURus) E355547

Dimensions and weights

| | | | |
|------------|---------|-----------------|-------------|
| Depth | 27 mm | Depth (inches) | 1.063 inch |
| Height | 76.7 mm | Height (inches) | 3.0197 inch |
| Width | 38 mm | Width (inches) | 1.4961 inch |
| Net weight | 60.2 g | | |

Temperatures

| | | | |
|-----------------------|----------------|---------------------|--|
| Storage temperature | -40 °C...85 °C | Ambient temperature | -40 °C...65 °C |
| Operating temperature | | Humidity | 35...85 % rel. humidity, no condensation |

Environmental Product Compliance

| | |
|------------------------|-----------------------------|
| RoHS Compliance Status | Compliant without exemption |
| REACH SVHC | No SVHC above 0.1 wt% |

Rated data UL

Certificate No. (cURus) E355547

Load side

| | | | |
|----------------------------|----------|--------------------|--------------|
| Rated switching voltage | 250 V AC | Continuous current | 12 A |
| Max. switching voltage, AC | 300 V | Contact type | 3 CO contact |

General data

| | | | |
|------------------------------------|--------------------------|----------------|--|
| Mounting rail | TS 35 | | |
| Colour | black | | |
| UL94 flammability rating component | Component | Housing | |
| | UL94 flammability rating | V-2 | |
| | Component | Mounting foot | |
| | UL94 flammability rating | HB | |
| | Component | Retaining clip | |
| | UL94 flammability rating | HB | |

Insulation coordination

| | | | |
|---|-------------------|--|--------------------|
| Pollution severity | 2 | Surge voltage category | III |
| Clearance and creepage distances for control side - load side | ≥ 4 mm | Dielectric strength for control side - load side | 2.5 kVeff / 1 Min. |
| Dielectric strength of neighbouring contacts | 2.21 kVeff/ 1 min | Impulse withstand voltage | 4.8 kV (1.2/50 µs) |
| Protection degree | IP20 | | |

Technical data

Further details of approvals / standards

| | |
|-------------------------|---------|
| Certificate No. (cURus) | E355547 |
|-------------------------|---------|

Connection data

| | | | |
|---|---------------------|---|---------------------|
| Wire connection method | Screw connection | Stripping length, rated connection | 7 mm |
| Tightening torque, min. | 0.5 Nm | Tightening torque, max. | 1 Nm |
| Clamping range, min. | 0.5 mm ² | Clamping range, max. | 2.5 mm ² |
| Wire cross-section, solid, min. | 0.5 mm ² | Wire cross-section, solid, max. | 2.5 mm ² |
| Wire connection cross section, finely stranded, min. | 0.5 mm ² | Wire connection cross section, finely stranded, max. | 2.5 mm ² |
| Wire connection cross-section, finely stranded with wire-end ferrules DIN 46228/4, min. | 0.5 mm ² | Wire connection cross-section, finely stranded with wire-end ferrules DIN 46228/4, max. | 2.5 mm ² |
| Conductor cross-section, flexible, AEH (DIN 46228-1), min. | 0.5 mm ² | Conductor cross-section, flexible, AEH (DIN 46228-1), max. | 2.5 mm ² |
| Wire connection cross section, finely stranded, two clampable wires, min. | 0.5 mm ² | Wire cross-section, finely stranded, two clampable wires, max. | 1 mm ² |
| Blade size | size PH1 | | |

Important note

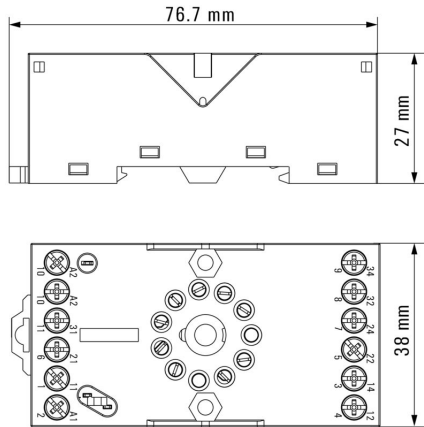
| | |
|---------------------|---|
| Product information | For this socket, a cross connection is not available. For this socket, markers are not available. |
|---------------------|---|

Classifications

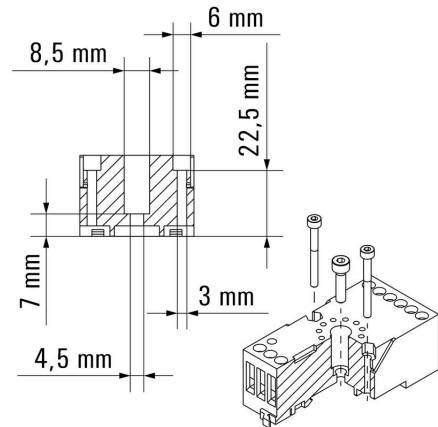
| | | | |
|-------------|-------------|-------------|-------------|
| ETIM 8.0 | EC001456 | ETIM 9.0 | EC001456 |
| ETIM 10.0 | EC001456 | ECLASS 14.0 | 27-37-16-03 |
| ECLASS 15.0 | 27-37-16-03 | | |

Drawings

Dimensional drawing



Dimensional drawing



Accessories

Protection modules



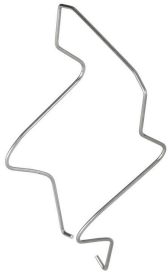
Pluggable protective modules for the D-SERIES relay sockets, with optional protective functions.

- With free-wheeling diode or RC filter

General ordering data

| | | | |
|------------|----------------------------|--|--|
| Type | RIM 5 6/230VAC | Version | |
| Order No. | 1174670000 | D-SERIES, RC filter, Rated control voltage: 6...230 V AC, Plug-in connection | |
| GTIN (EAN) | 4032248971312 | | |
| Qty. | 10 ST | | |
| Type | RIM 5 6/230VDC | Version | |
| Order No. | 1174650000 | D-SERIES, Free-wheeling diode, Rated control voltage: 6...230 V DC, Plug-in connection | |
| GTIN (EAN) | 4032248971305 | | |
| Qty. | 10 ST | | |

Retaining clips



Retaining clip for D-SERIES DRR relays

- Metal retaining clip

General ordering data

| | | | |
|------------|----------------------------|------------------------------|--|
| Type | DRR CLIP M | Version | |
| Order No. | 1134160000 | D-SERIES DRR, Retaining clip | |
| GTIN (EAN) | 4032248953479 | | |
| Qty. | 10 ST | | |

Crosshead screwdriver, Phillips



VDE insulated screwdriver sets, for working on live parts up to 1000 V AC and 1500 V DC, DIN EN 60900. IEC 900. Each piece is "GS" safety tested. Blade made from fully hardened, high-alloy chromium-vanadium-molybdenum steel, gun-metal finish.

SRD 3CO ECO

Weidmüller Interface GmbH & Co. KG
 Klingenbergstraße 26
 D-32758 Detmold
 Germany

www.weidmueller.com

Accessories

General ordering data

| | | | |
|------------|----------------------------|---|--|
| Type | SDIK SLIM PH1 X 80 | Version | |
| Order No. | 2749650000 | Screwdriver, Blade width (B): 1 mm, 80 mm, Blade thickness (A): 1 | |
| GTIN (EAN) | 4050118896398 | | |
| Qty. | 1 ST | | |

Crosshead screwdriver Phillips



VDE insulated crosshead screwdriver, for Phillips screws, SDIK PH DIN 7438, ISO 8764/2-PH, output to ISO 8764-PH, SoftFinish grip

General ordering data

| | | | |
|------------|----------------------------|---|--|
| Type | SDIK PH1 X 80 | Version | |
| Order No. | 2749890000 | Screwdriver, Blade width (B): 1 mm, 80 mm, Blade thickness (A): 1 | |
| GTIN (EAN) | 4050118897098 | | |
| Qty. | 1 ST | | |
| Type | SDK PH1 X 80 | Version | |
| Order No. | 2749410000 | Screwdriver, Blade width (B): 4.5 mm, 80 mm, Blade thickness (A): 1 | |
| GTIN (EAN) | 4050118895636 | | |
| Qty. | 1 ST | | |