

IE-FCM-NEUTRAL

Weidmüller Interface GmbH & Co. KG
Klingenbergstraße 26
D-32758 Detmold
Germany

www.weidmueller.com



General ordering data

Order No.	1124490000
Type	IE-FCM-NEUTRAL
GTIN (EAN)	4032248906291
Qty.	100 items

IE-FCM-NEUTRAL

Weidmüller Interface GmbH & Co. KG
 Klingenbergstraße 26
 D-32758 Detmold
 Germany

www.weidmueller.com

Technical data

Approvals

Approvals



ROHS	Conform
UL File Number Search	UL Website
Certificate no. (cULus)	E316369

Dimensions and weights

Wall thickness, min.	1 mm	Wall thickness, max.	5 mm
Net weight	10.73 g		

Temperatures

Storage temperature		Operating temperature	-40 °C...70 °C
Installation temperature			

Environmental Product Compliance

RoHS Compliance Status	Compliant without exemption
REACH SVHC	No SVHC above 0.1 wt%

General standards

Certificate no. (cULus)	E316369
-------------------------	---------

Classifications

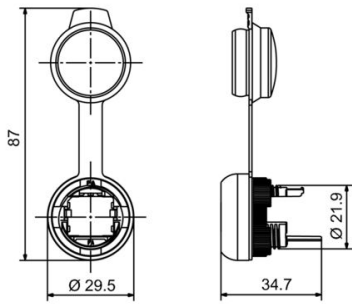
ETIM 8.0	EC001031	ETIM 9.0	EC001031
ETIM 10.0	EC001031	ECLASS 14.0	27-18-28-92
ECLASS 15.0	27-18-28-92		

IE-FCM-NEUTRAL

Weidmüller Interface GmbH & Co. KG
Klingenbergstraße 26
D-32758 Detmold
Germany

Drawings

www.weidmueller.com



Installation cut-out

