

## HDC IP68 24B MD 3M32

**Weidmüller Interface GmbH & Co. KG**  
 Klingenbergstraße 26  
 D-32758 Detmold  
 Germany

www.weidmueller.com



IP68



The RockStar® HighPower housings are manufactured from high-strength die-cast aluminium and offer perfect protection against harsh environmental conditions thanks to continual optimisation. The multi-part housing gives users the opportunity to examine work processes down to the last step in the workflow.

### General ordering data

Version	HDC enclosures, Installation size: 8, Protection degree: IP68, IP69, in plugged condition, Cover, Clamping yoke connection, Standard, Size of cable entries: M 32
Order No.	<a href="#">1119980000</a>
Type	HDC IP68 24B MD 3M32
GTIN (EAN)	4032248957316
Qty.	1 items

## HDC IP68 24B MD 3M32

Weidmüller Interface GmbH &amp; Co. KG

Klingenbergstraße 26

D-32758 Detmold

Germany

www.weidmueller.com

## Technical data

## Approvals

ROHS	Conform
------	---------

## Dimensions and weights

Depth	181 mm	Depth (inches)	7.126 inch
Height	19 mm	Height (inches)	0.748 inch
Width	57 mm	Width (inches)	2.2441 inch
Mounting dimension - width	164 mm	Net weight	437 g

## Temperatures

Limit temperature	-50 °C ... 120 °C
-------------------	-------------------

## Environmental Product Compliance

RoHS Compliance Status	Compliant without exemption	
REACH SVHC	No SVHC above 0.1 wt%	
Chemical resistance	Substance	Acetone
	Chemical resistance	Resistant
	Substance	Diesel oil
	Chemical resistance	Unstable
	Substance	Ethyl alcohol
	Chemical resistance	Resistant
	Substance	Transmission oil
	Chemical resistance	Conditionally resistant
	Substance	Hydraulic oil
	Chemical resistance	Conditionally resistant
	Substance	Petroleum benzine
	Chemical resistance	Unstable
	Substance	Sweat
	Chemical resistance	Conditionally resistant
	Substance	Premium gasoline
	Chemical resistance	Unstable
Substance	Water	
Chemical resistance	Resistant	
Substance	UV	
Chemical resistance	Resistant	
Substance	Ozone	
Chemical resistance	Resistant	

## General data

Number of poles	0	Tightening torque	11 Nm
Design of housing	Cover	Installation size	8
Colour	black, black (similar to RAL 9005)	Housing main material	diecast aluminium
Surface finish	Powder coating	Type	Cover
Series	HighPower	Free from halogens	false
EMC housings	Yes	BG	8
Material of locking element	Stainless steel, rust-proof	Protection degree	IP68, IP69, in plugged condition

**HDC IP68 24B MD 3M32**

**Weidmüller Interface GmbH & Co. KG**  
 Klingenbergstraße 26  
 D-32758 Detmold  
 Germany

www.weidmueller.com

**Technical data**

**General data**

Surface finish	Powder coating	Protection degree	IP68, IP69, in plugged condition
Series	HighPower		

**Version**

Size of cable entries	M 32	Top part/bottom part/lid	Cover
Cover	with cover	Tightening torque	11 Nm
Number of cable entry on top	3	Number of cable entry sideways	0
Design of housing	Cover	Design of locking system	Clamping yoke connection
Design	Standard	Installation size	8
Cable entry	w. thread	Type	Cover
Clamp version	Clamping yoke connection	Sealing	Silicone rubber
Internal thread	M 32	Colour (RAL)	RAL 9011, RAL 9005
BG	8		

**Important note**

Product information	Depending on the intended operation, internally generated voltages can superimpose the working voltage and contain corresponding peaks. It is imperative to ensure that these peak voltages do not exceed the rated voltage. For applications outside of this specification, please contact us.
---------------------	---

**Classifications**

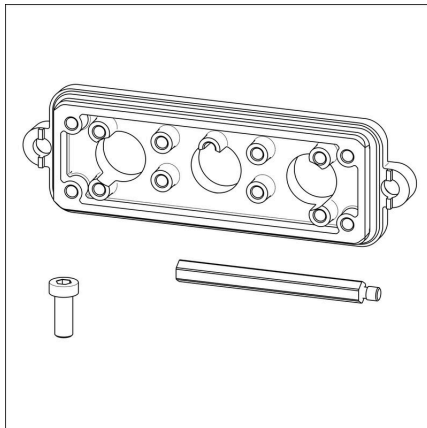
ETIM 8.0	EC000437	ETIM 9.0	EC000437
ETIM 10.0	EC000437	ECLASS 14.0	27-44-02-02
ECLASS 15.0	27-44-02-02		

**HDC IP68 24B MD 3M32**

**Weidmüller Interface GmbH & Co. KG**  
Klingenbergstraße 26  
D-32758 Detmold  
Germany

**Drawings**

[www.weidmueller.com](http://www.weidmueller.com)



## HDC IP68 24B MD 3M32

**Weidmüller Interface GmbH & Co. KG**  
 Klingenbergstraße 26  
 D-32758 Detmold  
 Germany

[www.weidmueller.com](http://www.weidmueller.com)

## Accessories

### Socket wrench sets



Allen key made from fully hardened, high-alloy chromium-vanadium-steel, acc. to DIN ISO 2936 L (DIN 911), high-quality refined surface.

### General ordering data

Type	SK WSD-S 1,5-10,0	Version	
Order No.	<a href="#">9008850000</a>	Mounting tool	
GTIN (EAN)	4032248266609		
Qty.	1 ST		

### IP68 version acc. to EN 45545



In addition to the extensive range of enclosures, Weidmüller offers a variety of cable glands for a wide range of applications. The cable glands made of brass, plastic and stainless steel meet the most various IP protection classes to suit any industrial enclosure. Depending on the series of cable glands and the application, the cable glands are approved and tested according to VDE, UL, UR, cULus, DNV GL or EN 45545.

### General ordering data

Type	VGM32-MS68 15-25 BG	Version	
Order No.	<a href="#">1193610000</a>	Heavy-duty connectors, Accessories, Cable glands, Brass, nickel-plated	
GTIN (EAN)	4032248976621		
Qty.	25 ST		
Type	VGM32-SS68 15-25 BG	Version	
Order No.	<a href="#">1193580000</a>	Heavy-duty connectors, Accessories, Cable glands, Stainless steel	
GTIN (EAN)	4032248976553	1.4305 (303)	
Qty.	25 ST		

### EMC Brass cable gland acc. to EN 45545



The increasing sensitivity of electronic components and the increasing electromagnetic interference frequencies require cable glands to play an important role in the shielding concept of a system. This type of EMC cable glands are made for shielding against interference frequencies, with a 360° screening connection. A Finger-locking seal provides superior cable retention & strain relief, next to it, the cable gland meets the mechanical requirements of EN 62444. Due to the patented design a very easy and fast assembly will be possible.

## HDC IP68 24B MD 3M32

**Weidmüller Interface GmbH & Co. KG**  
Klingenbergstraße 26  
D-32758 Detmold  
Germany

[www.weidmueller.com](http://www.weidmueller.com)

## Accessories

### General ordering data

Type	VGM32-MS68 EMC 15-25SET	Version	
Order No.	<a href="#">1463730000</a>	Accessories	
GTIN (EAN)	4050118269888		
Qty.	1 ST		