

HDC IP68 24B MD 3M40**Weidmüller Interface GmbH & Co. KG**

Klingenbergstraße 26

D-32758 Detmold

Germany

www.weidmueller.com

**IP68**

The RockStar® HighPower housings are manufactured from high-strength die-cast aluminium and offer perfect protection against harsh environmental conditions thanks to continual optimisation. The multi-part housing gives users the opportunity to examine work processes down to the last step in the workflow.

General ordering data

Version	HDC enclosures, Installation size: 8, Protection degree: IP68, IP69, in plugged condition, Cover, Clamping yoke connection, Standard, Size of cable entries: M 40
Order No.	1119970000
Type	HDC IP68 24B MD 3M40
GTIN (EAN)	4050118041484
Qty.	1 items

HDC IP68 24B MD 3M40

Weidmüller Interface GmbH & Co. KG
Klingenbergstraße 26
D-32758 Detmold
Germany

www.weidmueller.com

Technical data

Approvals

ROHS	Conform
------	---------

Dimensions and weights

Depth	181 mm	Depth (inches)	7.126 inch
Height	19 mm	Height (inches)	0.748 inch
Width	57 mm	Width (inches)	2.2441 inch
Mounting dimension - width	164 mm	Net weight	406.92 g

Temperatures

Limit temperature	-50 °C ... 120 °C
-------------------	-------------------

Environmental Product Compliance

RoHS Compliance Status	Compliant without exemption
REACH SVHC	No SVHC above 0.1 wt%

Chemical resistance	Substance	Acetone
	Chemical resistance	Resistant
	Substance	Diesel oil
	Chemical resistance	Unstable
	Substance	Ethyl alcohol
	Chemical resistance	Resistant
	Substance	Transmission oil
	Chemical resistance	Conditionally resistant
	Substance	Hydraulic oil
	Chemical resistance	Conditionally resistant
	Substance	Petroleum benzine
	Chemical resistance	Unstable
	Substance	Sweat
	Chemical resistance	Conditionally resistant
	Substance	Premium gasoline
	Chemical resistance	Unstable
	Substance	Water
Chemical resistance	Resistant	
Substance	UV	
Chemical resistance	Resistant	
Substance	Ozone	
Chemical resistance	Resistant	

General data

Number of poles	0	Design of housing	Cover
Installation size	8	Colour	black, black (similar to RAL 9005)
Surface finish	Powder coating	Type	Cover
Series	HighPower	Free from halogens	false
BG	8	Protection degree	IP68, IP69, in plugged condition

General data

Tightening torque	11 Nm	Housing main material	diecast aluminium
Surface finish	Powder coating	Protection degree	IP68, IP69, in plugged condition

HDC IP68 24B MD 3M40

Weidmüller Interface GmbH & Co. KG
 Klingenbergstraße 26
 D-32758 Detmold
 Germany

www.weidmueller.com

Technical data

Series	HighPower	EMC housings	Yes
Material of locking element	Stainless steel, rust-proof		

Version

Size of cable entries	M 40	Top part/bottom part/lid	Cover
Cover	with cover	Tightening torque	11 Nm
Number of cable entry on top	3	Number of cable entry sideways	0
Design of housing	Cover	Design of locking system	Clamping yoke connection
Design	Standard	Installation size	8
Cable entry	w. thread	Type	Cover
Clamp version	Clamping yoke connection	Sealing	Silicone rubber
Internal thread	M 40	Colour (RAL)	RAL 9011, RAL 9005
BG	8		

Important note

Product information	Depending on the intended operation, internally generated voltages can superimpose the working voltage and contain corresponding peaks. It is imperative to ensure that these peak voltages do not exceed the rated voltage. For applications outside of this specification, please contact us.
---------------------	---

Classifications

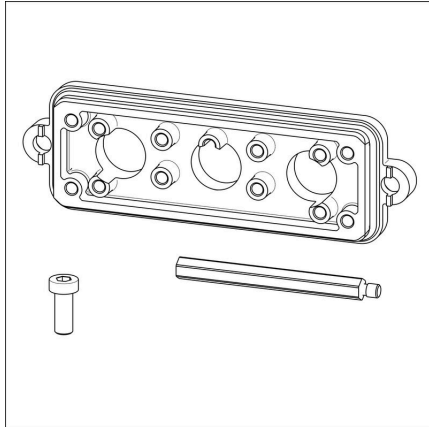
ETIM 8.0	EC000437	ETIM 9.0	EC000437
ETIM 10.0	EC000437	ECLASS 14.0	27-44-02-02
ECLASS 15.0	27-44-02-02		

HDC IP68 24B MD 3M40

Weidmüller Interface GmbH & Co. KG
Klingenbergstraße 26
D-32758 Detmold
Germany

Drawings

www.weidmueller.com



HDC IP68 24B MD 3M40

Weidmüller Interface GmbH & Co. KG
 Klingenbergstraße 26
 D-32758 Detmold
 Germany

www.weidmueller.com

Accessories

Socket wrench sets



Allen key made from fully hardened, high-alloy chromium-vanadium- steel, acc. to DIN ISO 2936 L (DIN 911), high-quality refined surface.

General ordering data

Type	SK WSD-S 1,5-10,0	Version	
Order No.	9008850000	Mounting tool	
GTIN (EAN)	4032248266609		
Qty.	1 ST		

IP68 version acc. to EN 45545



In addition to the extensive range of enclosures, Weidmüller offers a variety of cable glands for a wide range of applications. The cable glands made of brass, plastic and stainless steel meet the most various IP protection classes to suit any industrial enclosure. Depending on the series of cable glands and the application, the cable glands are approved and tested according to VDE, UL, UR, cULus, DNV GL or EN 45545.

General ordering data

Type	VGM40-MS68 20-32 BG	Version	
Order No.	1193620000	Heavy-duty connectors, Accessories, Cable glands, Brass, nickel-plated	
GTIN (EAN)	4032248976577		
Qty.	10 ST		
Type	VGM40-SS68 20-32 BG	Version	
Order No.	1193590000	Heavy-duty connectors, Accessories, Cable glands, Stainless steel	
GTIN (EAN)	4032248976614	1.4305 (303)	
Qty.	10 ST		
Type	VGM40/1-MS68 20-32 BG	Version	
Order No.	1205890000	Heavy-duty connectors, Accessories, Cable glands, Brass, nickel-plated	
GTIN (EAN)	4032248987818		
Qty.	10 ST		
Type	VGM40/1-SS68 20-32 BG	Version	
Order No.	1205920000	Heavy-duty connectors, Accessories, Cable glands, Stainless steel	
GTIN (EAN)	4032248987825	1.4305 (303)	
Qty.	10 ST		