

BVF 7.62HP SH150 4-6 KIT

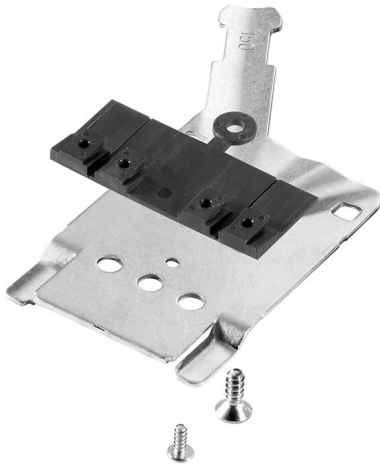
Weidmüller Interface GmbH & Co. KG

Klingenbergstraße 26

D-32758 Detmold

Germany

www.weidmueller.com



The pluggable connections for power electronics - optimised for modern drive technologies, e.g. motor starters, frequency converters and servo-controllers.

OMNIMATE Power sets the new standard – with increased safety and innovative solutions such as the pluggable shield, integrated signal contacts and one-handed operation.

The three product lines offer you further advantages:

- Application-oriented scalability: from the compact 4 mm² connector for 29 A (IEC) or 20 A (UL) up to the sturdy 16 mm² connector for 76 A (IEC) or 54 A (UL)
- Unlimited usage up to 1,000 V (IEC) or 600 V (UL)
- A variety of application optimised mounting options

Our service:

Design your individual connectors simply by using the product configurator.

General ordering data

| | |
|--------------|--|
| Version | PCB plug-in connector, Accessories, For a shield connection, black, Number of poles: 0 |
| Order No. | 1118480000 |
| Type | BVF 7.62HP SH150 4-6 KIT |
| GTIN (EAN) | 4032248899449 |
| Qty. | 25 items |
| Product data | |
| Packaging | Box |

BVF 7.62HP SH150 4-6 KIT

Weidmüller Interface GmbH & Co. KG
 Klingenbergstraße 26
 D-32758 Detmold
 Germany

www.weidmueller.com

Technical data
Approvals

| | |
|------|---------|
| ROHS | Conform |
|------|---------|

Dimensions and weights

| | |
|------------|---------|
| Net weight | 18.37 g |
|------------|---------|

Environmental Product Compliance

| | |
|------------------------|-----------------------------|
| RoHS Compliance Status | Compliant without exemption |
| REACH SVHC | No SVHC above 0.1 wt% |

Material data

| | | | |
|---------------------------------------|----------|---------------------------------------|----------|
| Colour | black | Colour chart (similar) | RAL 9011 |
| Contact material | Cu-alloy | Storage temperature, min. | -40 °C |
| Storage temperature, max. | 70 °C | Operating temperature, min. | -50 °C |
| Operating temperature, max. | 100 °C | Temperature range, installation, min. | -25 °C |
| Temperature range, installation, max. | 100 °C | | |

Rated data acc. to IEC

| | |
|-------------------------|------------------------|
| tested acc. to standard | IEC 60664-1, IEC 61984 |
|-------------------------|------------------------|

Packing

| | | | |
|-----------|----------|------------|-----------|
| Packaging | Box | VPE length | 177.00 mm |
| VPE width | 99.00 mm | VPE height | 54.00 mm |

Important note

| | |
|----------------|--|
| IPC conformity | Conformity: The products are developed, manufactured and delivered according international recognized standards and norms and comply with the assured properties in the data sheet resp. fulfill decorative properties in accordance with IPC-A-610 "Class 2". Further claims on the products can be evaluated on request. |
|----------------|--|

| | |
|-------|--|
| Notes | <ul style="list-style-type: none"> Long term storage of the product with average temperature of 50 °C and maximum humidity 70%, 36 months |
|-------|--|

Classifications

| | | | |
|-------------|-------------|-------------|-------------|
| ETIM 8.0 | EC002943 | ETIM 9.0 | EC002943 |
| ETIM 10.0 | EC002943 | ECLASS 14.0 | 27-46-04-05 |
| ECLASS 15.0 | 27-46-04-05 | | |

BVF 7.62HP SH150 4-6 KIT

Weidmüller Interface GmbH & Co. KG
Klingenbergstraße 26
D-32758 Detmold
Germany

Drawings

www.weidmueller.com

Dimensional drawing

