

**BG GHDE HO SA UL PT6****Weidmüller Interface GmbH & Co. KG**

Klingenbergstraße 26

D-32758 Detmold

Germany

www.weidmueller.com



The FieldPower® housings are highly robust and meet the highest UL flammability class 5 VA.

- The "TS 35 PT6" mounting rail module and PT6 contact unit are easy to snap on.
- Hinged seals allow pre-assembled plug cables to also be used.
- The high cover versions enable the device to be installed.

For cable seals consult accessories.

**General ordering data**

Version	FieldPower® enclosures, 181 mm, 104 mm, 122 mm, IP65, in complete state, glass-fibre reinforced polycarbonate, black, Maintenance switch
Order No.	<a href="#">1113120000</a>
Type	BG GHDE HO SA UL PT6
GTIN (EAN)	4032248891887
Qty.	1 items

**BG GHDE HO SA UL PT6**

**Weidmüller Interface GmbH & Co. KG**  
 Klingenbergstraße 26  
 D-32758 Detmold  
 Germany

www.weidmueller.com

**Technical data**

**Approvals**

ROHS Conform

**Dimensions and weights**

Depth	122 mm	Depth (inches)	4.8031 inch
Height	181 mm	Height (inches)	7.126 inch
Width	104 mm	Width (inches)	4.0945 inch
Net weight	540 g		

**Temperatures**

Storage temperature -40 °C...55 °C      Operating temperature -40 °C...45 °C

**Environmental Product Compliance**

RoHS Compliance Status	Compliant with exemption		
RoHS Exemption (if applicable/known)	6c		
REACH SVHC	Lead 7439-92-1, Potassium perfluorobutane sulfonate 29420-49-3		
SCIP	7645f3b1-6db9-495d-9e21-ab1d894aff05		

**General data**

Basic material	Plastic, GRP	Insulating material	GF 10
Enclosure material	glass-fibre reinforced polycarbonate	Silicone	No
Colour	black	Protection degree	IP65, in complete state
UL 94 flammability rating	5VA	Torque for lid screws	2 Nm
Lid attachment	TX20 screws	Installation advice	Lid screws included
Function	Maintenance switch	Type of connection, signal	M12, A-coded

**Technical data Switch**

Terminals - torque	0.8 Nm	Wire connection cross section AWG, max.	AWG 8
Switch type	ABB OT16FT3	Operating voltage	440 V
Wire connection cross section AWG, min.	AWG 18	Pollution severity	3
Power rating AC-23A	7.5 kW	Rated current AC-23A	16 A
auxiliary contact	ABB OA1G10	Switch according to standard	IEC 60947-3
Clamping range, plug, min.	0.75 mm <sup>2</sup>	Clamping range, plug, max.	10 mm <sup>2</sup>

**Classifications**

ETIM 8.0	EC000261	ETIM 9.0	EC000261
ETIM 10.0	EC000261	ECLASS 14.0	27-18-01-01
ECLASS 15.0	27-18-01-01		

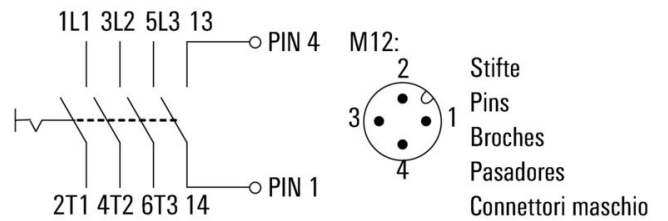
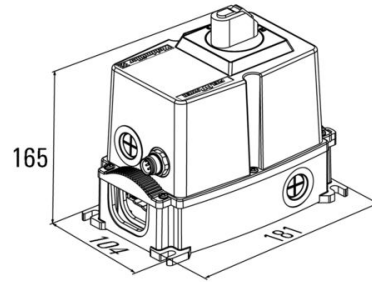
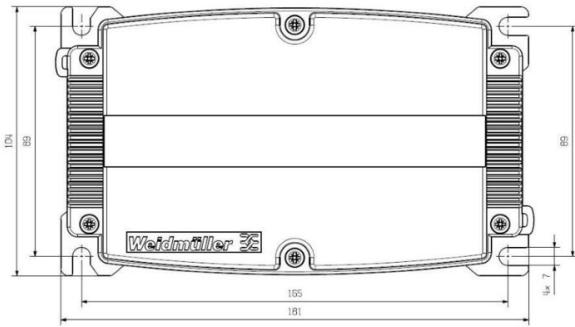
**BG GHDE HO SA UL PT6**

**Weidmüller Interface GmbH & Co. KG**  
 Klingenbergstraße 26  
 D-32758 Detmold  
 Germany

**Drawings**

www.weidmueller.com

**Drilling template**



## BG GHDE HO SA UL PT6

**Weidmüller Interface GmbH & Co. KG**  
 Klingenbergstraße 26  
 D-32758 Detmold  
 Germany

www.weidmueller.com

## Accessories

### IP68 version



In addition to the extensive range of enclosures, Weidmüller offers a variety of cable glands for a wide range of applications. The cable glands made of brass, plastic and stainless steel meet the most various IP protection classes to suit any industrial enclosure. Depending on the series of cable glands and the application, the cable glands are approved and tested according to VDE, UL, UR, cULus, DNV GL or EN 45545.

### General ordering data

Type	VG M20 - K 68	Version
Order No.	<a href="#">2811470000</a>	VG K (standard plastic cable gland), Cable glands, straight, M 20, 10 mm, OD min. 10 - OD max. 14 mm, IP54, IP66, IP67, IP68 - 5 bar (30 min.), Polyamide 6
GTIN (EAN)	4064675292227	
Qty.	50 ST	
Type	VG M20-1/K68	Version
Order No.	<a href="#">1772300000</a>	VG K (standard plastic cable gland), Cable glands, straight, M 20, 10 mm, OD min. 6 - OD max. 12 mm, IP54, IP66, IP67, IP68 - 5 bar (30 min.), Polyamide 6
GTIN (EAN)	4032248129966	
Qty.	50 ST	

### Plastic lock nuts, grey



In addition to cable glands for a wide range of applications, the product portfolio is rounded off by plugs, pressure compensation elements, adaptors and the corresponding accessories such as locknuts, sealing rings, flat washers and earthing rings.

### General ordering data

Type	SKMU M20 - K GR	Version
Order No.	<a href="#">1772460000</a>	SKMU PA (plastic locknut), Locknut, M 20, 6 mm, Polyamid 6 (PA6 - GF30)
GTIN (EAN)	4032248130207	
Qty.	100 ST	

### DMS PRO



Weidmüller torque screwdrivers have an ergonomic design and are therefore ideal for use with one hand. They can be used without causing fatigue in all installation positions. Apart from that, they incorporate an automatic torque limiter and have a good reproducibility accuracy.

## BG GHDE HO SA UL PT6

**Weidmüller Interface GmbH & Co. KG**

Klingenbergstraße 26  
D-32758 Detmold  
Germany

[www.weidmueller.com](http://www.weidmueller.com)

## Accessories

### General ordering data

Type	DMS PRO	Version	
Order No.	<a href="#">1479120000</a>	Mounting tool	
GTIN (EAN)	4050118287011		
Qty.	1 ST		

### Bits E6,3 - Torx®



The Weidmüller bits are standard bits which are highly popular with users thanks to their good quality, large range and efficiency. The computer-controlled hardening method enables Weidmüller to guarantee a consistently high standard of quality.

The high-quality raw materials used make it possible to reach torques far higher than any of those specified in the relevant DIN standards:

- DIN 5261 for PH/PZ bits,
- DIN 5263 for slotted bits,
- Camcar standard for TORX bits

That means a long life at high torques and hence ideal conditions for standard situations.

The benefits:

- Suitable for all types of screws. Because of their excellent hardness values of 59-61 HRC, they are suitable for use with both manual and power tools.
- Good wearing resistance and thus a long life expectancy.
- Optimum fit in all DIN screws means low wear and optimum torque transmission.
- Manufactured to meet professional quality criteria according to relevant ISO standards with a consistently high standard of quality.

### General ordering data

Type	BIT E6,3 T20 X 150	Version	
Order No.	<a href="#">2821510000</a>	Mounting tool	
GTIN (EAN)	4064675359050		
Qty.	5 ST		

### Size 1



The FieldPower® housings are highly robust and meet the highest UL flammability class 5 VA.

- The "TS 35 PT6" mounting rail module and PT6 contact unit are easy to snap on.
- Hinged seals allow pre-assembled plug cables to also be used.
- The high cover versions enable the device to be installed.

For cable seals consult accessories.

## BG GHDE HO SA UL PT6

**Weidmüller Interface GmbH & Co. KG**  
Klingenbergstraße 26  
D-32758 Detmold  
Germany

[www.weidmueller.com](http://www.weidmueller.com)

## Accessories

### General ordering data

Type	GH PT6	Version	
Order No.	<a href="#">1070140000</a>	FieldPower® enclosures, 181 mm, 104 mm, 42 mm, IP65, in	
GTIN (EAN)	4032248825813	complete state, glass-fibre reinforced polycarbonate, black	
Qty.	10 ST		