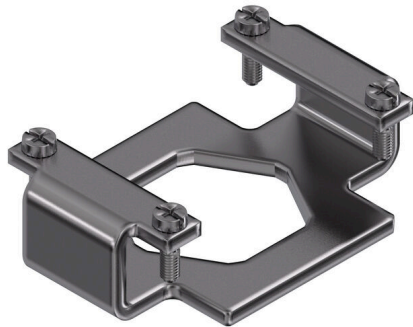


HDC 06B HP250 MPL1

Weidmüller Interface GmbH & Co. KG
Klingenbergstraße 26
D-32758 Detmold
Germany

www.weidmueller.com



The RockStar® HighPower housings are manufactured from high-strength die-cast aluminium and offer perfect protection against harsh environmental conditions thanks to continual optimisation. The multi-part housing gives users the opportunity to examine work processes down to the last step in the workflow.

General ordering data

Version	HDC insert, Number of poles: 1, Installation size: 3
Order No.	1103680000
Type	HDC 06B HP250 MPL1
GTIN (EAN)	4032248877942
Qty.	1 items

HDC 06B HP250 MPL1

Weidmüller Interface GmbH & Co. KG
 Klingenbergstraße 26
 D-32758 Detmold
 Germany

www.weidmueller.com

Technical data

Approvals

Approvals



ROHS Conform

Dimensions and weights

Height	19 mm	Height (inches)	0.748 inch
Width	42 mm	Width (inches)	1.6535 inch
Length	59 mm	Length (inches)	2.3228 inch
Mounting dimension - height	44 mm	Mounting dimension - width	27 mm
Net weight	45.86 g		

Environmental Product Compliance

RoHS Compliance Status Compliant without exemption
 REACH SVHC No SVHC above 0.1 wt%

General data

Number of poles	1	Installation size	3
UL 94 flammability rating	None	Colour	Silver grey
Basic material	Stainless steel, rust-proof	Series	HighPower
Free from halogens	false	BG	3

General data

Colour	Silver grey	Basic material	Stainless steel, rust-proof
Series	HighPower		

Important note

Product information Depending on the intended operation, internally generated voltages can superimpose the working voltage and contain corresponding peaks. It is imperative to ensure that these peak voltages do not exceed the rated voltage. For applications outside of this specification, please contact us.

Classifications

ETIM 8.0	EC002943	ETIM 9.0	EC002943
ETIM 10.0	EC002943	ECLASS 14.0	27-44-02-06
ECLASS 15.0	27-44-02-06		

HDC 06B HP250 MPL1

Weidmüller Interface GmbH & Co. KG
Klingenbergstraße 26
D-32758 Detmold
Germany

Drawings

www.weidmueller.com

