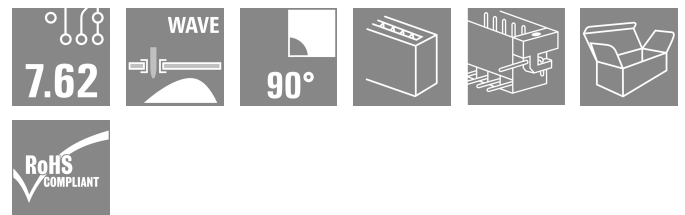
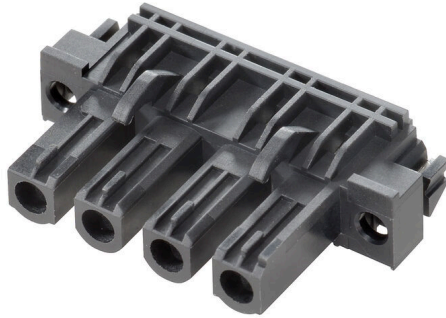


## BLL 7.62HP/04/90LF 3.2SN BK BX

**Weidmüller Interface GmbH & Co. KG**  
 Klingenbergstraße 26  
 D-32758 Detmold  
 Germany

www.weidmueller.com



90° female header for the PCB with a pitch of 7.62.  
 Meets IEC 61800-5-1 requirements and enables UL approval as per UL840 600 V. Ideal touch-safe solution for the power output and intermediate circuit applications.  
 The mating profile guarantees touch safety of >3 mm as per IEC61800-5-1.  
 Variants: without flange, flange version, soldered flange version.

### General ordering data

|                 |   |
|-----------------|---|
| Version         | PCB plug-in connector, female header, Solder flange, THT solder connection, 7.62 mm, Number of poles: 4, 90°, Solder pin length (l): 3.2 mm, tinned, black, Box |
| Order No.       | <a href="#">1095660000</a>  |
| Type            | BLL 7.62HP/04/90LF 3.2SN BK BX  |
| GTIN (EAN)      | 4032248868568   |
| Qty.            | 42 items  |
| Product data    | IEC: 630 V / 24 A<br>UL: 300 V / 20 A   |
| Packaging       | Box   |
| Delivery status | This article will no longer be available in the future.   |
| Last order date | 2027-11-30T00:00:00+01:00   |
| Creation date   | 27.06.2026 07:38:23 MEZ   |

## BLL 7.62HP/04/90LF 3.2SN BK BX

Weidmüller Interface GmbH & Co. KG  
Klingenbergstraße 26  
D-32758 Detmold  
Germany

www.weidmueller.com

## Technical data

## Approvals

Approvals



|                         |                            |
|-------------------------|----------------------------|
| ROHS                    | Conform                    |
| UL File Number Search   | <a href="#">UL Website</a> |
| Certificate No. (cURus) | E60693                     |

## Dimensions and weights

|            |          |                 |             |
|------------|----------|-----------------|-------------|
| Depth      | 24.5 mm  | Depth (inches)  | 0.9646 inch |
| Height     | 13.7 mm  | Height (inches) | 0.5394 inch |
| Width      | 39.66 mm | Width (inches)  | 1.5614 inch |
| Net weight | 6.68 g   |                 |             |

## Environmental Product Compliance

|                        |                             |
|------------------------|-----------------------------|
| RoHS Compliance Status | Compliant without exemption |
| REACH SVHC             | No SVHC above 0.1 wt%       |

## System Parameters

|   |   |   |                        |
|---|---|---|------------------------|
| Product family                                | OMNIMATE Power - series<br>BL/SL 7.62HP | Type of connection                              | Board connection       |
| Pitch in mm (P)                               | 7.62 mm                                 | Pitch in inches (P)                             | 0.300 "                |
| Number of poles                               | 4                                       | L1 in mm  | 22.86 mm               |
| L1 in inches                                  | 0.900 "                                 | Number of rows                                  | 1                      |
| Pin series quantity                           | 1                                       | Touch-safe protection acc. to DIN VDE<br>57 106 | Safe from finger touch |
| Touch-safe protection acc. to DIN VDE<br>0470 | IP 20                                   | Can be coded                                    | Yes                    |
| Plugging force/pole, max.                     | 10 N                                    | Pulling force/pole, max.                        | 7 N                    |

## Material data

|                                       |                            |                                       |                                   |
|---------------------------------------|----------------------------|---------------------------------------|-----------------------------------|
| Insulating material                   | PA GF                      | Colour                                | black                             |
| Colour chart (similar)                | RAL 9011                   | Insulating material group             | IIla                              |
| Comparative Tracking Index (CTI)      | ≥ 200                      | Moisture Level (MSL)                  |                                   |
| UL 94 flammability rating             | V-0                        | Contact material                      | Cu-alloy                          |
| Contact surface                       | tinned                     | Layer structure of solder connection  | 2...3 µm Ni / 2...4 µm Sn<br>matt |
| Layer structure of plug contact       | 4...8 µm Sn hot-dip tinned | Storage temperature, min.             | -40 °C                            |
| Storage temperature, max.             | 70 °C                      | Operating temperature, min.           | -50 °C                            |
| Operating temperature, max.           | 100 °C                     | Temperature range, installation, min. | -25 °C                            |
| Temperature range, installation, max. | 100 °C                     |                                       |                                   |

## Rated data acc. to IEC

|   |                        |   |       |
|---|------------------------|---|-------|
| tested acc. to standard   | IEC 60664-1, IEC 61984 | Rated current, min. number of poles<br>(Tu=20°C)                  | 24 A  |
| Rated current, max. number of poles<br>(Tu=20°C)                  | 24 A                   | Rated current, min. number of poles<br>(Tu=40°C)                  | 24 A  |
| Rated current, max. number of poles<br>(Tu=40°C)                  | 21 A                   | Rated voltage for surge voltage class /<br>pollution degree II/2  | 630 V |
| Rated voltage for surge voltage class /<br>pollution degree III/2 | 630 V                  | Rated voltage for surge voltage class /<br>pollution degree III/3 | 400 V |

## BLL 7.62HP/04/90LF 3.2SN BK BX

**Weidmüller Interface GmbH & Co. KG**  
 Klingenbergstraße 26  
 D-32758 Detmold  
 Germany

www.weidmueller.com

## Technical data

|   |        |   |                   |
|---|--------|---|-------------------|
| Rated impulse voltage for surge voltage class/ pollution degree II/2      | 4 kV   | Rated impulse voltage for surge voltage class/ pollution degree III/2 | 6 kV              |
| Rated impulse voltage for surge voltage class/ contamination degree III/3 | 6 kV   | Short-time withstand current resistance                               | 3 x 1s with 180 A |
| Creepage distance, min.   | 7.8 mm | Clearance, min.   | 7.2 mm            |

### Rated data acc. to CSA

|                                   |  |                                   |                |
|-----------------------------------|--|-----------------------------------|----------------|
| Institute (CSA)                   | CSA  | Certificate No. (CSA)             | 200039-1121690 |
| Rated voltage (Use group B / CSA) | 300 V  | Rated voltage (Use group C / CSA) | 150 V          |
| Rated voltage (Use group D / CSA) | 300 V  | Rated current (Use group B / CSA) | 20 A           |
| Rated current (Use group C / CSA) | 20 A   | Rated current (Use group D / CSA) | 10 A           |
| Reference to approval values      | Specifications are maximum values, details - see approval certificate. |                                   |                |

### Rated data acc. to UL 1059

|                                       |  |                                       |        |
|---------------------------------------|--|---------------------------------------|--------|
| Institute (cURus)                     | CURUS  | Certificate No. (cURus)               | E60693 |
| Rated voltage (Use group B / UL 1059) | 300 V  | Rated voltage (Use group C / UL 1059) | 150 V  |
| Rated voltage (Use group D / UL 1059) | 300 V  | Rated current (Use group B / UL 1059) | 20 A   |
| Rated current (Use group C / UL 1059) | 20 A   | Rated current (Use group D / UL 1059) | 10 A   |
| Creepage distance, min.               | 7.8 mm   | Clearance distance, min.              | 7.2 mm |
| Reference to approval values          | Specifications are maximum values, details - see approval certificate. |                                       |        |

### Packing

|           |           |            |           |
|-----------|-----------|------------|-----------|
| Packaging | Box       | VPE length | 350.00 mm |
| VPE width | 139.00 mm | VPE height | 32.00 mm  |

### Important note

|                |   |
|----------------|---|
| IPC conformity | Conformity: The products are developed, manufactured and delivered according international recognized standards and norms and comply with the assured properties in the data sheet resp. fulfill decorative properties in accordance with IPC-A-610 "Class 2". Further claims on the products can be evaluated on request.  |
| Notes          | <ul style="list-style-type: none"> <li>• Additional variants on request</li> <li>• Gold-plated contact surfaces on request</li> <li>• Spacing between rows: see hole layout</li> <li>• Rated current related to rated cross-section &amp; min. No. of poles.</li> <li>• P on drawing = pitch</li> <li>• Rated data refer only to the component itself. Clearance and creepage distances to other components are to be designed in accordance with the relevant application standards.</li> <li>• In accordance with IEC 61984, OMNIMATE-connectors are connectors without breaking capacity (COC). During designated use, connectors are not allowed to be engaged or disengaged when live or under load</li> <li>• Long term storage of the product with average temperature of 50 °C and maximum humidity 70%, 36 months</li> </ul> |

### Classifications

|             |             |             |             |
|-------------|-------------|-------------|-------------|
| ETIM 8.0    | EC002637    | ETIM 9.0    | EC002637    |
| ETIM 10.0   | EC002637    | ECLASS 14.0 | 27-46-02-01 |
| ECLASS 15.0 | 27-46-02-01 |             |             |

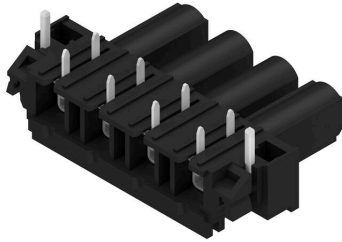
**BLL 7.62HP/04/90LF 3.2SN BK BX**

Weidmüller Interface GmbH & Co. KG  
 Klingenbergstraße 26  
 D-32758 Detmold  
 Germany

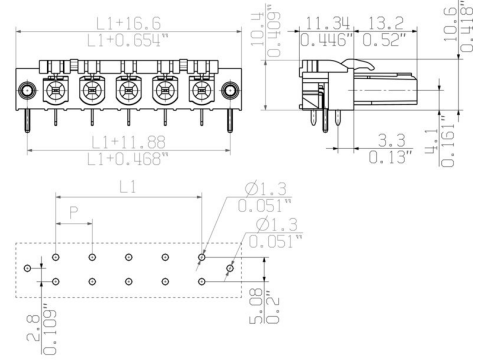
www.weidmueller.com

Drawings

Product image



Dimensional drawing



Graph

BLL 7.62HP/./90 - SLZ 7.62HP/./180



Graph

BLL 7.62HP/./90 - SLF 7.62HP/./180



Graph

BLL 7.62HP/./90 - SLZ 7.62HP/./180



## BLL 7.62HP/04/90LF 3.2SN BK BX

**Weidmüller Interface GmbH & Co. KG**  
 Klingenbergstraße 26  
 D-32758 Detmold  
 Germany

www.weidmueller.com

# Accessories

## Coding elements



Only connects what is supposed to be connected: the right connection at the right place.  
 Coding elements and locking devices clearly assign connecting elements during the manufacturing process and operation  
 The coding elements and locking devices are inserted prior to assembly or during the cable assembly phase. The Weidmüller alternative: configure online using the variant configurator to precode prior to delivery. Incorrect assembly on the circuit board and incorrect plugging of connecting elements is no longer possible. The advantage: no troubleshooting during manufacture and no operational errors by the user.

## General ordering data

|            |                            |  |
|------------|----------------------------|--|
| Type       | BLZ/SL KO OR BX            | Version  |
| Order No.  | <a href="#">1573010000</a> | PCB plug-in connector, Accessories, Coding element, orange, Number |
| GTIN (EAN) | 4008190048396              | of poles: 1  |
| Qty.       | 100 ST                     |  |
| Type       | BLZ/SL KO BK BX            | Version  |
| Order No.  | <a href="#">1545710000</a> | PCB plug-in connector, Accessories, Coding element, black, Number  |
| GTIN (EAN) | 4008190087142              | of poles: 1  |
| Qty.       | 50 ST                      |  |

## BLL 7.62HP/04/90LF 3.2SN BK BX

**Weidmüller Interface GmbH & Co. KG**  
 Klingenbergstraße 26  
 D-32758 Detmold  
 Germany

www.weidmueller.com

## Counterpart

### SLF 7.62HP/180F



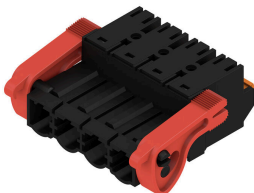
180° inverted male header with PUSH-IN connection technology for field wiring in 2.5 mm<sup>2</sup> with a 7.62 pitch. Also ideal as a touch-safe solution for inverse voltages. Meets the requirements of UL1059 600 V class C and IEC 61800-5-1.

Variants: available without flange, with external flange, with release latch.

#### General ordering data

|            |                            |   |
|------------|----------------------------|---|
| Type       | SLF 7.62HP/04/180F SN B... | Version   |
| Order No.  | <a href="#">1043690000</a> | PCB plug-in connector, male plug, 7.62 mm, Number of poles: 4,  |
| GTIN (EAN) | 4032248775262              | 180°, PUSH IN with actuator, Tension-clamp connection, Clamping |
| Qty.       | 42 ST                      | range, max. : 2.5 mm <sup>2</sup> , Box                         |
| Type       | SLF 7.62HP/04/180F SN O... | Version   |
| Order No.  | <a href="#">1043650000</a> | PCB plug-in connector, male plug, 7.62 mm, Number of poles: 4,  |
| GTIN (EAN) | 4032248775224              | 180°, PUSH IN with actuator, Tension-clamp connection, Clamping |
| Qty.       | 42 ST                      | range, max. : 2.5 mm <sup>2</sup> , Box                         |

### SLF 7.62HP/180LR



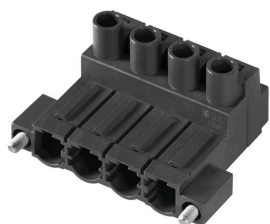
180° inverted male header with PUSH-IN connection technology for field wiring in 2.5 mm<sup>2</sup> with a 7.62 pitch. Also ideal as a touch-safe solution for inverse voltages. Meets the requirements of UL1059 600 V class C and IEC 61800-5-1.

Variants: available without flange, with external flange, with release latch.

#### General ordering data

|            |                            |   |
|------------|----------------------------|---|
| Type       | SLF 7.62HP/04/180LR SN ... | Version   |
| Order No.  | <a href="#">1043770000</a> | PCB plug-in connector, male plug, 7.62 mm, Number of poles: 4,  |
| GTIN (EAN) | 4032248775347              | 180°, PUSH IN with actuator, Tension-clamp connection, Clamping |
| Qty.       | 42 ST                      | range, max. : 2.5 mm <sup>2</sup> , Box                         |

### SLZ 7.62HP/180F



180° inverted male header with clamping yoke connection for field wiring in 2.5 mm<sup>2</sup> with a 7.62 pitch. Also ideal as a touch-safe solution for inverse voltages. Meets the requirements of UL1059 600 V class C and IEC 61800-5-1.

Variants: available without flange, with external flange or with release latch.

## BLL 7.62HP/04/90LF 3.2SN BK BX

**Weidmüller Interface GmbH & Co. KG**  
Klingenbergstraße 26  
D-32758 Detmold  
Germany

[www.weidmueller.com](http://www.weidmueller.com)

# Counterpart

### General ordering data

|            |                            |   |
|------------|----------------------------|---|
| Type       | SLZ 7.62HP/04/180F SN B... | Version   |
| Order No.  | <a href="#">1043450000</a> | PCB plug-in connector, male plug, 7.62 mm, Number of poles: 4,  |
| GTIN (EAN) | 4032248775026              | 180°, Clamping yoke connection, Clamping range, max. : 2.5 mm², |
| Qty.       | 42 ST                      | Box   |