

HDC IP68 10B TOS 1PG16

Weidmüller Interface GmbH & Co. KG

Klingenbergstraße 26

D-32758 Detmold

Germany

www.weidmueller.com



The new RockStar® enclosures are resistant to seawater and offer a high degree of shock resistance, meet IP 68 and IP 69K, and have been developed for use under extreme environmental conditions and designed for the high vibration requirements acc. to DIN EN 61373 cat. 2 (bogie). As such, this housing family is ideally suited for fault- and maintenance-free operation of heavy-duty connectors in transport and traffic engineering as well as in power engineering and in applications with extreme requirements. During development, measures were also implemented to make the enclosures extremely EMC-resistant.

General ordering data

Version	HDC enclosures, Installation size: 4, Protection degree: IP66, IP68, IP69, in plugged condition, Plug housing, Clamping yoke connection, Standard, Size of cable entries: PG 16
Order No.	1082620000
Type	HDC IP68 10B TOS 1PG16
GTIN (EAN)	4032248845910
Qty.	1 items

HDC IP68 10B TOS 1PG16

Weidmüller Interface GmbH & Co. KG
 Klingenbergstraße 26
 D-32758 Detmold
 Germany

www.weidmueller.com

Technical data

Approvals

Approvals



ROHS Conform

Dimensions and weights

Depth	144 mm	Depth (inches)	5.6693 inch
Height	101 mm	Height (inches)	3.9764 inch
Width	58 mm	Width (inches)	2.2835 inch
Net weight	483 g		

Temperatures

Limit temperature -50 °C ... 125 °C

Environmental Product Compliance

RoHS Compliance Status Compliant without exemption
 REACH SVHC No SVHC above 0.1 wt%

Chemical resistance	Substance	Acetone
	Chemical resistance	Resistant
	Substance	Diesel oil
	Chemical resistance	Unstable
	Substance	Ethyl alcohol
	Chemical resistance	Resistant
	Substance	Transmission oil
	Chemical resistance	Conditionally resistant
	Substance	Hydraulic oil
	Chemical resistance	Conditionally resistant
	Substance	Petroleum benzine
	Chemical resistance	Unstable
	Substance	Sweat
	Chemical resistance	Conditionally resistant
	Substance	Premium gasoline
	Chemical resistance	Unstable
	Substance	Water
Chemical resistance	Resistant	
Substance	UV	
Chemical resistance	Resistant	
Substance	Ozone	
Chemical resistance	Resistant	

Dimensions

Cable entry	w. thread	Total length housing	144 mm
Height of housing B	101 mm		

General data

Surface finish	Powder coating	Protection degree	IP66, IP68, IP69, in plugged condition
----------------	----------------	-------------------	--

HDC IP68 10B TOS 1PG16

Weidmüller Interface GmbH & Co. KG
 Klingenbergstraße 26
 D-32758 Detmold
 Germany

www.weidmueller.com

Technical data

Version

Number of cable glands	0	Size of cable entries	PG 16
Top part/bottom part/lid	upper part	Cover	without cover
Tightening torque	6.5 Nm	Number of cable entry on top	1
Number of cable entry sideways	0	Design of housing	Plug housing
Design of locking system	Clamping yoke connection	Design	Standard
Installation size	4	Cable entry	w. thread
Type	Plug	Clamp version	Clamping yoke connection
Sealing	no sealing	Internal thread	PG 16
Colour (RAL)	RAL 9011, RAL 9005	BG	4
Suitable for ModuPlug®	Yes		

Classifications

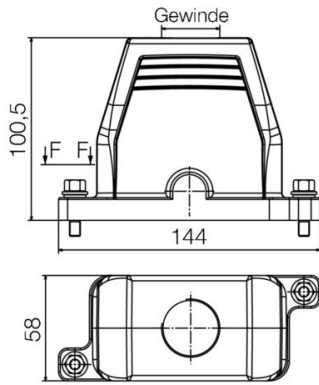
ETIM 8.0	EC000437	ETIM 9.0	EC000437
ETIM 10.0	EC000437	ECLASS 14.0	27-44-02-02
ECLASS 15.0	27-44-02-02		

HDC IP68 10B TOS 1PG16

Weidmüller Interface GmbH & Co. KG
Klingenbergstraße 26
D-32758 Detmold
Germany

Drawings

www.weidmueller.com



HDC IP68 10B TOS 1PG16

Weidmüller Interface GmbH & Co. KG
 Klingenbergstraße 26
 D-32758 Detmold
 Germany

www.weidmueller.com

Accessories

Socket wrench sets



Allen key made from fully hardened, high-alloy chromium-vanadium- steel, acc. to DIN ISO 2936 L (DIN 911), high-quality refined surface.

General ordering data

Type	SK WSD-S 1,5-10,0	Version	
Order No.	9008850000	Mounting tool	
GTIN (EAN)	4032248266609		
Qty.	1 ST		

Screws



We offer a variety of accessories, including screws, that fit to the heavy-duty connectors.

General ordering data

Type	HDC IP68 SCREW SET	Version	
Order No.	2555340000	Heavy-duty connectors, Accessories, Set of fixings	
GTIN (EAN)	4050118571332		
Qty.	10 ST		