

## HDC IP68 06B TOS 1M25

**Weidmüller Interface GmbH & Co. KG**  
 Klingenbergstraße 26  
 D-32758 Detmold  
 Germany

[www.weidmueller.com](http://www.weidmueller.com)

### Product image



The new RockStar® enclosures are resistant to seawater and offer a high degree of shock resistance, meet IP 68 and IP 69K, and have been developed for use under extreme environmental conditions and designed for the high vibration requirements acc. to DIN EN 61373 cat. 2 (bogie). As such, this housing family is ideally suited for fault- and maintenance-free operation of heavy-duty connectors in transport and traffic engineering as well as in power engineering and in applications with extreme requirements. During development, measures were also implemented to make the enclosures extremely EMC-resistant.

### General ordering data

Version	HDC enclosures, Installation size: 3, Protection degree: IP66, IP68, IP69, in plugged condition, Plug housing, Clamping yoke connection, Standard, Size of cable entries: M 25
Order No.	<a href="#">1082430000</a>
Type	HDC IP68 06B TOS 1M25
GTIN (EAN)	4032248845620
Qty.	1 items

**HDC IP68 06B TOS 1M25**

**Weidmüller Interface GmbH & Co. KG**  
 Klingenbergstraße 26  
 D-32758 Detmold  
 Germany

www.weidmueller.com

**Technical data**

**Approvals**

Approvals



ROHS Conform

**Dimensions and weights**

Height	100 mm	Height (inches)	3.937 inch
Width	58 mm	Width (inches)	2.2835 inch
Net weight	449 g		

**Temperatures**

Limit temperature -50 °C ... 125 °C

**Environmental Product Compliance**

RoHS Compliance Status Compliant without exemption

REACH SVHC No SVHC above 0.1 wt%

Chemical resistance	Substance	Acetone
	Chemical resistance	Resistant
	Substance	Diesel oil
	Chemical resistance	Unstable
	Substance	Ethyl alcohol
	Chemical resistance	Resistant
	Substance	Transmission oil
	Chemical resistance	Conditionally resistant
	Substance	Hydraulic oil
	Chemical resistance	Conditionally resistant
	Substance	Petroleum benzine
	Chemical resistance	Unstable
	Substance	Sweat
	Chemical resistance	Conditionally resistant
	Substance	Premium gasoline
	Chemical resistance	Unstable
	Substance	Water
	Chemical resistance	Resistant
	Substance	UV
	Chemical resistance	Resistant
Substance	Ozone	
Chemical resistance	Resistant	

**Dimensions**

Cable entry	w. thread	Total length housing	132 mm
Height of housing B	100 mm		

**General data**

Surface finish	Powder coating	Protection degree	IP66, IP68, IP69, in plugged condition
----------------	----------------	-------------------	--

## HDC IP68 06B TOS 1M25

**Weidmüller Interface GmbH & Co. KG**  
 Klingenbergstraße 26  
 D-32758 Detmold  
 Germany

[www.weidmueller.com](http://www.weidmueller.com)

## Technical data

### Version

Number of cable glands	0	Size of cable entries	M 25
Top part/bottom part/lid	upper part	Cover	without cover
Tightening torque	6.5 Nm	Number of cable entry on top	1
Number of cable entry sideways	0	Design of housing	Plug housing
Design of locking system	Clamping yoke connection	Design	Standard
Installation size	3	Cable entry	w. thread
Type	Plug	Clamp version	Clamping yoke connection
Sealing	no sealing	Internal thread	M 25
Colour (RAL)	RAL 9011, RAL 9005	BG	3
Suitable for ModuPlug®	Yes		

### Classifications

ETIM 8.0	EC000437	ETIM 9.0	EC000437
ETIM 10.0	EC000437	ECLASS 14.0	27-44-02-02
ECLASS 15.0	27-44-02-02		

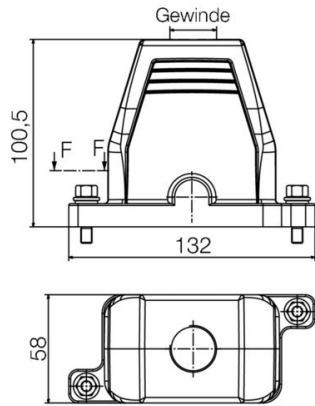
**HDC IP68 06B TOS 1M25**

**Weidmüller Interface GmbH & Co. KG**  
Klingenbergstraße 26  
D-32758 Detmold  
Germany

[www.weidmueller.com](http://www.weidmueller.com)

**Drawings**

**Drawing**



## HDC IP68 06B TOS 1M25

**Weidmüller Interface GmbH & Co. KG**  
 Klingenbergstraße 26  
 D-32758 Detmold  
 Germany

www.weidmueller.com

## Accessories

### Socket wrench sets



Allen key made from fully hardened, high-alloy chromium-vanadium-steel, acc. to DIN ISO 2936 L (DIN 911), high-quality refined surface.

### General ordering data

Type	SK WSD-S 1,5-10,0	Version	
Order No.	<a href="#">9008850000</a>	Mounting tool	
GTIN (EAN)	4032248266609		
Qty.	1 ST		

### Screws



We offer a variety of accessories, including screws, that fit to the heavy-duty connectors.

### General ordering data

Type	HDC IP68 SCREW SET	Version	
Order No.	<a href="#">2555340000</a>	Heavy-duty connectors, Accessories, Set of fixings	
GTIN (EAN)	4050118571332		
Qty.	10 ST		

### IP68 version



In addition to the extensive range of enclosures, Weidmüller offers a variety of cable glands for a wide range of applications. The cable glands made of brass, plastic and stainless steel meet the most various IP protection classes to suit any industrial enclosure. Depending on the series of cable glands and the application, the cable glands are approved and tested according to VDE, UL, UR, cULus, DNV GL or EN 45545.

### General ordering data

Type	VG M25 - MS 68	Version	
Order No.	<a href="#">1772230000</a>	VG MS (standard brass cable gland), Cable glands, straight, M 25, 8 mm, OD min. 10 - OD max. 14 mm, IP54, IP66, IP67, IP68 - 5 bar (30 min.), IP69K, Brass, nickel-plated	
GTIN (EAN)	4032248129881		
Qty.	25 ST		

## HDC IP68 06B TOS 1M25

**Weidmüller Interface GmbH & Co. KG**  
 Klingenbergstraße 26  
 D-32758 Detmold  
 Germany

## Accessories

www.weidmueller.com

### EMC Brass Cable Gland 4th Generation



The increasing sensitivity of electronic components and the increasing electromagnetic interference frequencies require cable glands to play an important role in the shielding concept of a system. This type of EMC cable glands are made for shielding against interference frequencies, with a 360° screening connection. A Finger-locking seal provides superior cable retention & strain relief, next to it, the cable gland meets the mechanical requirements of EN 62444. Due to the patented design a very easy and fast assembly will be possible.

### General ordering data

Type	VG M25 EMV-4 MS 10-18	Version	
Order No.	<a href="#">2435170000</a>	VG EMV GEN 4 (EMC cable gland with clamping cage), Cable glands,	
GTIN (EAN)	4050118446920	straight, M 25, 8, OD min. 10 - OD max. 18 mm, IP54, IP66, IP67,	
Qty.	25 ST	IP68 - 5 bar (30 min.), IP69K, Brass, nickel-plated	