

## HDC IP68 04A TOS 1PG13

Weidmüller Interface GmbH & Co. KG

Klingenbergstraße 26

D-32758 Detmold

Germany

[www.weidmueller.com](http://www.weidmueller.com)



The new RockStar® enclosures are resistant to seawater and offer a high degree of shock resistance, meet IP 68 and IP 69K, and have been developed for use under extreme environmental conditions and designed for the high vibration requirements acc. to DIN EN 61373 cat. 2 (bogie). As such, this housing family is ideally suited for fault- and maintenance-free operation of heavy-duty connectors in transport and traffic engineering as well as in power engineering and in applications with extreme requirements. During development, measures were also implemented to make the enclosures extremely EMC-resistant.

### General ordering data

Version	HDC enclosures, Installation size: 1, Protection degree: IP66, IP68, in plugged condition, Plug housing, Clamping yoke connection, Standard, Size of cable entries: PG 13.5
Order No.	<a href="#">1082410000</a>
Type	HDC IP68 04A TOS 1PG13
GTIN (EAN)	4032248845385
Qty.	1 items

**HDC IP68 04A TOS 1PG13**

**Weidmüller Interface GmbH & Co. KG**  
 Klingenbergstraße 26  
 D-32758 Detmold  
 Germany

www.weidmueller.com

**Technical data**

**Approvals**

Approvals



ROHS Conform

**Dimensions and weights**

Depth	50 mm	Depth (inches)	1.9685 inch
Height	60 mm	Height (inches)	2.3622 inch
Width	36 mm	Width (inches)	1.4173 inch
Net weight	98 g		

**Temperatures**

Limit temperature -50 °C ... 125 °C

**Environmental Product Compliance**

RoHS Compliance Status Compliant without exemption  
 REACH SVHC No SVHC above 0.1 wt%

Chemical resistance	Substance	Acetone
	Chemical resistance	Resistant
	Substance	Diesel oil
	Chemical resistance	Unstable
	Substance	Ethyl alcohol
	Chemical resistance	Resistant
	Substance	Transmission oil
	Chemical resistance	Conditionally resistant
	Substance	Hydraulic oil
	Chemical resistance	Conditionally resistant
	Substance	Petroleum benzine
	Chemical resistance	Unstable
	Substance	Sweat
	Chemical resistance	Conditionally resistant
	Substance	Premium gasoline
	Chemical resistance	Unstable
	Substance	Water
Chemical resistance	Resistant	
Substance	UV	
Chemical resistance	Resistant	
Substance	Ozone	
Chemical resistance	Resistant	

**Dimensions**

Cable entry	w. thread	Total length housing	50 mm
Height of housing B	60 mm		

**General data**

Surface finish	Powder coating	Protection degree	IP66, IP68, in plugged condition
----------------	----------------	-------------------	----------------------------------

## HDC IP68 04A TOS 1PG13

**Weidmüller Interface GmbH & Co. KG**  
 Klingenbergstraße 26  
 D-32758 Detmold  
 Germany

[www.weidmueller.com](http://www.weidmueller.com)

## Technical data

### Version

Number of cable glands	0	Size of cable entries	PG 13.5
Top part/bottom part/lid	upper part	Cover	without cover
Tightening torque	2.2 Nm	Number of cable entry on top	1
Number of cable entry sideways	0	Design of housing	Plug housing
Design of locking system	Clamping yoke connection	Design	Standard
Installation size	1	Cable entry	w. thread
Type	Plug	Clamp version	Clamping yoke connection
Sealing	no sealing	Internal thread	PG 13.5
Colour (RAL)	RAL 9011	BG	1
Suitable for ModuPlug®	No		

### Classifications

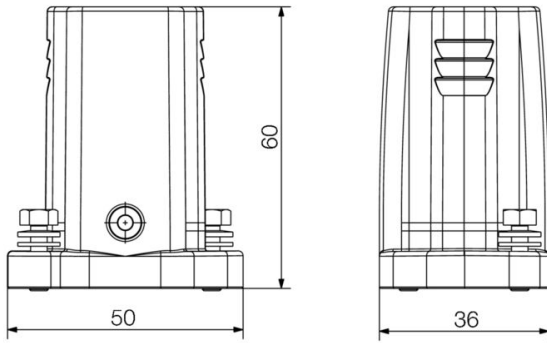
ETIM 8.0	EC000437	ETIM 9.0	EC000437
ETIM 10.0	EC000437	ECLASS 14.0	27-44-02-02
ECLASS 15.0	27-44-02-02		

**HDC IP68 04A TOS 1PG13**

**Weidmüller Interface GmbH & Co. KG**  
Klingenbergstraße 26  
D-32758 Detmold  
Germany

**Drawings**

[www.weidmueller.com](http://www.weidmueller.com)



## HDC IP68 04A TOS 1PG13

**Weidmüller Interface GmbH & Co. KG**  
Klingenbergstraße 26  
D-32758 Detmold  
Germany

[www.weidmueller.com](http://www.weidmueller.com)

## Accessories

### Socket wrench sets



Allen key made from fully hardened, high-alloy chromium-vanadium-steel, acc. to DIN ISO 2936 L (DIN 911), high-quality refined surface.

### General ordering data

Type	SK WSD-S 1,5-10,0	Version	
Order No.	<a href="#">9008850000</a>	Mounting tool	
GTIN (EAN)	4032248266609		
Qty.	1 ST		