

HDC IP68 06B AS

Weidmüller Interface GmbH & Co. KG

Klingenbergstraße 26

D-32758 Detmold

Germany

www.weidmueller.com



The new RockStar® enclosures are resistant to seawater and offer a high degree of shock resistance, meet IP 68 and IP 69K, and have been developed for use under extreme environmental conditions and designed for the high vibration requirements acc. to DIN EN 61373 cat. 2 (bogie). As such, this housing family is ideally suited for fault- and maintenance-free operation of heavy-duty connectors in transport and traffic engineering as well as in power engineering and in applications with extreme requirements. During development, measures were also implemented to make the enclosures extremely EMC-resistant.

General ordering data

Version	HDC enclosures, Installation size: 3, Protection degree: IP66, IP68, in plugged condition, Bulkhead housing, Clamping yoke connection, Standard, Size of cable entries: none
Order No.	1081510000
Type	HDC IP68 06B AS
GTIN (EAN)	4032248844258
Qty.	1 items

HDC IP68 06B AS

Weidmüller Interface GmbH & Co. KG
 Klingenbergstraße 26
 D-32758 Detmold
 Germany

www.weidmueller.com

Technical data

Approvals

Approvals



ROHS Conform

Dimensions and weights

Height	30 mm	Height (inches)	1.1811 inch
Width	58 mm	Width (inches)	2.2835 inch
Mounting dimension - height	32 mm	Mounting dimension - width	70 mm
Net weight	141.68 g		

Temperatures

Limit temperature -50 °C ... 125 °C

Environmental Product Compliance

RoHS Compliance Status Compliant without exemption

REACH SVHC No SVHC above 0.1 wt%

Chemical resistance	Substance	Chemical resistance
	Acetone	Resistant
	Diesel oil	Unstable
	Ethyl alcohol	Resistant
	Transmission oil	Conditionally resistant
	Hydraulic oil	Conditionally resistant
	Petroleum benzine	Unstable
	Sweat	Conditionally resistant
	Premium gasoline	Unstable
	Water	Resistant
	UV	Resistant
	Ozone	Resistant

Dimensions

Hole pitch length A2	70 mm	Cable entry	w. thread
Total length housing	132 mm	Height of housing B	30 mm

General data

Housing main material	diecast aluminium	Surface finish	Powder coating
Protection degree	IP66, IP68, in plugged condition	EMC housings	Yes

HDC IP68 06B AS

Weidmüller Interface GmbH & Co. KG
 Klingenbergstraße 26
 D-32758 Detmold
 Germany

www.weidmueller.com

Technical data

Version

Number of cable glands	0	Size of cable entries	none
Top part/bottom part/lid	lower part	Cover	without cover
Number of cable entry sideways	0	Design of housing	Bulkhead housing
Design of locking system	Clamping yoke connection	Design	Standard
Installation size	3	Cable entry	w. thread
Type	Bulkhead (feed-through)	Clamp version	Clamping yoke connection
Sealing	Silicone	Colour (RAL)	RAL 9011, RAL 9005
BG	3	Suitable for ModuPlug®	Yes

Important note

Product information	When mounting the housings, make sure that the flat gasket is correctly seated.
---------------------	---

Classifications

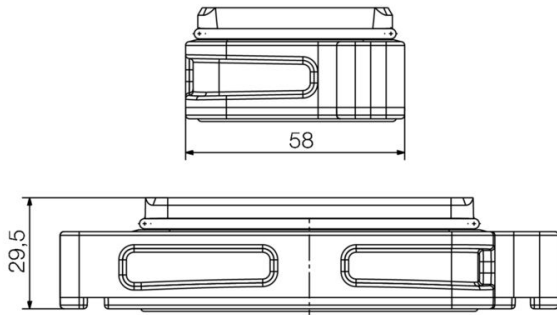
ETIM 8.0	EC000437	ETIM 9.0	EC000437
ETIM 10.0	EC000437	ECLASS 14.0	27-44-02-02
ECLASS 15.0	27-44-02-02		

HDC IP68 06B AS

Weidmüller Interface GmbH & Co. KG
Klingenbergstraße 26
D-32758 Detmold
Germany

Drawings

www.weidmueller.com



HDC IP68 06B AS

Weidmüller Interface GmbH & Co. KG
 Klingenbergstraße 26
 D-32758 Detmold
 Germany

www.weidmueller.com

Accessories

Flange seals



We offer a variety of accessories, including seals, to accompany the housings. Because of the excellent sealing, you can achieve the best seal possible with our housings. Extensive testing has confirmed it – RockStar® remains impermeable to water to a depth of 50 metres This allows you to use heavy-duty connectors in environments which previously required fixed-wire installation.

General ordering data

Type	HDC FLDG 06B IP68	Version	
Order No.	1987480000	Accessories, Enclosures accessories	
GTIN (EAN)	4050118379242		
Qty.	10 ST		

IP68 O-ring seals



We offer a variety of accessories, including seals, to accompany the housings. Because of the excellent sealing, you can achieve the best seal possible with our housings. Extensive testing has confirmed it – RockStar® remains impermeable to water to a depth of 50 metres This allows you to use heavy-duty connectors in environments which previously required fixed-wire installation.

General ordering data

Type	HDC DG 06B IP68	Version	
Order No.	1987490000	Accessories, Enclosures accessories	
GTIN (EAN)	4050118379198		
Qty.	10 ST		