

HDC IP68 04A AWS**Weidmüller Interface GmbH & Co. KG**

Klingenbergstraße 26

D-32758 Detmold

Germany

www.weidmueller.com

The new RockStar® enclosures are resistant to seawater and offer a high degree of shock resistance, meet IP 68 and IP 69K, and have been developed for use under extreme environmental conditions and designed for the high vibration requirements acc. to DIN EN 61373 cat. 2 (bogie). As such, this housing family is ideally suited for fault- and maintenance-free operation of heavy-duty connectors in transport and traffic engineering as well as in power engineering and in applications with extreme requirements. During development, measures were also implemented to make the enclosures extremely EMC-resistant.

General ordering data

| | |
|------------|--|
| Version | HDC enclosures, Installation size: 1, Protection degree: IP66, IP68, IP69, in plugged condition, Bulkhead housing, Clamping yoke connection, Standard, Size of cable entries: none |
| Order No. | 1081490000 |
| Type | HDC IP68 04A AWS |
| GTIN (EAN) | 4032248844234 |
| Qty. | 1 items |

HDC IP68 04A AWS

Weidmüller Interface GmbH & Co. KG
 Klingenbergstraße 26
 D-32758 Detmold
 Germany

www.weidmueller.com

Technical data

Approvals

Approvals



ROHS Conform

Dimensions and weights

| | | | |
|-----------------------------|-------|----------------------------|-------------|
| Depth | 50 mm | Depth (inches) | 1.9685 inch |
| Height | 44 mm | Height (inches) | 1.7323 inch |
| Width | 67 mm | Width (inches) | 2.6378 inch |
| Mounting dimension - height | 41 mm | Mounting dimension - width | 41 mm |
| Net weight | 134 g | | |

Temperatures

Limit temperature -50 °C ... 125 °C

Environmental Product Compliance

| | | |
|------------------------|-----------------------------|-------------------------|
| RoHS Compliance Status | Compliant without exemption | |
| REACH SVHC | No SVHC above 0.1 wt% | |
| Chemical resistance | Substance | Acetone |
| | Chemical resistance | Resistant |
| | Substance | Diesel oil |
| | Chemical resistance | Unstable |
| | Substance | Ethyl alcohol |
| | Chemical resistance | Resistant |
| | Substance | Transmission oil |
| | Chemical resistance | Conditionally resistant |
| | Substance | Hydraulic oil |
| | Chemical resistance | Conditionally resistant |
| | Substance | Petroleum benzine |
| | Chemical resistance | Unstable |
| | Substance | Sweat |
| | Chemical resistance | Conditionally resistant |
| | Substance | Premium gasoline |
| | Chemical resistance | Unstable |
| | Substance | Water |
| Chemical resistance | Resistant | |
| Substance | UV | |
| Chemical resistance | Resistant | |
| Substance | Ozone | |
| Chemical resistance | Resistant | |

Dimensions

| | | | |
|----------------------|-------|---------------------|-----------|
| Hole pitch length A2 | 41 mm | Cable entry | w. thread |
| Total length housing | 50 mm | Height of housing B | 44 mm |

General data

| | | | |
|-----------------------|--|----------------|----------------|
| Housing main material | diecast aluminium | Surface finish | Powder coating |
| Protection degree | IP66, IP68, IP69, in plugged condition | EMC housings | Yes |

HDC IP68 04A AWS

Weidmüller Interface GmbH & Co. KG
 Klingenbergstraße 26
 D-32758 Detmold
 Germany

www.weidmueller.com

Technical data

Version

| | | | |
|--------------------------------|--------------------------|------------------------|--------------------------|
| Number of cable glands | 0 | Size of cable entries | none |
| Top part/bottom part/lid | lower part | Cover | without cover |
| Number of cable entry sideways | 0 | Design of housing | Bulkhead housing |
| Design of locking system | Clamping yoke connection | Design | Standard |
| Installation size | 1 | Cable entry | w. thread |
| Type | Bulkhead (feed-through) | Clamp version | Clamping yoke connection |
| Sealing | Silicone | Colour (RAL) | RAL 9011 |
| BG | 1 | Suitable for ModuPlug® | No |

Important note

| | |
|---------------------|---|
| Product information | When mounting the housings, make sure that the flat gasket is correctly seated. |
|---------------------|---|

Classifications

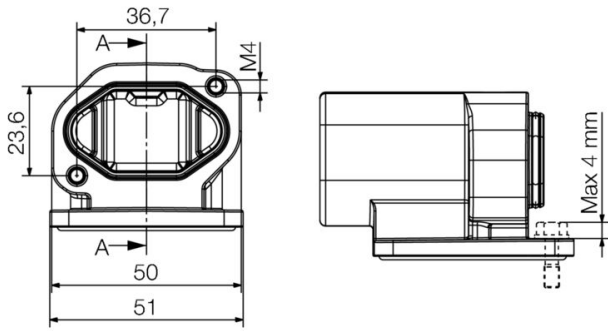
| | | | |
|-------------|-------------|-------------|-------------|
| ETIM 8.0 | EC000437 | ETIM 9.0 | EC000437 |
| ETIM 10.0 | EC000437 | ECLASS 14.0 | 27-44-02-02 |
| ECLASS 15.0 | 27-44-02-02 | | |

HDC IP68 04A AWS

Weidmüller Interface GmbH & Co. KG
Klingenbergstraße 26
D-32758 Detmold
Germany

Drawings

www.weidmueller.com



HDC IP68 04A AWS

Weidmüller Interface GmbH & Co. KG
 Klingenbergstraße 26
 D-32758 Detmold
 Germany

www.weidmueller.com

Accessories

IP68 O-ring seals



We offer a variety of accessories, including seals, to accompany the housings. Because of the excellent sealing, you can achieve the best seal possible with our housings. Extensive testing has confirmed it – RockStar® remains impermeable to water to a depth of 50 metres This allows you to use heavy-duty connectors in environments which previously required fixed-wire installation.

General ordering data

| | | | |
|------------|----------------------------|-------------------------------------|--|
| Type | HDC DG 04A IP68 | Version | |
| Order No. | 1987460000 | Accessories, Enclosures accessories | |
| GTIN (EAN) | 4050118379259 | | |
| Qty. | 10 ST | | |

Flange seals



We offer a variety of accessories, including seals, to accompany the housings. Because of the excellent sealing, you can achieve the best seal possible with our housings. Extensive testing has confirmed it – RockStar® remains impermeable to water to a depth of 50 metres This allows you to use heavy-duty connectors in environments which previously required fixed-wire installation.

General ordering data

| | | | |
|------------|----------------------------|-------------------------------------|--|
| Type | HDC FLDG 04A AW IP68 | Version | |
| Order No. | 1987470000 | Accessories, Enclosures accessories | |
| GTIN (EAN) | 4050118379204 | | |
| Qty. | 10 ST | | |