

HDC IP68 06B SS 2M32

Weidmüller Interface GmbH & Co. KG

Klingenbergstraße 26

D-32758 Detmold

Germany

www.weidmueller.com



The new RockStar® enclosures are resistant to seawater and offer a high degree of shock resistance, meet IP 68 and IP 69K, and have been developed for use under extreme environmental conditions and designed for the high vibration requirements acc. to DIN EN 61373 cat. 2 (bogie). As such, this housing family is ideally suited for fault- and maintenance-free operation of heavy-duty connectors in transport and traffic engineering as well as in power engineering and in applications with extreme requirements. During development, measures were also implemented to make the enclosures extremely EMC-resistant.

General ordering data

Version	HDC enclosures, Installation size: 3, Protection degree: IP66, IP68, IP69, in plugged condition, Base housing, Clamping yoke connection, Standard, Size of cable entries: M 32
Order No.	1081220000
Type	HDC IP68 06B SS 2M32
GTIN (EAN)	4032248877188
Qty.	1 items

HDC IP68 06B SS 2M32

Weidmüller Interface GmbH & Co. KG
 Klingenbergstraße 26
 D-32758 Detmold
 Germany

www.weidmueller.com

Technical data

Approvals

Approvals



ROHS Conform

Dimensions and weights

Depth	156 mm	Depth (inches)	6.1417 inch
Height	101 mm	Height (inches)	3.9764 inch
Width	80 mm	Width (inches)	3.1496 inch
Mounting dimension - height	60 mm	Mounting dimension - width	127 mm
Net weight	845 g		

Temperatures

Limit temperature -50 °C ... 125 °C

Environmental Product Compliance

RoHS Compliance Status	Compliant without exemption	
REACH SVHC	No SVHC above 0.1 wt%	
Chemical resistance	Substance	Acetone
	Chemical resistance	Resistant
	Substance	Diesel oil
	Chemical resistance	Unstable
	Substance	Ethyl alcohol
	Chemical resistance	Resistant
	Substance	Transmission oil
	Chemical resistance	Conditionally resistant
	Substance	Hydraulic oil
	Chemical resistance	Conditionally resistant
	Substance	Petroleum benzine
	Chemical resistance	Unstable
	Substance	Sweat
	Chemical resistance	Conditionally resistant
	Substance	Premium gasoline
	Chemical resistance	Unstable
	Substance	Water
Chemical resistance	Resistant	
Substance	UV	
Chemical resistance	Resistant	
Substance	Ozone	
Chemical resistance	Resistant	

Dimensions

Hole pitch length A2	127 mm	Cable entry	w. thread
Total length housing	156 mm	Height of housing B	101 mm

General data

Surface finish	Powder coating	Protection degree	IP66, IP68, IP69, in plugged condition
----------------	----------------	-------------------	--

HDC IP68 06B SS 2M32

Weidmüller Interface GmbH & Co. KG
 Klingenbergstraße 26
 D-32758 Detmold
 Germany

www.weidmueller.com

Technical data

Version

Number of cable glands	0	Size of cable entries	M 32
Top part/bottom part/lid	lower part	Cover	without cover
Number of cable entry on top	0	Number of cable entry sideways	2
Design of housing	Base housing	Design of locking system	Clamping yoke connection
Design	Standard	Installation size	3
Cable entry	w. thread	Type	Base housing
Clamp version	Clamping yoke connection	Sealing	Silicone
Internal thread	M 32	Colour (RAL)	RAL 9011, RAL 9005
BG	3	Suitable for ModuPlug®	Yes

Classifications

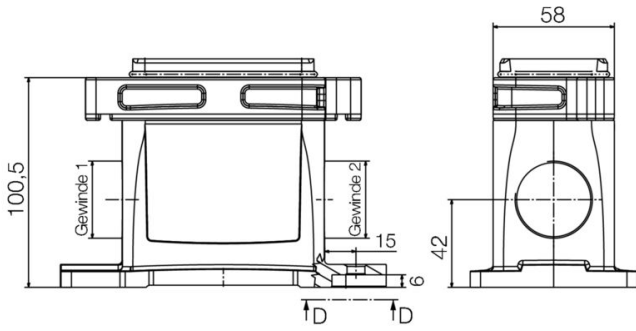
ETIM 8.0	EC000437	ETIM 9.0	EC000437
ETIM 10.0	EC000437	ECLASS 14.0	27-44-02-02
ECLASS 15.0	27-44-02-02		

HDC IP68 06B SS 2M32

Weidmüller Interface GmbH & Co. KG
Klingenbergstraße 26
D-32758 Detmold
Germany

Drawings

www.weidmueller.com



HDC IP68 06B SS 2M32

Weidmüller Interface GmbH & Co. KG
Klingenbergstraße 26
D-32758 Detmold
Germany

www.weidmueller.com

Accessories

IP68 O-ring seals



We offer a variety of accessories, including seals, to accompany the housings. Because of the excellent sealing, you can achieve the best seal possible with our housings. Extensive testing has confirmed it – RockStar® remains impermeable to water to a depth of 50 metres. This allows you to use heavy-duty connectors in environments which previously required fixed-wire installation.

General ordering data

Type	HDC DG 06B IP68	Version	
Order No.	1987490000	Accessories, Enclosures accessories	
GTIN (EAN)	4050118379198		
Qty.	10 ST		