

IE-PS-V05M-A-RJ45-FH

Weidmüller Interface GmbH & Co. KG
Klingenbergstraße 26
D-32758 Detmold
Germany

www.weidmueller.com



HDC plug-in connector set according to IEC 61076-3-106
ver.5 in metal, with RJ45 insert

General ordering data

Version	RJ45 plug, no tools required, Cat.6A / Class EA (ISO/IEC 11801 2010)
Order No.	1077300000
Type	IE-PS-V05M-A-RJ45-FH
GTIN (EAN)	4032248834914
Qty.	10 items

IE-PS-V05M-A-RJ45-FH

Weidmüller Interface GmbH & Co. KG

Klingenbergstraße 26

D-32758 Detmold

Germany

www.weidmueller.com

Technical data

Approvals

ROHS Conform

Dimensions and weights

Net weight 79 g

Temperatures

Storage temperature Operating temperature -40 °C...70 °C
Installation temperature

Environmental Product Compliance

RoHS Compliance Status Compliant with exemption
RoHS Exemption (if applicable/known) 6c
REACH SVHC Lead 7439-92-1
SCIP 4f3aae94-c2bc-4010-b63b-5b114ba6bd55

General data

Connection 1	RJ45	Connection 2	IDC
Colour	black	Housing main material	diecast aluminium
Insulation cross-section, min.	0.85 mm	Insulation cross-section, max.	1.6 mm
Category	Cat.6A / Class EA (ISO/IEC 11801 2010)	Contact surface	Gold over nickel
Connection diameter, solid	0.4...0.64 mm	Connection diameter, flexible	0.48...0.76 mm
MICE classification M	M3	MICE classification I	I3
MICE classification C	C1	MICE classification E	E3
Sheath diameter, min.	5 mm	Sheath diameter, max.	10 mm
Shielding	360°; shield contact	Protection degree	IP67
Plugging cycles	750	Ability to reconnect	≥ 10 cycles (for the same or larger cross-section)

Electrical properties

Dielectric strength, contact / shield ≥ 1500 V AC/DC Dielectric strength, contact / contact ≥ 1000 V AC/DC

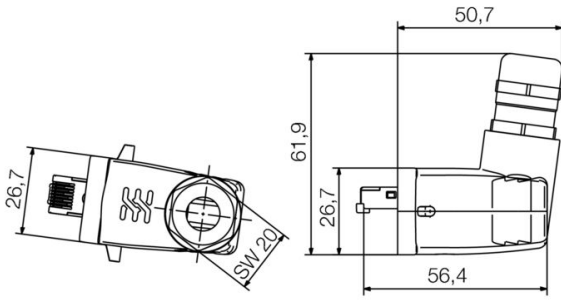
General standards

Connector standard IEC 61076-3-106 Var. 5, IEC 60603-7-51 Application-specific communication cable facilities PROFINET installation instructions

Classifications

ETIM 8.0	EC001121	ETIM 9.0	EC001121
ETIM 10.0	EC001121	ECLASS 14.0	27-44-03-90
ECLASS 15.0	27-44-03-90		

Dimensioned drawing



IE-PS-V05M-A-RJ45-FH

Weidmüller Interface GmbH & Co. KG
Klingenbergstraße 26
D-32758 Detmold
Germany

www.weidmueller.com

Accessories

Dust caps



For protecting your devices against dust and dirt.

General ordering data

Type	IE-PP-V05M	Version	
Order No.	1968920000	Flange-mounted housing, protective cap	
GTIN (EAN)	4032248692668		
Qty.	10 ST		