

## FBCEX PA M12 MA-FMA 5M

**Weidmüller Interface GmbH & Co. KG**

Klingenbergstraße 26

D-32758 Detmold

Germany

[www.weidmueller.com](http://www.weidmueller.com)



The most reliable way of achieving connections between two I/O slaves or between the control and one I/O subscriber is by way of pre-assembled cables. The line of cables covers PROFIBUS, CANopen, DeviceNet™, EtherCAT and Ethernet.

### General ordering data

Version	Bus line, Connecting line, M12 / M12, Number of poles: 2, 5 m, pin, 90°; - socket 90°; Shielded: Yes, LED: No, Sheath material: PVC, Halogen: Yes
Order No.	<a href="#">1075410500</a>
Type	FBCEX PA M12 MA-FMA 5M
GTIN (EAN)	4032248833887
Qty.	1 items
Delivery status	Discontinued
Available until	2025-11-29T00:00:00+01:00

**FBCEX PA M12 MA-FMA 5M**
**Weidmüller Interface GmbH & Co. KG**

 Klingenbergstraße 26  
 D-32758 Detmold  
 Germany

[www.weidmueller.com](http://www.weidmueller.com)
**Technical data**
**Approvals**

Approvals



ROHS Conform

**Dimensions and weights**

Net weight 354.64 g

**Environmental Product Compliance**

RoHS Compliance Status	Compliant with exemption
RoHS Exemption (if applicable/known)	6c
REACH SVHC	Lead 7439-92-1
SCIP	273a2adc-147a-4b75-9d50-227deee55a05

**Technical specifications for cable**

Cable length	5 m	Sheathing colour	blue (RAL 5015)
Suitable for cable carriers	No	Core cross-section	1 mm <sup>2</sup>
Shielded	Yes	Halogen	Yes
Insulation	PE	Bending radius, min., moving	8 x cable diameter
Bending radius, min., stationary	8 x cable diameter	Sheath material	PVC
Configurable cable length	No	Hybrid cable	No
Irradiation crosslinked	No	Welding spark resistance	No
Colour coding	red, green	Temperature range, stationary	-30...80 °C
Resistant to welding beads	No	Temperature range, moving	-5...60 °C
Number of poles	2	Outside diameter	8 mm ± 0.4 mm

**General technical data**

Coding	A-coded	Connection thread	M12 / M12
Contact surface	Gold-plated	LED	No
Version	pin, 90°; - socket 90°;	Housing main material	PUR
Insulation resistance	108 Ω	Contact material	Ni/Au
Nominal voltage	100 V	Protection degree	IP67
Plugging cycles	≥ 100	Pollution severity	3
jumpered	No	Threaded ring material	Brass, nickel-plated
Temperature range of housing	-25...+80 °C	Tightening torque	M12: 0.8 - 1.2 Nm

**Electrical properties**

Insulation resistance	108 Ω	Nominal voltage	100 V
-----------------------	-------	-----------------	-------

**Plug, left**

Plug left	M12, A-coded, IP67, male contact, angled 90°, Plastic, shielded
-----------	-----------------------------------------------------------------

**FBCEX PA M12 MA-FMA 5M**

**Weidmüller Interface GmbH & Co. KG**  
Klingenbergstraße 26  
D-32758 Detmold  
Germany

[www.weidmueller.com](http://www.weidmueller.com)

**Technical data****Plug, right**

Plug right	M12, A-coded, IP67, female contact, angled 90°, Plastic, shielded
------------	-------------------------------------------------------------------------

**Classifications**

ETIM 8.0	EC002599	ETIM 9.0	EC002599
ETIM 10.0	EC002599	ECLASS 14.0	27-06-03-08
ECLASS 15.0	27-06-03-08		

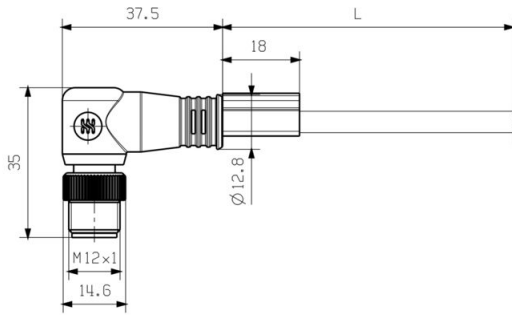
**FBCEX PA M12 MA-FMA 5M**

**Weidmüller Interface GmbH & Co. KG**  
Klingenbergstraße 26  
D-32758 Detmold  
Germany

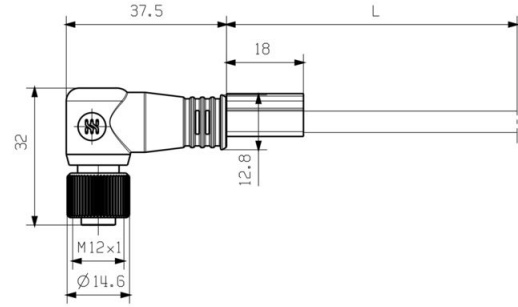
[www.weidmueller.com](http://www.weidmueller.com)

Drawings

Dimensioned drawing

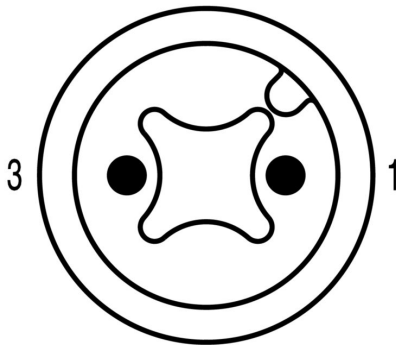


Male, angled



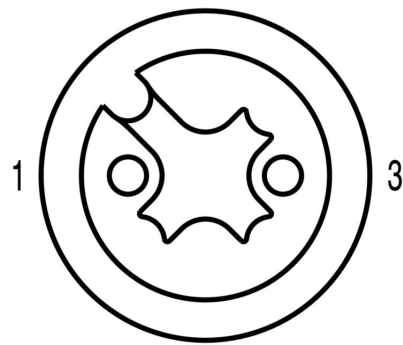
Socket angled

Pole scheme



Pin

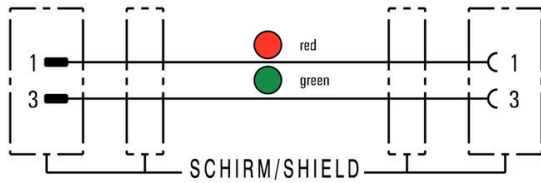
Pole scheme



Socket

# Drawings

## Wiring diagram



## The ideal tool: Screwty® with torque function



Light, securely screwed-in round plug-in connectors. Screwty set DM / VPE: 1 / Order No.: 1920000000 Adapters: M12, M12 F, M8, M8 F