

FBCEX PA M12 M-FMA 1M

Weidmüller Interface GmbH & Co. KG

Klingenbergstraße 26

D-32758 Detmold

Germany

www.weidmueller.com



The most reliable way of achieving connections between two I/O slaves or between the control and one I/O subscriber is by way of pre-assembled cables. The line of cables covers PROFIBUS, CANopen, DeviceNet™, EtherCAT and Ethernet.

General ordering data

| | |
|-----------------|--|
| Version | Bus line, Connecting line, M12 / M12, Number of poles: 2, 1 m, pin, straight - socket, 90°, Shielded: Yes, LED: No, Sheath material: PVC, Halogen: Yes |
| Order No. | 1075390100 |
| Type | FBCEX PA M12 M-FMA 1M |
| GTIN (EAN) | 4032248833825 |
| Qty. | 1 items |
| Delivery status | Discontinued |
| Available until | 2025-11-29T00:00:00+01:00 |

FBCEX PA M12 M-FMA 1M

Weidmüller Interface GmbH & Co. KG
 Klingenbergstraße 26
 D-32758 Detmold
 Germany

www.weidmueller.com

Technical data
Approvals

Approvals



ROHS Conform

Dimensions and weights

Net weight 108 g

Environmental Product Compliance

RoHS Compliance Status Compliant with exemption
 RoHS Exemption (if applicable/known) 6c
 REACH SVHC Lead 7439-92-1
 SCIP 273a2adc-147a-4b75-9d50-227deee55a05

Technical specifications for cable

| | | | |
|----------------------------------|--------------------|-------------------------------|--------------------|
| Cable length | 1 m | Sheathing colour | blue (RAL 5015) |
| Suitable for cable carriers | No | Core cross-section | 1 mm ² |
| Shielded | Yes | Halogen | Yes |
| Insulation | PE | Bending radius, min., moving | 8 x cable diameter |
| Bending radius, min., stationary | 8 x cable diameter | Sheath material | PVC |
| Configurable cable length | No | Hybrid cable | No |
| Irradiation crosslinked | No | Welding spark resistance | No |
| Colour coding | red, green | Temperature range, stationary | -30...80 °C |
| Resistant to welding beads | No | Temperature range, moving | -5...60 °C |
| Number of poles | 2 | Outside diameter | 8 mm ± 0.4 mm |

General technical data

| | | | |
|------------------------------|-----------------------------|------------------------|----------------------|
| Coding | A-coded | Connection thread | M12 / M12 |
| Contact surface | Gold-plated | LED | No |
| Version | pin, straight - socket, 90° | Housing main material | PUR |
| Insulation resistance | 108 Ω | Contact material | Ni/Au |
| Nominal voltage | 100 V | Protection degree | IP67 |
| Plugging cycles | ≥ 100 | Pollution severity | 3 |
| jumpered | No | Threaded ring material | Brass, nickel-plated |
| Temperature range of housing | -25...+80 °C | Tightening torque | M12: 0.8 - 1.2 Nm |

Electrical properties

Insulation resistance 108 Ω Nominal voltage 100 V

Plug, left

Plug left M12, A-coded, IP67, male contact, straight, Plastic, shielded

FBCEX PA M12 M-FMA 1M

Weidmüller Interface GmbH & Co. KG
Klingenbergstraße 26
D-32758 Detmold
Germany

www.weidmueller.com

Technical data**Plug, right**

| | |
|------------|---|
| Plug right | M12, A-coded, IP67, female contact, angled 90°, Plastic, shielded |
|------------|---|

Classifications

| | | | |
|-------------|-------------|-------------|-------------|
| ETIM 8.0 | EC002599 | ETIM 9.0 | EC002599 |
| ETIM 10.0 | EC002599 | ECLASS 14.0 | 27-06-03-08 |
| ECLASS 15.0 | 27-06-03-08 | | |

FBCEX PA M12 M-FMA 1M

Weidmüller Interface GmbH & Co. KG
 Klingenbergstraße 26
 D-32758 Detmold
 Germany

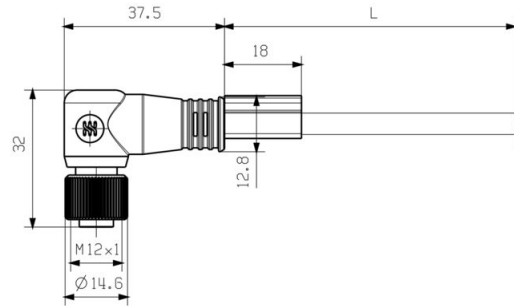
www.weidmueller.com

Drawings

Dimensioned drawing

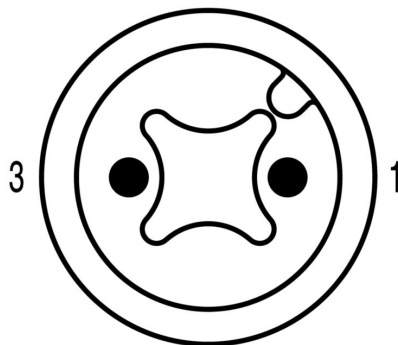


Male, straight



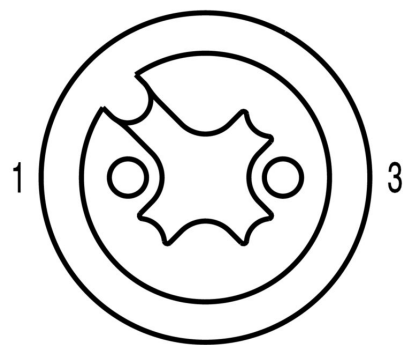
Socket angled

Pole scheme



Pin

Pole scheme



Socket

Drawings

Wiring diagram



The ideal tool: Screwty® with torque function



Light, securely screwed-in round plug-in connectors. Screwty set DM / VPE: 1 / Order No.: 1920000000 Adapters: M12, M12 F, M8, M8 F