

**CH20M6 C TP 8089**

**Weidmüller Interface GmbH & Co. KG**  
Klingenbergstraße 26  
D-32758 Detmold  
Germany

www.weidmueller.com

**Product image**

The Flip cover of the CH20M housing offers practical functions that support your application. It can be sealed, which ensures additional security and protection for your contents. You also have the option of printing on the cover using pad printing to clearly display important information or logos.

In addition, markers can be used to apply specific instructions or markings directly on the cover.

**General ordering data**

|            |   |
|------------|---|
| Version    | Modular housing, OMNIMATE Housing - series CH20M Transparent, Flip cover, Width: 6.1 mm |
| Order No.  | <a href="#">1073410000</a>  |
| Type       | CH20M6 C TP 8089  |
| GTIN (EAN) | 4032248831203   |
| Qty.       | 50 items  |

## CH20M6 C TP 8089

**Weidmüller Interface GmbH & Co. KG**  
 Klingenbergstraße 26  
 D-32758 Detmold  
 Germany

www.weidmueller.com

## Technical data

### Approvals

|      |         |
|------|---------|
| ROHS | Conform |
|------|---------|

### Dimensions and weights

|            |         |                 |             |
|------------|---------|-----------------|-------------|
| Depth      | 6.8 mm  | Depth (inches)  | 0.2677 inch |
| Height     | 69.8 mm | Height (inches) | 2.748 inch  |
| Width      | 6.1 mm  | Width (inches)  | 0.2402 inch |
| Net weight | 0.64 g  |                 |             |

### Environmental Product Compliance

|                        |                             |
|------------------------|-----------------------------|
| RoHS Compliance Status | Compliant without exemption |
| REACH SVHC             | No SVHC above 0.1 wt%       |

### Material data

|                           |         |                                  |                |
|---------------------------|---------|----------------------------------|----------------|
| UL 94 flammability rating | V-2     | Insulating material              | PC             |
| Insulating material group | IIIa    | Surface finish                   | untreated      |
| Basic material            | Plastic | Comparative Tracking Index (CTI) | 175 ≤ CTI <400 |

### General data

|                        |             |                      |                         |
|------------------------|-------------|----------------------|-------------------------|
| Colour                 | Transparent | Protection degree    | IP20 in installed state |
| Colour chart (similar) | -           | Encapsulation option | No                      |

### Component properties

|             |          |                      |     |
|-------------|----------|----------------------|-----|
| Safety lock | sealable | Marker integrateable | Yes |
|-------------|----------|----------------------|-----|

### Individualization options

|                                    |                               |                                      |                 |
|------------------------------------|-------------------------------|--------------------------------------|-----------------|
| Customer specific cutouts possible | No                            | Customer specific labelling possible | Yes             |
| Customer specific order process    | See guideline under downloads | Alternative colours                  | More on request |

### Classifications

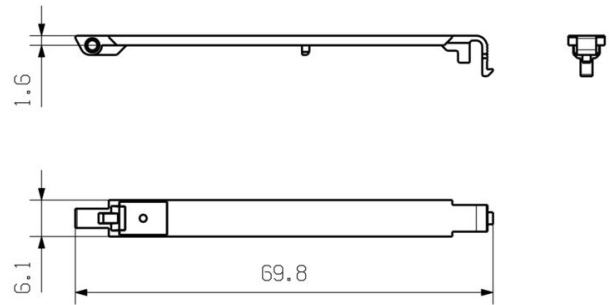
|             |             |             |             |
|-------------|-------------|-------------|-------------|
| ETIM 8.0    | EC001031    | ETIM 9.0    | EC001031    |
| ETIM 10.0   | EC001031    | ECLASS 14.0 | 27-19-06-03 |
| ECLASS 15.0 | 27-19-06-03 |             |             |

**Drawings**

**Product image**



**Dimensioned drawing**



## CH20M6 C TP 8089

Weidmüller Interface GmbH &amp; Co. KG

Klingenbergstraße 26

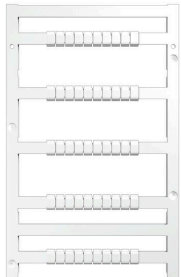
D-32758 Detmold

Germany

www.weidmueller.com

## Accessories

## Blank



MultiFit is the Weidmüller marker system used for other makes of terminals. Similar to the Weidmüller Dekafix, the markers of the MultiFit family are available ready-for-use with standard printing.

We recommend to carry out a test with sample markers on the terminals used when using MultiFit for the first time.

- One marker, suitable for different makes of terminals.
- Ready-to-use markers with standard printing
- Blank markers for printing with the PrintJet CONNECT or Plotter
- Delivery of individually printed markers according to customer CAE data or specifications
- One marking system for all applications

For custom printing: Please send us a file of our labeling software M-Print PRO or M-Print PRO Online (without installation) for your labeling specifications.

## General ordering data

| Type       | MF 5/7.5 MC NE WS          | Version  |
|------------|----------------------------|--|
| Order No.  | <a href="#">1877680000</a> | MultiFit, Terminal marker, 5 x 7.5 mm, Pitch in mm (P): 7.50 Adels |
| GTIN (EAN) | 4032248468270              | RKW, Phoenix, white  |
| Qty.       | 320 ST                     |  |

## Custom printing



MultiFit is the Weidmüller marker system used for other makes of terminals. Similar to the Weidmüller Dekafix, the markers of the MultiFit family are available ready-for-use with standard printing.

We recommend to carry out a test with sample markers on the terminals used when using MultiFit for the first time.

- One marker, suitable for different makes of terminals.
- Ready-to-use markers with standard printing
- Blank markers for printing with the PrintJet CONNECT or Plotter
- Delivery of individually printed markers according to customer CAE data or specifications
- One marking system for all applications

For custom printing: Please send us a file of our labeling software M-Print PRO or M-Print PRO Online (without installation) for your labeling specifications.

## General ordering data

| Type       | MF 5/7.5 MC SDR            | Version  |
|------------|----------------------------|--|
| Order No.  | <a href="#">1877660000</a> | MultiFit, Terminal marker, 5 x 7.5 mm, Pitch in mm (P): 7.50 Adels |
| GTIN (EAN) | 4032248468256              | RKW, Phoenix, To customer specification                            |
| Qty.       | 64 ST                      |  |