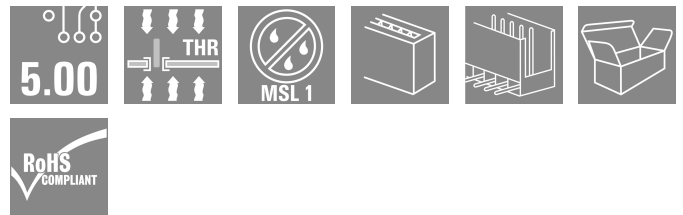
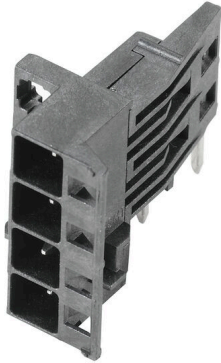


## SHL-SMT 5.00/04GR 5.9BX

**Weidmüller Interface GmbH & Co. KG**  
 Klingenbergstraße 26  
 D-32758 Detmold  
 Germany

www.weidmueller.com

## Product image



Male connectors with solder pin length optimised for wave flow soldering. The pin headers provide space for labelling and can be coded.

## General ordering data

Version	PCB plug-in connector, Connection element, right, male header, open side, THT/THR solder connection, 5.00 mm, Number of poles: 4, 90°, Solder pin length (l): 5.9 mm, tinned, black, Box
Order No.	<a href="#">1069710000</a>
Type	SHL-SMT 5.00/04GR 5.9BX
GTIN (EAN)	4032248825073
Qty.	108 items
Product data	IEC: 400 V UL: 300 V / 9 A / AWG 26 - AWG 12
Packaging	Box

## SHL-SMT 5.00/04GR 5.9BX

Weidmüller Interface GmbH & Co. KG  
Klingenbergstraße 26  
D-32758 Detmold  
Germany

www.weidmueller.com

## Technical data

## Approvals

Approvals



ROHS	Conform
UL File Number Search	<a href="#">UL Website</a>
Certificate No. (cURus)	E60693

## Dimensions and weights

Depth	27.8 mm	Depth (inches)	1.0945 inch
Height	14.4 mm	Height (inches)	0.5669 inch
Height of lowest version	16.3 mm	Width	20.6 mm
Width (inches)	0.811 inch	Length	0 mm
Net weight	3.76 g		

## Environmental Product Compliance

RoHS Compliance Status	Compliant without exemption
REACH SVHC	No SVHC above 0.1 wt%

## System Parameters

Product family	OMNIMATE Housing - series CH20M	Type of connection	Board connection
Pitch in mm (P)	5.00 mm	Pitch in inches (P)	0.197 "
Number of poles	4	L1 in mm	15.00 mm
L1 in inches	0.591 "	Number of rows	1
Pin series quantity	1	Protection degree	IP20
Volume resistance	≤5 mΩ	Can be coded	Yes

## Material data

Insulating material	LCP	Colour	black
Colour chart (similar)	RAL 9011	Insulating material group	IIIa
Comparative Tracking Index (CTI)	175 ≤ CTI <400	Moisture Level (MSL)	1
UL 94 flammability rating	V-0	Contact material	Copper alloy
Contact surface	tinned	Storage temperature, min.	-40 °C
Storage temperature, max.	70 °C	Operating temperature, min.	-40 °C
Operating temperature, max.	120 °C	Temperature range, installation, min.	-30 °C
Temperature range, installation, max.	120 °C		

## Rated data acc. to IEC

tested acc. to standard	IEC 60664-1, IEC 61984	Rated current, max. number of poles (Tu=20°C)	10 A
Rated current, max. number of poles (Tu=40°C)	9 A	Rated voltage for surge voltage class / pollution degree II/2	400 V
Rated voltage for surge voltage class / pollution degree III/2	320 V	Rated voltage for surge voltage class / pollution degree III/3	250 V
Rated impulse voltage for surge voltage class/ pollution degree II/2	4 kV	Rated impulse voltage for surge voltage class/ pollution degree III/2	4 kV
Rated impulse voltage for surge voltage class/ contamination degree III/3	4 kV		

## SHL-SMT 5.00/04GR 5.9BX

Weidmüller Interface GmbH &amp; Co. KG

Klingenbergstraße 26

D-32758 Detmold

Germany

www.weidmueller.com

## Technical data

## Rated data acc. to CSA

Institute (CSA)	CSA	Certificate No. (CSA)	200039-70153051
Rated voltage (Use group B / CSA)	300 V	Rated voltage (Use group C / CSA)	50 V
Rated voltage (Use group D / CSA)	300 V	Rated current (Use group B / CSA)	9 A
Rated current (Use group C / CSA)	9 A	Rated current (Use group D / CSA)	9 A
Wire cross-section, AWG, min.	AWG 26	Wire cross-section, AWG, max.	AWG 12
Reference to approval values	Specifications are maximum values, details - see approval certificate.		

## Rated data acc. to UL 1059

Institute (cURus)	CURUS	Certificate No. (cURus)	E60693
Rated voltage (Use group B / UL 1059)	300 V	Rated voltage (Use group C / UL 1059)	50 V
Rated voltage (Use group D / UL 1059)	300 V	Rated current (Use group B / UL 1059)	9 A
Rated current (Use group C / UL 1059)	9 A	Rated current (Use group D / UL 1059)	9 A
Wire cross-section, AWG, min.	AWG 26	Wire cross-section, AWG, max.	AWG 12
Reference to approval values	Specifications are maximum values, details - see approval certificate.		

## Material data

UL 94 flammability rating	V-0	Insulating material	LCP
Insulating material group	IIIa	Comparative Tracking Index (CTI)	175 ≤ CTI <400

## General data

Colour	black	Protection degree	IP20
Colour chart (similar)	RAL 9011	Encapsulation option	No

## Important note

IPC conformity	Conformity: The products are developed, manufactured and delivered according international recognized standards and norms and comply with the assured properties in the data sheet resp. fulfill decorative properties in accordance with IPC-A-610 "Class 2". Further claims on the products can be evaluated on request.
----------------	--

## Classifications

ETIM 8.0	EC002637	ETIM 9.0	EC002637
ETIM 10.0	EC002637	ECLASS 14.0	27-46-02-01
ECLASS 15.0	27-46-02-01		

SHL-SMT 5.00/04GR 5.9BX

Weidmüller Interface GmbH & Co. KG  
Klingenbergstraße 26  
D-32758 Detmold  
Germany

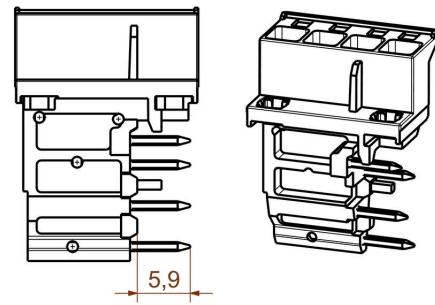
[www.weidmueller.com](http://www.weidmueller.com)

Drawings

Example of use



Dimensioned drawing



## SHL-SMT 5.00/04GR 5.9BX

**Weidmüller Interface GmbH & Co. KG**  
 Klingenbergstraße 26  
 D-32758 Detmold  
 Germany

www.weidmueller.com

## Counterpart

## Female plugs - Clamping yoke screw connection



The optimum framework for function and innovation: The connection technology for the modular CH20M housing offers you numerous advantages that can make your projects more efficient. With our PCB terminal blocks and connectors, you benefit from flexible and reliable connection technology.

Thanks to automated production processes such as THT and THR soldering and reel packaging, we can guarantee high quality and precision. This enables fast and uncomplicated integration into your systems. In addition, we offer you a wide range of colors as well as various coding and printing options to customize your housings. This allows you to ensure that your products are not only functional, but also visually appealing.

## General ordering data

Type	BHZ 5.00/04/90LH GGY/GGY	Version
Order No.	<a href="#">1372520000</a>	PCB plug-in connector, female plug, 5.00 mm, Number of poles: 4,
GTIN (EAN)	4050118174229	90°, Clamping yoke connection, BHZ 5.00/04/90LH SN GGY/GGY
Qty.	78 ST	BX cod. 02, Box
Type	BHZ 5.00/04/90LH GGY/BL	Version
Order No.	<a href="#">1372580000</a>	PCB plug-in connector, female plug, 5.00 mm, Number of poles: 4,
GTIN (EAN)	4050118174625	90°, Clamping yoke connection, BHZ 5.00/04/90LH SN GGY/BL BX
Qty.	78 ST	cod. 02, Box
Type	BHZ 5.00/04/90LH BK/OR	Version
Order No.	<a href="#">1063280000</a>	PCB plug-in connector, female plug, 5.00 mm, Number of poles: 4,
GTIN (EAN)	4032248814947	90°, Clamping yoke connection, cod. 02, Box
Qty.	78 ST	
Type	BHZ 5.00/04/90LH BK/GGY	Version
Order No.	<a href="#">1421750000</a>	PCB plug-in connector, female plug, 5.00 mm, Number of poles: 4,
GTIN (EAN)	4050118225518	90°, Clamping yoke connection, BHZ 5.00/04/90LH SN BK/GGY BX
Qty.	78 ST	cod. 02, Box
Type	BHZ 5.00/04/90LH BK/BL	Version
Order No.	<a href="#">1069380000</a>	PCB plug-in connector, female plug, 5.00 mm, Number of poles: 4,
GTIN (EAN)	4032248825028	90°, Clamping yoke connection, cod. 02, Box
Qty.	78 ST	
Type	BHZ 5.00/04/90LH BK/BK	Version
Order No.	<a href="#">1069350000</a>	PCB plug-in connector, female plug, 5.00 mm, Number of poles: 4,
GTIN (EAN)	4032248825011	90°, Clamping yoke connection, cod. 02, Box
Qty.	78 ST	

## SHL-SMT 5.00/04GR 5.9BX

**Weidmüller Interface GmbH & Co. KG**  
 Klingenbergstraße 26  
 D-32758 Detmold  
 Germany

www.weidmueller.com

## Counterpart

## Female plugs - PUSH IN spring connection



The optimum framework for function and innovation: The connection technology for the modular CH20M housing offers you numerous advantages that can make your projects more efficient. With our PCB terminal blocks and connectors, you benefit from flexible and reliable connection technology.

Thanks to automated production processes such as THT and THR soldering and reel packaging, we can guarantee high quality and precision. This enables fast and uncomplicated integration into your systems. In addition, we offer you a wide range of colors as well as various coding and printing options to customize your housings. This allows you to ensure that your products are not only functional, but also visually appealing.

## General ordering data

Type	BHF 5.00/04/180LH BK/RD	Version
Order No.	<a href="#">2555620000</a>	PCB plug-in connector, female plug, 5.00 mm, Number of poles: 4,
GTIN (EAN)	4050118565683	180°, PUSH IN with actuator, Box
Qty.	78 ST	
Type	BHF 5.00/04/180LH BK/OR	Version
Order No.	<a href="#">1989190000</a>	PCB plug-in connector, female plug, 5.00 mm, Number of poles: 4,
GTIN (EAN)	4050118373820	180°, PUSH IN with actuator, Box
Qty.	78 ST	
Type	BHF 5.00/04/180LH BK/BL	Version
Order No.	<a href="#">1989090000</a>	PCB plug-in connector, female plug, 5.00 mm, Number of poles: 4,
GTIN (EAN)	4050118533453	180°, PUSH IN with actuator, Box
Qty.	78 ST	
Type	BHF 5.00/04/180LH BK/BK	Version
Order No.	<a href="#">1497500000</a>	PCB plug-in connector, female plug, 5.00 mm, Number of poles: 4,
GTIN (EAN)	4050118306828	180°, PUSH IN with actuator, Box
Qty.	78 ST	