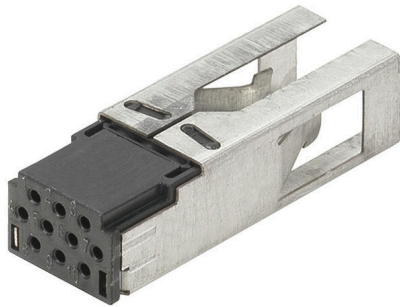


IE-PI-HYB-10P

Weidmüller Interface GmbH & Co. KG
Klingenbergstraße 26
D-32758 Detmold
Germany

www.weidmueller.com



Hybrid, 10-pole. Inserts for plug-in connectors Variant 14

General ordering data

Version	Insert, for plug insert, Hybrid
Order No.	1068990000
Type	IE-PI-HYB-10P
GTIN (EAN)	4032248823963
Qty.	1 items

Technical data

Approvals

Approvals



ROHS Conform

UL File Number Search [UL Website](#)

Certificate no. (cULus) E316369

Dimensions and weights

Net weight 13.2 g

Temperatures

Storage temperature Operating temperature -40 °C...70 °C

Installation temperature

Environmental Product Compliance

RoHS Compliance Status Compliant

REACH SVHC No SVHC above 0.1 wt%

General data

Wire cross-section, finely stranded, max. AWG 20 (AWG)

Shielding 360°; all-round enclosure

Insulation cross-section, max. 2.2 mm

Category Cat.5 (ISO/IEC 11801)

Wire connection cross section, finely stranded, min. 0.08 mm²

Plugging cycles 500

Connection 2 Crimp

Wire cross-section, finely stranded, min. AWG 27 (AWG)

Housing main material Nickel silver, PA 66

Insulation cross-section, min. 1 mm

Wire connection cross section, finely stranded, max. 0.75 mm²

Protection degree IP67 with housing

Connection 1 Hybrid (Q10)

Electrical properties

Contact resistance ≤ 5 mΩ

Nominal voltage 24 V

Volume resistance <10 mΩ

Rated current 3 A per contact

General standards

Certificate no. (cULus) E316369

Important note

Product information Hybrid, 10-pole. Inserts for plug-in connectors Variant 14

Classifications

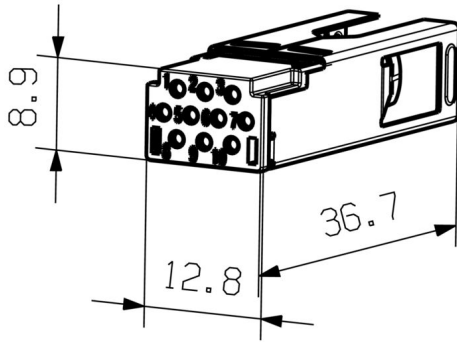
ETIM 8.0 EC001121 ETIM 9.0 EC001121

ETIM 10.0 EC001121 ECLASS 14.0 27-44-03-90

ECLASS 15.0 27-44-03-90

Drawings

Dimensioned drawing



IE-PI-HYB-10P

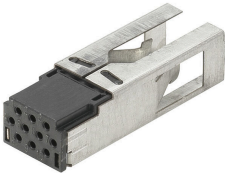
Weidmüller Interface GmbH & Co. KG
 Klingenbergstraße 26
 D-32758 Detmold
 Germany

www.weidmueller.com

Accessories

Hybrid

Hybrid, 10-pole. Inserts for plug-in connectors Variant 14



General ordering data

Type	IE-PIC-HYB-S-0,5-300	Version	
Order No.	1096180000	Crimp contact, for plug insert, Hybrid	
GTIN (EAN)	4032248869152		
Qty.	300 ST		
Type	IE-PIC-HYB-S-0,75-300	Version	
Order No.	1068950000	Crimp contact, for plug insert, Hybrid	
GTIN (EAN)	4032248823109		
Qty.	300 ST		
Type	IE-PIC-HYB-S-0,2-300	Version	
Order No.	1135150000	Crimp contact, for plug insert, Hybrid	
GTIN (EAN)	4032248915347		
Qty.	300 ST		

Crimping tools



Crimping tools for Weidmüller contacts for RSV and DSTV-HD systems

- Ratchet guarantees precise crimping
- Release option in the event of incorrect operation
- With end stop for exact positioning of the contacts

General ordering data

Type	HTF HYB	Version	
Order No.	1119580000	Pressing tool, Crimping tool for contacts, 0.08mm ² , 1mm ² ,	
GTIN (EAN)	4032248900626	FoderBcrimp	
Qty.	1 ST		