

**IE-PI-HYB-10P**

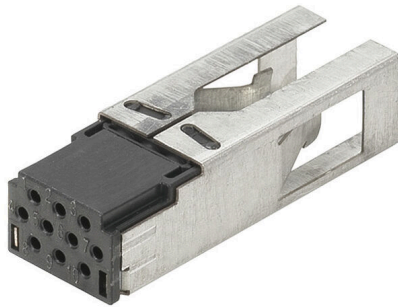
**Weidmüller Interface GmbH & Co. KG**

Klingenbergstraße 26

D-32758 Detmold

Germany

www.weidmueller.com



Hybrid, 10-pole. Inserts for plug-in connectors Variant 14

**General ordering data**

Version	Insert, for plug insert, Hybrid
Order No.	<a href="#">1068990000</a>
Type	IE-PI-HYB-10P
GTIN (EAN)	4032248823963
Qty.	1 items

## Technical data

### Approvals

Approvals



ROHS Conform

UL File Number Search [UL Website](#)

Certificate no. (cULus) E316369

### Dimensions and weights

Net weight 13.2 g

### Temperatures

Storage temperature Operating temperature -40 °C...70 °C

Installation temperature

### Environmental Product Compliance

RoHS Compliance Status Compliant

REACH SVHC No SVHC above 0.1 wt%

### General data

Wire cross-section, finely stranded, max. AWG 20 (AWG)

Shielding 360°; all-round enclosure

Insulation cross-section, max. 2.2 mm

Category Cat.5 (ISO/IEC 11801)

Wire connection cross section, finely stranded, min. 0.08 mm<sup>2</sup>

Plugging cycles 500

Connection 2 Crimp

Wire cross-section, finely stranded, min. AWG 27 (AWG)

Housing main material Nickel silver, PA 66

Insulation cross-section, min. 1 mm

Wire connection cross section, finely stranded, max. 0.75 mm<sup>2</sup>

Protection degree IP67 with housing

Connection 1 Hybrid (Q10)

### Electrical properties

Contact resistance ≤ 5 mΩ

Nominal voltage 24 V

Volume resistance &lt;10 mΩ

Rated current 3 A per contact

### General standards

Certificate no. (cULus) E316369

### Important note

Product information Hybrid, 10-pole. Inserts for plug-in connectors Variant 14

### Classifications

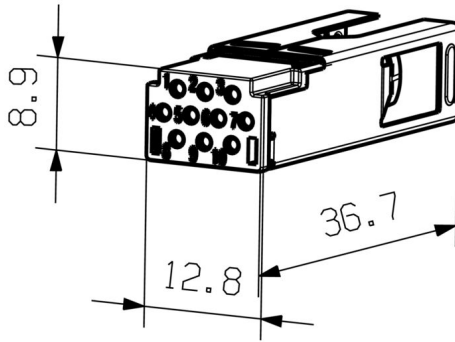
ETIM 8.0 EC001121 ETIM 9.0 EC001121

ETIM 10.0 EC001121 ECLASS 14.0 27-44-03-90

ECLASS 15.0 27-44-03-90

Drawings

Dimensioned drawing



## IE-PI-HYB-10P

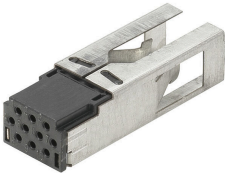
**Weidmüller Interface GmbH & Co. KG**  
 Klingenbergstraße 26  
 D-32758 Detmold  
 Germany

www.weidmueller.com

## Accessories

## Hybrid

Hybrid, 10-pole. Inserts for plug-in connectors Variant 14



## General ordering data

Type	IE-PIC-HYB-S-0,5-300	Version	
Order No.	<a href="#">1096180000</a>	Crimp contact, for plug insert, Hybrid	
GTIN (EAN)	4032248869152		
Qty.	300 ST		
Type	IE-PIC-HYB-S-0,75-300	Version	
Order No.	<a href="#">1068950000</a>	Crimp contact, for plug insert, Hybrid	
GTIN (EAN)	4032248823109		
Qty.	300 ST		
Type	IE-PIC-HYB-S-0,2-300	Version	
Order No.	<a href="#">1135150000</a>	Crimp contact, for plug insert, Hybrid	
GTIN (EAN)	4032248915347		
Qty.	300 ST		

## Crimping tools



Crimping tools for Weidmüller contacts for RSV and DSTV-HD systems

- Ratchet guarantees precise crimping
- Release option in the event of incorrect operation
- With end stop for exact positioning of the contacts

## General ordering data

Type	HTF HYB	Version	
Order No.	<a href="#">1119580000</a>	Pressing tool, Crimping tool for contacts, 0.08mm <sup>2</sup> , 1mm <sup>2</sup> ,	
GTIN (EAN)	4032248900626	FoderBcrimp	
Qty.	1 ST		