

IE-BID-24V

Weidmüller Interface GmbH & Co. KG

Klingenbergstraße 26

D-32758 Detmold

Germany

www.weidmueller.com



PushPull Power plug-in connector according to PROFINET specification

General ordering data

Version	Insert, PROFINET, Socket connector
Order No.	1068940000
Type	IE-BID-24V
GTIN (EAN)	4032248823086
Qty.	100 items

IE-BID-24V

Weidmüller Interface GmbH & Co. KG
 Klingenbergstraße 26
 D-32758 Detmold
 Germany

www.weidmueller.com

Technical data

Approvals

ROHS	Conform
------	---------

Dimensions and weights

Height	13.5 mm	Height (inches)	0.5315 inch
Width	27.4 mm	Width (inches)	1.0787 inch
Length	13.1 mm	Length (inches)	0.5157 inch
Net weight	2.6 g		

Temperatures

Storage temperature	Operating temperature	-40 °C...70 °C
Installation temperature		

Environmental Product Compliance

RoHS Compliance Status	Compliant without exemption
REACH SVHC	No SVHC above 0.1 wt%

General data

Number of poles	5	Contact surface	Gold over nickel
Shielding	unshielded	Colour	black
Contact material	Copper alloy	Plugging cycles	≤ 100
Connection 1	PushPull Power	Connection 2	Dip soldering

Electrical properties

Operating voltage	24 V	Current-carrying capacity at 50 °C	16 A
-------------------	------	------------------------------------	------

General standards

Connector standard	IEC 61076-3-126
--------------------	-----------------

Standards

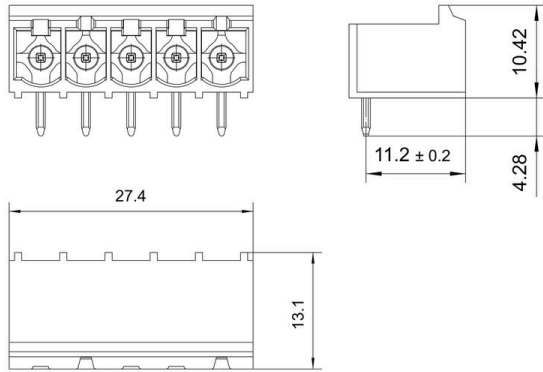
Connector standard	IEC 61076-3-126
--------------------	-----------------

Classifications

ETIM 8.0	EC001121	ETIM 9.0	EC001121
ETIM 10.0	EC001121	ECLASS 14.0	27-44-03-90
ECLASS 15.0	27-44-03-90		

Drawings

Dimensioned drawing



Detailed drawing

Stiftquerschnitt/
pin cross-section

