

IE-CD-V14MRJ-FJ

Weidmüller Interface GmbH & Co. KG
Klingenbergstraße 26
D-32758 Detmold
Germany

www.weidmueller.com



Junction box / coupling, design for FreeCon PushPull
plug-in connectors ver. 14 according to IEC 61076-3-117

General ordering data

Version	Junction box, FreeCon, RJ45 module, IP65
Order No.	1068880000
Type	IE-CD-V14MRJ-FJ
GTIN (EAN)	403224882402 1
Qty.	1 items

IE-CD-V14MRJ-FJ

Weidmüller Interface GmbH & Co. KG

Klingenbergstraße 26
D-32758 Detmold
Germany

www.weidmueller.com

Technical data

Approvals

Approvals



ROHS Conform

UL File Number Search [UL Website](#)

Certificate no. (cULus) E316369

Dimensions and weights

Depth	100 mm	Depth (inches)	3.937 inch
Height	52 mm	Height (inches)	2.0472 inch
Width	41 mm	Width (inches)	1.6142 inch
Net weight	316.8 g		

Temperatures

Storage temperature	Operating temperature	-40 °C...70 °C
Installation temperature		

Environmental Product Compliance

RoHS Compliance Status	Compliant with exemption
RoHS Exemption (if applicable/known)	6c
REACH SVHC	Lead 7439-92-1
SCIP	67cf1078-beca-4687-860b-dc475a6ec24a

General data

Colour	silver	Housing main material	Aluminium profile, Cover: die-cast zinc, painted
Protection degree	IP65	Wiring	PROFINET

General standards

Connector standard	IEC 61076-3-117 Var. 14, IEC 60603-7-5	UL standard for communication accessories	UL 1863
Application-specific communication cable facilities	PROFINET installation instructions	IP protection classes	IEC 60529
Certificate no. (cULus)	E316369		

Technical data RJ45 module

Wire cross-section, finely stranded, max. AWG 22 (AWG)	Wire cross-section, finely stranded, min. AWG 26 (AWG)		
Wiring	PROFINET	Category (RJ45 module)	Cat.5 (ISO/IEC 11801)
Plugging cycles (RJ45 module)	750	Insulation resistance (RJ45 module)	> 500 MΩ
Shielding (RJ45 module)	360° shield contact	Connection 2 (RJ45 module)	RJ45
Housing base material (RJ45 module)	Zinc diecast	Sheath diameter, max. (RJ45 module)	10 mm
Contact resistance (RJ45 module)	≤ 20 mΩ	Plugging force (RJ45 module)	≤ 30 N
Current capacity (RJ45 module)	1 A	Dielectric strength, contact - shielding (RJ45 module)	≤ 1500 V DC
Dielectric strength, contact - contact (RJ45 module)	≤ 1000 V DC	Colour (RJ45 module)	silver

IE-CD-V14MRJ-FJ

Weidmüller Interface GmbH & Co. KG
Klingenbergstraße 26
D-32758 Detmold
Germany

www.weidmueller.com

Technical data

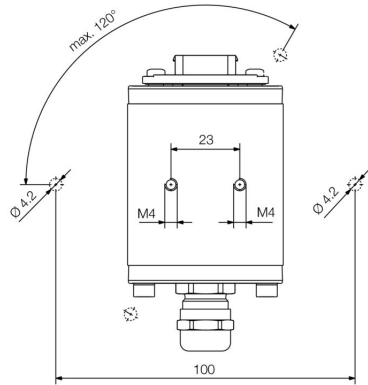
Connection 1 (RJ45 module)	IDC	Contact surface (RJ45 module)	Gold over nickel
Sheath diameter, min. (RJ45 module)	5 mm		

Classifications

ETIM 8.0	EC002597	ETIM 9.0	EC002597
ETIM 10.0	EC002597	ECLASS 14.0	27-44-03-18
ECLASS 15.0	27-44-03-18		

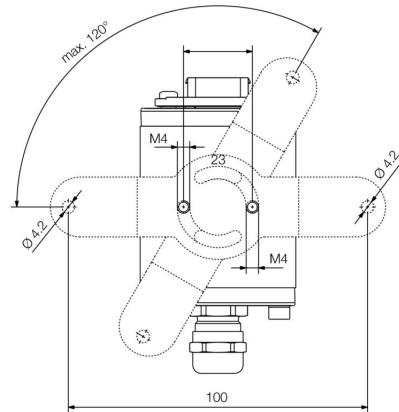
Drawings

Dimensioned drawing



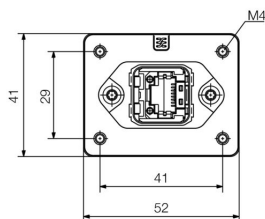
Bottom view

Dimensioned drawing



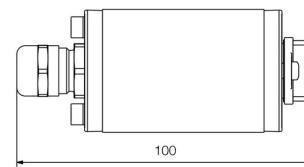
Bottom view with mounting foot

Dimensioned drawing



Front view

Dimensioned drawing



Side view

IE-CD-V14MRJ-FJ

Weidmüller Interface GmbH & Co. KG
Klingenbergstraße 26
D-32758 Detmold
Germany

www.weidmueller.com

Accessories

Mounting foot for FreeCon



At Weidmüller you can get everything you need from one source - including accessories for Industrial Ethernet.

The benefits for you:

- tools
- testing instruments
- cable bushings
- cabinet connections
- markers
- dust protection
- power packs
- overvoltage protection

General ordering data

Type	IE-CD-MA	Version	
Order No.	1099580000	Mounting foot, FreeCon, IP65	
GTIN (EAN)	4032248874040		
Qty.	10 ST		

Dust caps



For protecting your devices against dust and dirt.

General ordering data

Type	IE-BP-V14P	Version	
Order No.	1058310000	Flange-mounted housing, protective cap	
GTIN (EAN)	4032248799404		
Qty.	10 ST		

Sets - RJ45



PushPull plug-in connector set according to IEC 61076-3-117 ver.14 (PROFINET), metal incl. RJ45 insert

IE-CD-V14MRJ-FJ

Weidmüller Interface GmbH & Co. KG
 Klingenbergstraße 26
 D-32758 Detmold
 Germany

www.weidmueller.com

Accessories

General ordering data

Type	IE-PS-V14M-RJ45-FH-P	Version	
Order No.	1012170000	Plug insert RJ45 tool-free, Variant 14 metal, Cat.5 (ISO/IEC 11801)	
GTIN (EAN)	4032248719815		
Qty.	10 ST		

Dragline cable Cat.5 PUR - RJ45 V14 IP67



Assembled IE cables, PROFINET, Cat. 5, PUR, green, drag-chain compatible, PushPull plug-in connector according to IEC 61076-3-117 ver.14

General ordering data

Type	IE-C5DD4UG0010A2EA2E-X	Version	
Order No.	1119730010	Dragline cable, PROFINET, RJ45 IP 67 PushPull V14 metal, RJ45 IP	
GTIN (EAN)	4032248985463	67 PushPull V14 metal, Cat.5 (ISO/IEC 11801) / Cat.5e (TIA T568-B), PUR, 1 m	
Qty.	1 ST		