

IE-CD-V14MRJ-C-MA

Weidmüller Interface GmbH & Co. KG
Klingenbergstraße 26
D-32758 Detmold
Germany

www.weidmueller.com



Junction box / coupling, design for FreeCon PushPull
plug-in connectors ver. 14 according to IEC 61076-3-117

General ordering data

Version	Junction box, FreeCon, RJ45, Plug-in connector, IP65
Order No.	1068870000
Type	IE-CD-V14MRJ-C-MA
GTIN (EAN)	4032248823895
Qty.	1 items

IE-CD-V14MRJ-C-MA

Weidmüller Interface GmbH & Co. KG

Klingenbergstraße 26

D-32758 Detmold

Germany

www.weidmueller.com

Technical data

Approvals

Approvals



ROHS Conform

UL File Number Search [UL Website](#)

Certificate no. (cULus) E316369

Dimensions and weights

Depth	60 mm	Depth (inches)	2.3622 inch
Height	52 mm	Height (inches)	2.0472 inch
Width	41 mm	Width (inches)	1.6142 inch
Net weight	286.47 g		

Temperatures

Storage temperature	Operating temperature	-40 °C...70 °C
Installation temperature		

Environmental Product Compliance

RoHS Compliance Status	Compliant without exemption
REACH SVHC	No SVHC above 0.1 wt%

General data

UL 94 flammability rating	V-0	Colour	silver
Housing main material	Aluminium profile, Cover: die-cast zinc, painted	Type of mounting	Screw mounting
Protection degree	IP65		

Technical data RJ45 coupling

Current carrying capability (RJ45 coupling)	1 A	Dielectric strength, contact - contact, min. (RJ45 coupling)	≥ 1000 V DC
Housing base material (RJ45 coupling)	Zinc diecast	Category (RJ45 coupling)	Cat.6A / Class EA (ISO/IEC 11801 2010)
Insulation resistance (RJ45 coupling)	> 500 MΩ	Dielectric strength, contact - shielding, max. (RJ45 coupling)	≥ 1500 V DC
Contact surface (RJ45 coupling)	Gold over nickel	Contact resistance (RJ45 coupling)	≤ 20 mΩ

General standards

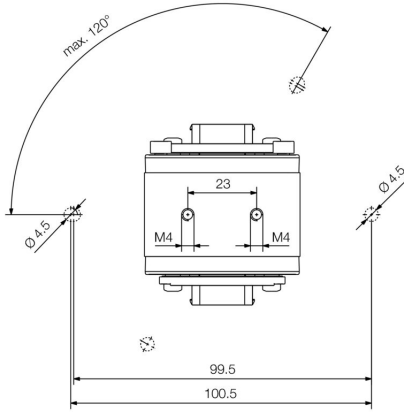
Connector standard	IEC 61076-3-117 Var. 14, IEC 60603-7-5	Certificate no. (cULus)	E316369
--------------------	--	-------------------------	---------

Classifications

ETIM 8.0	EC002597	ETIM 9.0	EC002597
ETIM 10.0	EC002597	ECLASS 14.0	27-44-03-18
ECLASS 15.0	27-44-03-18		

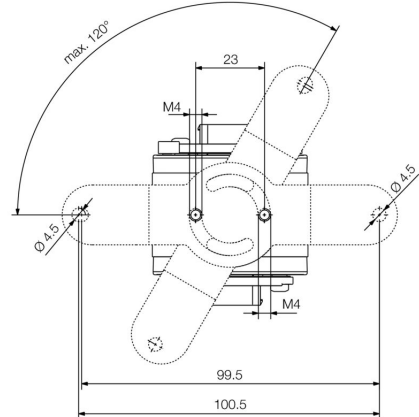
Drawings

Dimensioned drawing



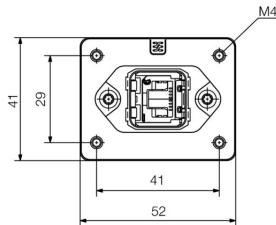
Bottom view

Dimensioned drawing



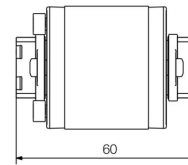
Bottom view with mounting foot

Dimensioned drawing



Front view

Dimensioned drawing



Side view