

IE-CD-V14MHYB-10P-FJ

Weidmüller Interface GmbH & Co. KG
Klingenbergstraße 26
D-32758 Detmold
Germany

www.weidmueller.com



Junction box, design for FreeCon PushPull plug-in connectors ver. 14 according to IEC 61076-3-117, metal with hybrid 10-pole Insert

General ordering data

Version	Junction box, FreeCon, Hybrid, Module, IP65
Order No.	1068850000
Type	IE-CD-V14MHYB-10P-FJ
GTIN (EAN)	4032248823925
Qty.	1 items

IE-CD-V14MHYB-10P-FJ

Weidmüller Interface GmbH & Co. KG

Klingenbergstraße 26

D-32758 Detmold

Germany

www.weidmueller.com

Technical data

Approvals

Approvals



ROHS Conform

UL File Number Search [UL Website](#)

Certificate no. (cULus) E316369

Dimensions and weights

Depth	100 mm	Depth (inches)	3.937 inch
Height	52 mm	Height (inches)	2.0472 inch
Width	41 mm	Width (inches)	1.6142 inch
Net weight	372 g		

Temperatures

Storage temperature -40 °C...75 °C Operating temperature -40 °C...70 °C

Installation temperature

Environmental Product Compliance

RoHS Compliance Status	Compliant with exemption
RoHS Exemption (if applicable/known)	6c
REACH SVHC	Lead 7439-92-1
SCIP	67cf1078-beca-4687-860b-dc475a6ec24a

General data

UL 94 flammability rating	V-0	Colour	silver
Housing main material	Aluminium profile, Cover: die-cast zinc, painted	Type of mounting	2 screws, for exposed connections, Screw mounting
Protection degree	IP65		

General standards

Connector standard IEC 61076-3-117 Var. 14 Certificate no. (cULus) E316369

Technical specifications for hybrid connector

Wire connection cross section, finely stranded, max. (hybrid connector)	0.75 mm ²	Contact surface (hybrid connector)	Gold over nickel
Sheath diameter, max. (hybrid connector)	10 mm	Plugging cycles (hybrid connector)	500
Housing base material (hybrid connector)	Zinc diecast (flange), PA 66	Wire cross-section, finely stranded, max. AWG 20 (AWG) (hybrid connector)	
Shielding (hybrid connector)	360° shield contact	Material of seal (hybrid connector)	NBR
Rated voltage (DIN EN 61984) (hybrid connector)	24 V	Sheath diameter, min. (hybrid connector)	5 mm
Wire cross-section, finely stranded, min. (AWG) (hybrid connector)	AWG 27	Contact material (hybrid connector)	Copper alloy
Contact resistance (hybrid connector)	≤ 10 mΩ	Wire connection cross section, finely stranded, min. (hybrid connector)	0.08 mm ²
Protection degree (hybrid connector)	IP65	Pole count	10
Rated current (hybrid connector)	3 A per contact		

Creation date 17.03.2026 09:40:09 MEZ

Catalogue status / Drawings

IE-CD-V14MHYB-10P-FJ

Weidmüller Interface GmbH & Co. KG
Klingenbergstraße 26
D-32758 Detmold
Germany

www.weidmueller.com

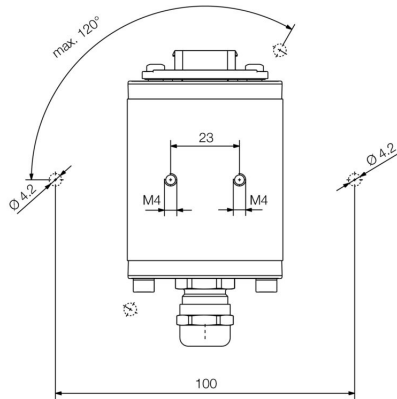
Technical data

Classifications

ETIM 8.0	EC002597	ETIM 9.0	EC002597
ETIM 10.0	EC002597	ECLASS 14.0	27-44-03-18
ECLASS 15.0	27-44-03-18		

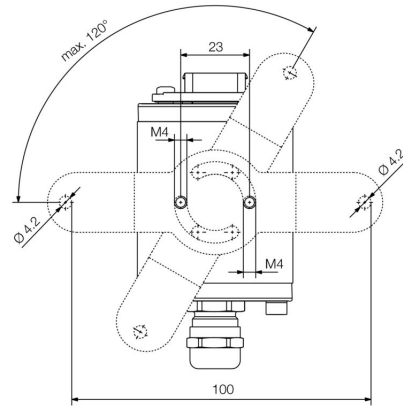
Drawings

Dimensioned drawing



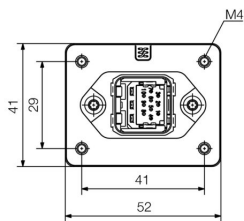
Bottom view

Dimensioned drawing



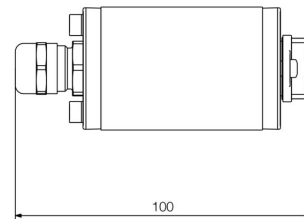
Bottom view with mounting foot

Dimensioned drawing



Front view

Dimensioned drawing



Side view

IE-CD-V14MHYB-10P-FJ

Weidmüller Interface GmbH & Co. KG
 Klingenbergstraße 26
 D-32758 Detmold
 Germany

www.weidmueller.com

Accessories

Mounting foot for FreeCon



At Weidmüller you can get everything you need from one source - including accessories for Industrial Ethernet.

The benefits for you:

- tools
- testing instruments
- cable bushings
- cabinet connections
- markers
- dust protection
- power packs
- overvoltage protection

General ordering data

Type	IE-CD-MA	Version	
Order No.	1099580000	Version	Mounting foot, FreeCon, IP65
GTIN (EAN)	4032248874040		
Qty.	10 ST		

Dust caps



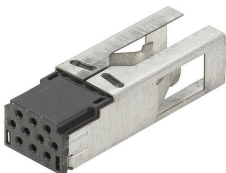
For protecting your devices against dust and dirt.

General ordering data

Type	IE-BP-V14P	Version	
Order No.	1058310000	Version	Flange-mounted housing, protective cap
GTIN (EAN)	4032248799404		
Qty.	10 ST		

Hybrid

Hybrid, 10-pole. Inserts for plug-in connectors Variant 14



IE-CD-V14MHYB-10P-FJ

Weidmüller Interface GmbH & Co. KG
 Klingenbergstraße 26
 D-32758 Detmold
 Germany

www.weidmueller.com

Accessories

General ordering data

Type	IE-BIC-HYB-P-0,2-300	Version	
Order No.	1135160000	Crimp contact, for flange insert, Hybrid	
GTIN (EAN)	4032248915477		
Qty.	300 ST		
Type	IE-BIC-HYB-P-0,5-300	Version	
Order No.	1096150000	Crimp contact, for flange insert, Hybrid	
GTIN (EAN)	4032248869114		
Qty.	300 ST		
Type	IE-BIC-HYB-P-0,75-300	Version	
Order No.	1068970000	Crimp contact, for flange insert, Hybrid	
GTIN (EAN)	4032248823956		
Qty.	300 ST		

Crimping tools



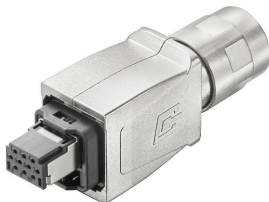
Crimping tools for Weidmüller contacts for RSV and DSTV-HD systems

- Ratchet guarantees precise crimping
- Release option in the event of incorrect operation
- With end stop for exact positioning of the contacts

General ordering data

Type	HTF HYB	Version	
Order No.	1119580000	Pressing tool, Crimping tool for contacts, 0.08mm ² , 1mm ² , FoderBcrimp	
GTIN (EAN)	4032248900626		
Qty.	1 ST		

Sets - hybrid



PushPull plug-in connector set according to IEC 61076-3-117 ver.14 (PROFINET), metal incl. hybrid insert

General ordering data

Type	IE-PS-V14M-HYB-10P	Version	
Order No.	1072910000	Hybrid plug, Cat.5 (ISO/IEC 11801)	
GTIN (EAN)	4032248831128		
Qty.	10 ST		