

## IE-CD-V14MHYB-10P-FJ

**Weidmüller Interface GmbH & Co. KG**  
Klingenbergstraße 26  
D-32758 Detmold  
Germany

[www.weidmueller.com](http://www.weidmueller.com)



Junction box, design for FreeCon PushPull plug-in connectors ver. 14 according to IEC 61076-3-117, metal with hybrid 10-pole Insert

### General ordering data

Version	Junction box, FreeCon, Hybrid, Module, IP65
Order No.	<a href="#">1068850000</a>
Type	IE-CD-V14MHYB-10P-FJ
GTIN (EAN)	4032248823925
Qty.	1 items

## IE-CD-V14MHYB-10P-FJ

Weidmüller Interface GmbH &amp; Co. KG

Klingenbergstraße 26

D-32758 Detmold

Germany

www.weidmueller.com

## Technical data

## Approvals

Approvals



ROHS Conform

UL File Number Search [UL Website](#)

Certificate no. (cULus) E316369

## Dimensions and weights

Depth	100 mm	Depth (inches)	3.937 inch
Height	52 mm	Height (inches)	2.0472 inch
Width	41 mm	Width (inches)	1.6142 inch
Net weight	372 g		

## Temperatures

Storage temperature	-40 °C...75 °C	Operating temperature	-40 °C...70 °C
Installation temperature			

## Environmental Product Compliance

RoHS Compliance Status	Compliant with exemption		
RoHS Exemption (if applicable/known)	6c		
REACH SVHC	Lead 7439-92-1		
SCIP	67cf1078-beca-4687-860b-dc475a6ec24a		

## General data

UL 94 flammability rating	V-0	Colour	silver
Housing main material	Aluminium profile, Cover: die-cast zinc, painted	Type of mounting	2 screws, for exposed connections, Screw mounting
Protection degree	IP65		

## General standards

Connector standard	IEC 61076-3-117 Var. 14	Certificate no. (cULus)	E316369
--------------------	-------------------------	-------------------------	---------

## Technical specifications for hybrid connector

Wire connection cross section, finely stranded, max. (hybrid connector)	0.75 mm <sup>2</sup>	Contact surface (hybrid connector)	Gold over nickel
Sheath diameter, max. (hybrid connector)	10 mm	Plugging cycles (hybrid connector)	500
Housing base material (hybrid connector)	Zinc diecast (flange), PA 66	Wire cross-section, finely stranded, max. AWG 20 (AWG) (hybrid connector)	
Shielding (hybrid connector)	360° shield contact	Material of seal (hybrid connector)	NBR
Rated voltage (DIN EN 61984) (hybrid connector)	24 V	Sheath diameter, min. (hybrid connector)	5 mm
Wire cross-section, finely stranded, min. (AWG) (hybrid connector)	AWG 27	Contact material (hybrid connector)	Copper alloy
Contact resistance (hybrid connector)	≤ 10 mΩ	Wire connection cross section, finely stranded, min. (hybrid connector)	0.08 mm <sup>2</sup>
Protection degree (hybrid connector)	IP65	Pole count	10
Rated current (hybrid connector)	3 A per contact		

**IE-CD-V14MHYB-10P-FJ**

**Weidmüller Interface GmbH & Co. KG**  
Klingenbergstraße 26  
D-32758 Detmold  
Germany

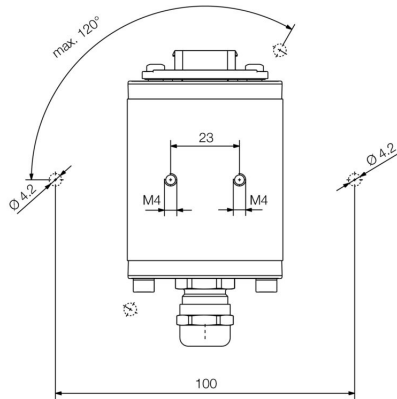
[www.weidmueller.com](http://www.weidmueller.com)

**Technical data**

**Classifications**

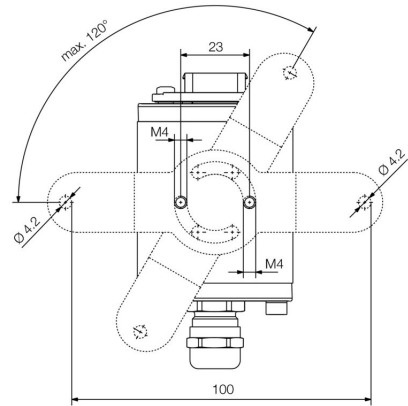
ETIM 8.0	EC002597	ETIM 9.0	EC002597
ETIM 10.0	EC002597	ECLASS 14.0	27-44-03-18
ECLASS 15.0	27-44-03-18		

**Dimensioned drawing**



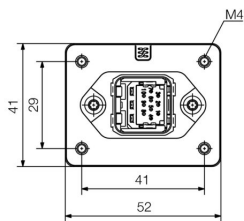
Bottom view

**Dimensioned drawing**



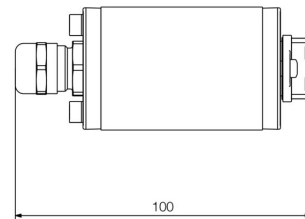
Bottom view with mounting foot

**Dimensioned drawing**



Front view

**Dimensioned drawing**



Side view