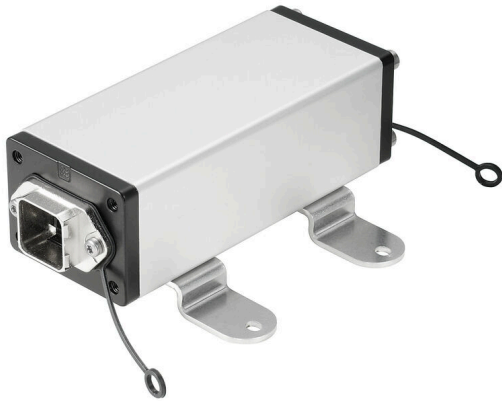


**IE-CD-V14MHYB-10P-C-MA**

**Weidmüller Interface GmbH & Co. KG**  
Klingenbergstraße 26  
D-32758 Detmold  
Germany

[www.weidmueller.com](http://www.weidmueller.com)



Coupling, design for FreeCon PushPull plug-in connectors ver.14 according to IEC 61076-3-117, metal with hybrid 10-pole Insert

**General ordering data**

|            |  |
|------------|--|
| Version    | Junction box, FreeCon, Hybrid, Plug-in connector, IP65 |
| Order No.  | <a href="#">1068840000</a>                             |
| Type       | IE-CD-V14MHYB-10P-C-MA                                 |
| GTIN (EAN) | 4032248823932  |
| Qty.       | 1 items  |

## IE-CD-V14MHYB-10P-C-MA

Weidmüller Interface GmbH &amp; Co. KG

Klingenbergstraße 26

D-32758 Detmold

Germany

www.weidmueller.com

## Technical data

## Approvals

Approvals



ROHS Conform

UL File Number Search [UL Website](#)

Certificate no. (cULus) E316369

## Dimensions and weights

|            |          |                 |             |
|------------|----------|-----------------|-------------|
| Depth      | 142 mm   | Depth (inches)  | 5.5905 inch |
| Height     | 52 mm    | Height (inches) | 2.0472 inch |
| Width      | 41 mm    | Width (inches)  | 1.6142 inch |
| Net weight | 652.82 g |                 |             |

## Temperatures

|                          |                |                       |                |
|--------------------------|----------------|-----------------------|----------------|
| Storage temperature      | -40 °C...75 °C | Operating temperature | -40 °C...70 °C |
| Installation temperature |                |                       |                |

## Environmental Product Compliance

|                                      |                                      |  |  |
|--------------------------------------|--------------------------------------|--|--|
| RoHS Compliance Status               | Compliant with exemption             |  |  |
| RoHS Exemption (if applicable/known) | 6c                                   |  |  |
| REACH SVHC                           | Lead 7439-92-1                       |  |  |
| SCIP                                 | e4cad7fc-a55e-4d5c-8f05-417a6385e9b6 |  |  |

## General data

|                           |  |                  |                |
|---------------------------|--|------------------|----------------|
| UL 94 flammability rating | V-0  | Colour           | silver         |
| Housing main material     | Aluminium profile, Cover: die-cast zinc, painted | Type of mounting | Screw mounting |
| Protection degree         | IP65   |                  |                |

## General standards

|                    |                         |                         |         |
|--------------------|-------------------------|-------------------------|---------|
| Connector standard | IEC 61076-3-117 Var. 14 | Certificate no. (cULus) | E316369 |
|--------------------|-------------------------|-------------------------|---------|

## Technical specifications for hybrid connector

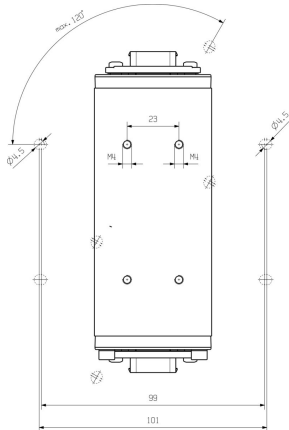
|  |                              |   |                     |
|--|------------------------------|---|---------------------|
| Contact surface (hybrid connector)       | Gold over nickel             | Plugging cycles (hybrid connector)              | 500                 |
| Housing base material (hybrid connector) | Zinc diecast (flange), PA 66 | Shielding (hybrid connector)                    | 360° shield contact |
| Material of seal (hybrid connector)      | NBR                          | Rated voltage (DIN EN 61984) (hybrid connector) | 24 V                |
| Contact material (hybrid connector)      | Copper alloy                 | Contact resistance (hybrid connector)           | ≤ 10 mΩ             |
| Protection degree (hybrid connector)     | IP65                         | Pole count                                      | 10                  |
| Rated current (hybrid connector)         | 3 A per contact              |   |                     |

## Classifications

|             |             |             |             |
|-------------|-------------|-------------|-------------|
| ETIM 8.0    | EC002597    | ETIM 9.0    | EC002597    |
| ETIM 10.0   | EC002597    | ECLASS 14.0 | 27-44-03-18 |
| ECLASS 15.0 | 27-44-03-18 |             |             |

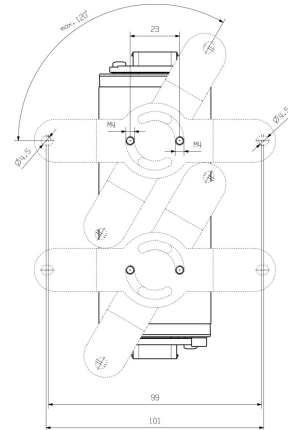
Drawings

Dimensioned drawing



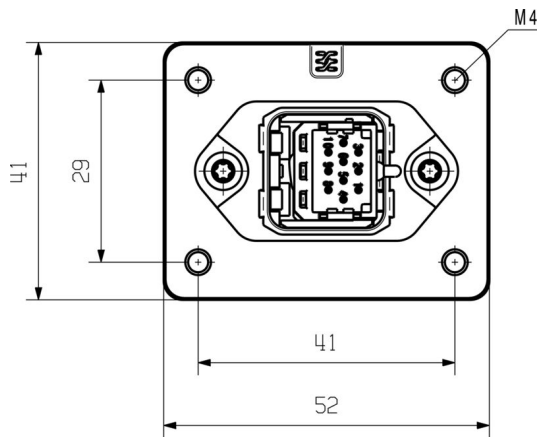
Bottom view

Dimensioned drawing



Bottom view with mounting feet

Dimensioned drawing



Front view

Dimensioned drawing



Side view

## IE-CD-V14MHYB-10P-C-MA

**Weidmüller Interface GmbH & Co. KG**  
 Klingenbergstraße 26  
 D-32758 Detmold  
 Germany

[www.weidmueller.com](http://www.weidmueller.com)

## Accessories

### Dust caps

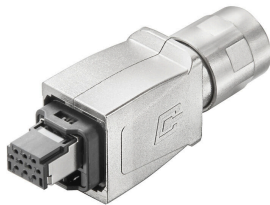


For protecting your devices against dust and dirt.

### General ordering data

|            |                            |  |  |
|------------|----------------------------|--|--|
| Type       | IE-BP-V14P                 | Version                                |  |
| Order No.  | <a href="#">1058310000</a> | Flange-mounted housing, protective cap |  |
| GTIN (EAN) | 4032248799404              |  |  |
| Qty.       | 10 ST                      |  |  |

### Sets - hybrid



PushPull plug-in connector set according to IEC 61076-3-117 ver.14 (PROFINET), metal incl. hybrid insert

### General ordering data

|            |                            |                                    |  |
|------------|----------------------------|------------------------------------|--|
| Type       | IE-PS-V14M-HYB-10P         | Version                            |  |
| Order No.  | <a href="#">1072910000</a> | Hybrid plug, Cat.5 (ISO/IEC 11801) |  |
| GTIN (EAN) | 4032248831128              |                                    |  |
| Qty.       | 10 ST                      |                                    |  |