

IE-CD-V14MRJ/VAPM24V-FJ

Weidmüller Interface GmbH & Co. KG
Klingenbergstraße 26
D-32758 Detmold
Germany

www.weidmueller.com



Double junction box / coupling, design for FreeCon PushPull plug-in connectors ver.14 according to IEC 61076-3-117 with RJ45 and PushPull Power

General ordering data

Version	Junction box, FreeCon, RJ45 module, Supply, IP65
Order No.	1068830000
Type	IE-CD-V14MRJ/VAPM24V-FJ
GTIN (EAN)	4032248824014
Qty.	1 items

IE-CD-V14MRJ/VAPM24V-FJ

Weidmüller Interface GmbH & Co. KG
Klingenbergstraße 26
D-32758 Detmold
Germany

www.weidmueller.com

Technical data

Approvals

Approvals



ROHS Conform

UL File Number Search [UL Website](#)

Certificate no. (cULus) E316369

Dimensions and weights

Depth	100 mm	Depth (inches)	3.937 inch
Height	52 mm	Height (inches)	2.0472 inch
Width	80 mm	Width (inches)	3.1496 inch
Net weight	597.72 g		

Temperatures

Storage temperature	Operating temperature	-40 °C...70 °C
Installation temperature		

Environmental Product Compliance

RoHS Compliance Status	Compliant with exemption
RoHS Exemption (if applicable/known)	6c
REACH SVHC	Lead 7439-92-1
SCIP	67cf1078-beca-4687-860b-dc475a6ec24a

General data

UL 94 flammability rating	V-0	Colour	silver
Housing main material	Aluminium profile, Cover: die-cast zinc, painted	Weight	471 g
Type of mounting	Screw mounting	Protection degree	IP65
Wiring	PROFINET		

General standards

Connector standard	IEC 61076-3-117 Var. 14, IEC 60603-7-5	UL standard for communication accessories	UL 1863
Application-specific communication cable facilities	PROFINET installation instructions	IP protection classes	IEC 60529
Certificate no. (cULus)	E316369		

Technical data RJ45 module

Wire cross-section, finely stranded, max. AWG 22 (AWG)	Wire cross-section, finely stranded, min. AWG 26 (AWG)		
Wiring	PROFINET	Category (RJ45 module)	Cat.5 (ISO/IEC 11801)
Plugging cycles (RJ45 module)	750	Insulation resistance (RJ45 module)	> 500 MΩ
Shielding (RJ45 module)	360° shield contact	Connection 2 (RJ45 module)	RJ45
Housing base material (RJ45 module)	Zinc diecast	Sheath diameter, max. (RJ45 module)	10 mm
Contact resistance (RJ45 module)	≤ 20 mΩ	Plugging force (RJ45 module)	≤ 30 N
Current capacity (RJ45 module)	1 A	Dielectric strength, contact - shielding (RJ45 module)	≤ 1500 V DC
Dielectric strength, contact - contact (RJ45 module)	≤ 1000 V DC	Colour (RJ45 module)	silver

Creation date 18.02.2026 12:08:32 MEZ

Catalogue status / Drawings

IE-CD-V14MRJ/VAPM24V-FJ

Weidmüller Interface GmbH & Co. KG

Klingenbergstraße 26

D-32758 Detmold

Germany

www.weidmueller.com

Technical data

Connection 1 (RJ45 module)	IDC	Contact surface (RJ45 module)	Gold over nickel
Sheath diameter, min. (RJ45 module)	5 mm		

Technical specifications for power connector

Wire connection cross section, stranded, rated connection, min. (power connector)	0.75 mm ²	Wire connection cross section, finely stranded, max. (power connector)	2.5 mm ²
Colour (power connector)	Silver grey	Current capacity at 50 °C (power connector)	16 A
Connection cross-section AWG, min. (power connector)	18.00	Contact material (power connector)	Copper alloy
Wire connection cross section, finely stranded, min. (power connector)	0.75 mm ²	Wire connection cross section, stranded, rated connection, max. (power connector)	2.5 mm ²
Pollution degree (power connector)	2	Interlock type (power connector)	Push Pull
Connection cross-section AWG, max. (power connector)	13.00	Housing base material (power connector)	Zinc diecast, nickel-plated
Cable seal material (power connector)	TPE	Connection 2 (power connector)	Tension clamp
Plugging cycles (power connector)	≤ 100	Contact surface (power connector)	Gold over nickel
Seal material (power connector)	NBR	Contact carrier material (power connector)	PA
Sheath diameter, min. (power connector)	6 mm	Sheath diameter, max. (power connector)	12 mm
Nominal voltage (power connector)	24 V		

Classifications

ETIM 8.0	EC002597	ETIM 9.0	EC002597
ETIM 10.0	EC002597	ECLASS 14.0	27-44-03-18
ECLASS 15.0	27-44-03-18		

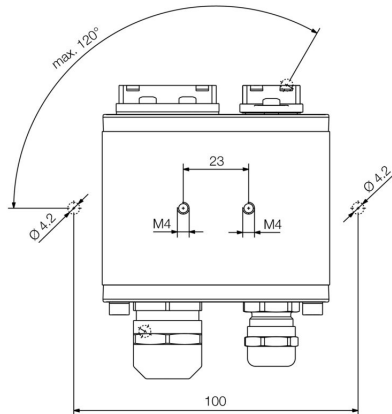
IE-CD-V14MRJ/VAPM24V-FJ

Weidmüller Interface GmbH & Co. KG
 Klingenbergstraße 26
 D-32758 Detmold
 Germany

www.weidmueller.com

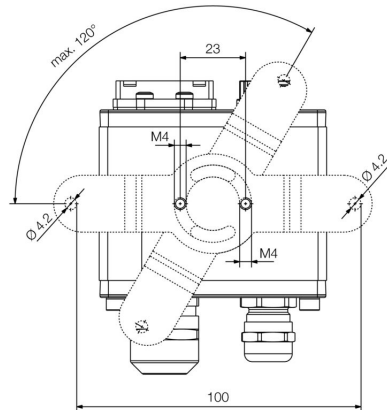
Drawings

Dimensioned drawing



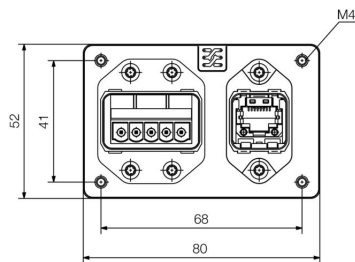
Bottom view

Dimensioned drawing



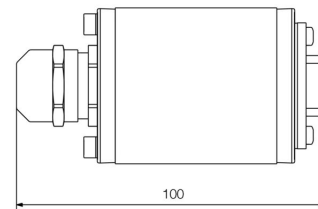
Bottom view with mounting foot

Dimensioned drawing



Front view

Dimensioned drawing



Side view

Wiring diagram

RJ45		RJ45		Power		Power
1	————	1		1	————	1
2	————	2		2	————	2
3	————	3		3	————	3
6	————	6		4	————	4
				5	————	5

IE-CD-V14MRJ/VAPM24V-FJ

Weidmüller Interface GmbH & Co. KG
 Klingenbergstraße 26
 D-32758 Detmold
 Germany

www.weidmueller.com

Accessories

Mounting foot for FreeCon



At Weidmüller you can get everything you need from one source - including accessories for Industrial Ethernet.

The benefits for you:

- tools
- testing instruments
- cable bushings
- cabinet connections
- markers
- dust protection
- power packs
- overvoltage protection

General ordering data

Type	IE-CD-MA	Version	
Order No.	1099580000	Version	Mounting foot, FreeCon, IP65
GTIN (EAN)	4032248874040		
Qty.	10 ST		

Dust caps

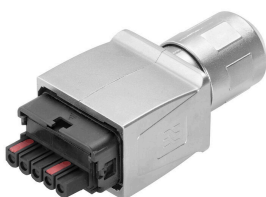


For protecting your devices against dust and dirt.

General ordering data

Type	IE-BP-VAPP	Version	
Order No.	1068930000	Version	Flange-mounted housing, protective cap
GTIN (EAN)	4032248823093		
Qty.	10 ST		
Type	IE-BP-V14P	Version	
Order No.	1058310000	Version	Flange-mounted housing, protective cap
GTIN (EAN)	4032248799404		
Qty.	10 ST		

Sets



PushPull Power plug-in connector according to PROFINET specification

IE-CD-V14MRJ/VAPM24V-FJ

Weidmüller Interface GmbH & Co. KG
 Klingenbergstraße 26
 D-32758 Detmold
 Germany

www.weidmueller.com

Accessories

General ordering data

Type	IE-PS-VAPM-5P-2.5	Version	
Order No.	2465440000	Version	Power connector, Plug, PROFINET, Set of connectors
GTIN (EAN)	4050118522136		
Qty.	1 ST		

Sets - RJ45



PushPull plug-in connector set according to IEC 61076-3-117 ver.14 (PROFINET), metal incl. RJ45 insert

General ordering data

Type	IE-PS-V14M-RJ45-FH-P	Version	
Order No.	1012170000	Version	Plug insert RJ45 tool-free, Variant 14 metal, Cat.5 (ISO/IEC 11801)
GTIN (EAN)	4032248719815		
Qty.	10 ST		

PVC



Assembled IE cables, PROFINET, with push-pull power plug connector according to PROFINET specifications

General ordering data

Type	IE-CSPS5VS0010VAPVAP-X	Version	
Order No.	1350120010	Version	System cable, PushPull Power, PushPull Power, PVC, 1 m
GTIN (EAN)	4050118165296		
Qty.	1 ST		

IE-CD-V14MRJ/VAPM24V-FJ

Weidmüller Interface GmbH & Co. KG
Klingenbergstraße 26
D-32758 Detmold
Germany

www.weidmueller.com

Accessories

Dragline cable Cat.5 PUR - RJ45 V14 IP67



Assembled IE cables, PROFINET, Cat. 5, PUR, green, drag-chain compatible, PushPull plug-in connector according to IEC 61076-3-117 ver.14

General ordering data

Type	IE-C5DD4UG0010A2EA2E-X	Version	
Order No.	1119730010	Dragline cable, PROFINET, RJ45 IP 67 PushPull V14 metal, RJ45 IP	
GTIN (EAN)	4032248985463	67 PushPull V14 metal, Cat.5 (ISO/IEC 11801) / Cat.5e (TIA T568-	
Qty.	1 ST	B), PUR, 1 m	