

## IE-CD-V14MRJ/VAPM24V-FJ

**Weidmüller Interface GmbH & Co. KG**  
Klingenbergstraße 26  
D-32758 Detmold  
Germany

[www.weidmueller.com](http://www.weidmueller.com)



Double junction box / coupling, design for FreeCon PushPull plug-in connectors ver.14 according to IEC 61076-3-117 with RJ45 and PushPull Power

### General ordering data

Version	Junction box, FreeCon, RJ45 module, Supply, IP65
Order No.	<a href="#">1068830000</a>
Type	IE-CD-V14MRJ/VAPM24V-FJ
GTIN (EAN)	4032248824014
Qty.	1 items

## IE-CD-V14MRJ/VAPM24V-FJ

Weidmüller Interface GmbH & Co. KG  
Klingenbergstraße 26  
D-32758 Detmold  
Germany

www.weidmueller.com

## Technical data

## Approvals

Approvals



ROHS	Conform
UL File Number Search	<a href="#">UL Website</a>
Certificate no. (cULus)	E316369

## Dimensions and weights

Depth	100 mm	Depth (inches)	3.937 inch
Height	52 mm	Height (inches)	2.0472 inch
Width	80 mm	Width (inches)	3.1496 inch
Net weight	597.72 g		

## Temperatures

Storage temperature	Operating temperature	-40 °C...70 °C
Installation temperature		

## Environmental Product Compliance

RoHS Compliance Status	Compliant with exemption
RoHS Exemption (if applicable/known)	6c
REACH SVHC	Lead 7439-92-1
SCIP	67cf1078-beca-4687-860b-dc475a6ec24a

## General data

UL 94 flammability rating	V-0	Colour	silver
Housing main material	Aluminium profile, Cover: die-cast zinc, painted	Weight	471 g
Type of mounting	Screw mounting	Protection degree	IP65
Wiring	PROFINET		

## General standards

Connector standard	IEC 61076-3-117 Var. 14, IEC 60603-7-5	UL standard for communication accessories	UL 1863
Application-specific communication cable facilities	PROFINET installation instructions	IP protection classes	IEC 60529
Certificate no. (cULus)	E316369		

## Technical data RJ45 module

Wire cross-section, finely stranded, max. AWG 22 (AWG)	Wire cross-section, finely stranded, min. AWG 26 (AWG)		
Wiring	PROFINET	Category (RJ45 module)	Cat.5 (ISO/IEC 11801)
Plugging cycles (RJ45 module)	750	Insulation resistance (RJ45 module)	> 500 MΩ
Shielding (RJ45 module)	360° shield contact	Connection 2 (RJ45 module)	RJ45
Housing base material (RJ45 module)	Zinc diecast	Sheath diameter, max. (RJ45 module)	10 mm
Contact resistance (RJ45 module)	≤ 20 mΩ	Plugging force (RJ45 module)	≤ 30 N
Current capacity (RJ45 module)	1 A	Dielectric strength, contact - shielding (RJ45 module)	≤ 1500 V DC
Dielectric strength, contact - contact (RJ45 module)	≤ 1000 V DC	Colour (RJ45 module)	silver

Creation date 24.02.2026 11:58:43 MEZ

Catalogue status / Drawings

## IE-CD-V14MRJ/VAPM24V-FJ

**Weidmüller Interface GmbH & Co. KG**  
 Klingenbergstraße 26  
 D-32758 Detmold  
 Germany

www.weidmueller.com

## Technical data

Connection 1 (RJ45 module)	IDC	Contact surface (RJ45 module)	Gold over nickel
Sheath diameter, min. (RJ45 module)	5 mm		

## Technical specifications for power connector

Wire connection cross section, stranded, rated connection, min. (power connector)	0.75 mm <sup>2</sup>	Wire connection cross section, finely stranded, max. (power connector)	2.5 mm <sup>2</sup>
Colour (power connector)	Silver grey	Current capacity at 50 °C (power connector)	16 A
Connection cross-section AWG, min. (power connector)	18.00	Contact material (power connector)	Copper alloy
Wire connection cross section, finely stranded, min. (power connector)	0.75 mm <sup>2</sup>	Wire connection cross section, stranded, rated connection, max. (power connector)	2.5 mm <sup>2</sup>
Pollution degree (power connector)	2	Interlock type (power connector)	Push Pull
Connection cross-section AWG, max. (power connector)	13.00	Housing base material (power connector)	Zinc diecast, nickel-plated
Cable seal material (power connector)	TPE	Connection 2 (power connector)	Tension clamp
Plugging cycles (power connector)	≤ 100	Contact surface (power connector)	Gold over nickel
Seal material (power connector)	NBR	Contact carrier material (power connector)	PA
Sheath diameter, min. (power connector)	6 mm	Sheath diameter, max. (power connector)	12 mm
Nominal voltage (power connector)	24 V		

## Classifications

ETIM 8.0	EC002597	ETIM 9.0	EC002597
ETIM 10.0	EC002597	ECLASS 14.0	27-44-03-18
ECLASS 15.0	27-44-03-18		

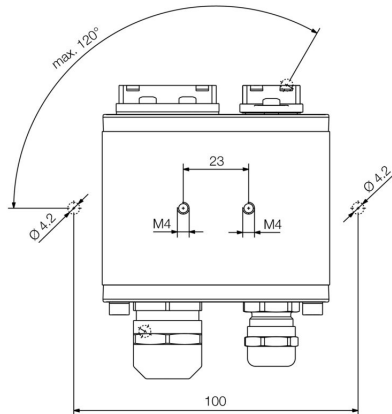
**IE-CD-V14MRJ/VAPM24V-FJ**

**Weidmüller Interface GmbH & Co. KG**  
 Klingenbergstraße 26  
 D-32758 Detmold  
 Germany

www.weidmueller.com

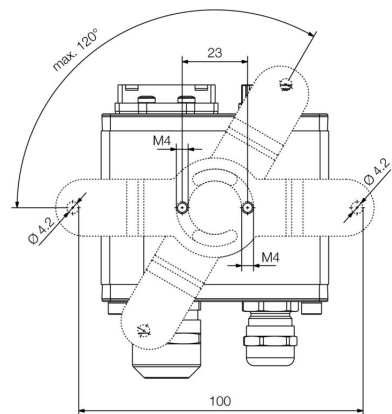
**Drawings**

**Dimensioned drawing**



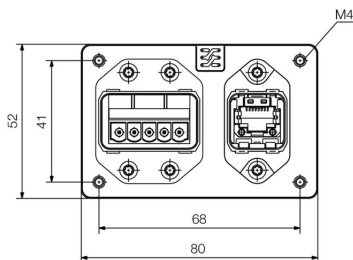
Bottom view

**Dimensioned drawing**



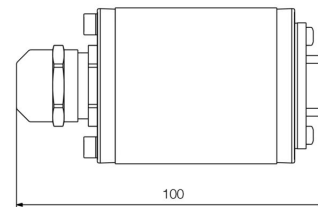
Bottom view with mounting foot

**Dimensioned drawing**



Front view

**Dimensioned drawing**



Side view

**Wiring diagram**

RJ45	RJ45	Power	Power
1	1	1	1
2	2	2	2
3	3	3	3
6	6	4	4
		5	5