

IE-CD-V14MRJ/VAPM24V-C-MA

Weidmüller Interface GmbH & Co. KG
Klingenbergstraße 26
D-32758 Detmold
Germany

www.weidmueller.com



Double junction box / coupling, design for FreeCon PushPull plug-in connectors ver.14 according to IEC 61076-3-117 with RJ45 and PushPull Power

General ordering data

Version	Junction box, FreeCon, RJ45, Plug-in connector, Supply, IP65
Order No.	1068820000
Type	IE-CD-V14MRJ/VAPM24V-C-MA
GTIN (EAN)	4032248823918
Qty.	1 items

IE-CD-V14MRJ/VAPM24V-C-MA

Weidmüller Interface GmbH & Co. KG

Klingenbergstraße 26

D-32758 Detmold

Germany

www.weidmueller.com

Technical data

Approvals

Approvals



ROHS Conform

UL File Number Search [UL Website](#)

Certificate no. (cULus) E316369

Dimensions and weights

Depth	61 mm	Depth (inches)	2.4016 inch
Height	52 mm	Height (inches)	2.0472 inch
Width	80 mm	Width (inches)	3.1496 inch
Net weight	451.6 g		

Temperatures

Storage temperature	Operating temperature	-40 °C...70 °C
Installation temperature		

Environmental Product Compliance

RoHS Compliance Status	Compliant without exemption
REACH SVHC	No SVHC above 0.1 wt%

General data

UL 94 flammability rating	V-0	Colour	silver
Housing main material	Aluminium profile, Cover: die-cast zinc, painted	Type of mounting	Screw mounting
Protection degree	IP65	Plugging cycles	≥ 100

Technical data RJ45 coupling

Current carrying capability (RJ45 coupling)	1 A	Dielectric strength, contact - contact, min. (RJ45 coupling)	≥ 1000 V DC
Housing base material (RJ45 coupling)	Zinc diecast	Category (RJ45 coupling)	Cat.6A / Class EA (ISO/IEC 11801 2010)
Insulation resistance (RJ45 coupling)	> 500 MΩ	Dielectric strength, contact - shielding, max. (RJ45 coupling)	≥ 1500 V DC
Contact surface (RJ45 coupling)	Gold over nickel	Contact resistance (RJ45 coupling)	≤ 20 mΩ

General standards

Connector standard	IEC 61076-3-117 Var. 14, IEC 60603-7-5	Certificate no. (cULus)	E316369
--------------------	--	-------------------------	---------

Technical specifications for power connector

Current capacity at 50 °C (power connector)	16 A	Contact material (power connector)	Copper alloy
Pollution degree (power connector)	2	Interlock type (power connector)	Push Pull
Housing base material (power connector)	Zinc diecast, nickel-plated	Cable seal material (power connector)	TPE
Plugging cycles (power connector)	≤ 100	Contact surface (power connector)	Gold over nickel

IE-CD-V14MRJ/VAPM24V-C-MA

Weidmüller Interface GmbH & Co. KG
Klingenbergstraße 26
D-32758 Detmold
Germany

www.weidmueller.com

Technical data

Seal material (power connector)	NBR	Contact carrier material (power connector)	PA
Nominal voltage (power connector)	24 V		

Classifications

ETIM 8.0	EC002597	ETIM 9.0	EC002597
ETIM 10.0	EC002597	ECLASS 14.0	27-44-03-18
ECLASS 15.0	27-44-03-18		

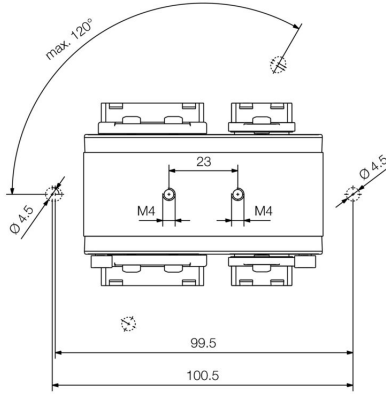
IE-CD-V14MRJ/VAPM24V-C-MA

Weidmüller Interface GmbH & Co. KG
 Klingenbergstraße 26
 D-32758 Detmold
 Germany

www.weidmueller.com

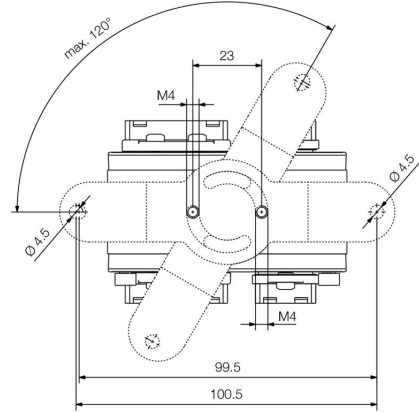
Drawings

Dimensioned drawing



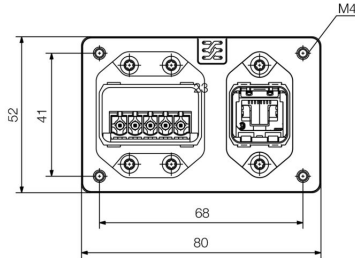
Bottom view

Dimensioned drawing



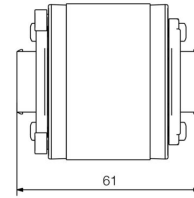
Bottom view with mounting foot

Dimensioned drawing



Front view

Dimensioned drawing



Side view

Wiring diagram

RJ45	RJ45	Power	Power
1 ——— 1	1	1 ——— 1	
2 ——— 2	2	2 ——— 2	
3 ——— 3	3	3 ——— 3	
4 ——— 4	4	4 ——— 4	
5 ——— 5	5	5 ——— 5	
6 ——— 6			
7 ——— 7			
8 ——— 8			

IE-CD-V14MRJ/VAPM24V-C-MA

Weidmüller Interface GmbH & Co. KG
 Klingenbergstraße 26
 D-32758 Detmold
 Germany

www.weidmueller.com

Accessories

Dust caps



For protecting your devices against dust and dirt.

General ordering data

Type	IE-BP-VAPP	Version	
Order No.	1068930000	Flange-mounted housing, protective cap	
GTIN (EAN)	4032248823093		
Qty.	10 ST		
Type	IE-BP-V14P	Version	
Order No.	1058310000	Flange-mounted housing, protective cap	
GTIN (EAN)	4032248799404		
Qty.	10 ST		

Sets



PushPull Power plug-in connector according to PROFINET specification

General ordering data

Type	IE-PS-VAPM-5P-2.5	Version	
Order No.	2465440000	Power connector, Plug, PROFINET, Set of connectors	
GTIN (EAN)	4050118522136		
Qty.	1 ST		

Sets - RJ45



PushPull plug-in connector set according to IEC 61076-3-117 ver.14 (PROFINET), metal incl. RJ45 insert

IE-CD-V14MRJ/VAPM24V-C-MA

Weidmüller Interface GmbH & Co. KG
 Klingenbergstraße 26
 D-32758 Detmold
 Germany

www.weidmueller.com

Accessories

General ordering data

Type	IE-PS-V14M-RJ45-FH-P	Version	
Order No.	1012170000	Version	Plug insert RJ45 tool-free, Variant 14 metal, Cat.5 (ISO/IEC 11801)
GTIN (EAN)	4032248719815		
Qty.	10 ST		

PVC



Assembled IE cables, PROFINET, with push-pull power plug connector according to PROFINET specifications

General ordering data

Type	IE-CSPS5VS0010VAPVAP-X	Version	
Order No.	1350120010	Version	System cable, PushPull Power, PushPull Power, PVC, 1 m
GTIN (EAN)	4050118165296		
Qty.	1 ST		

Dragline cable Cat.5 PUR - RJ45 V14 IP67



Assembled IE cables, PROFINET, Cat. 5, PUR, green, drag-chain compatible, PushPull plug-in connector according to IEC 61076-3-117 ver.14

General ordering data

Type	IE-C5DD4UG0010A2EA2E-X	Version	
Order No.	1119730010	Version	Dragline cable, PROFINET, RJ45 IP 67 PushPull V14 metal, RJ45 IP 67 PushPull V14 metal, Cat.5 (ISO/IEC 11801) / Cat.5e (TIA T568-B), PUR, 1 m
GTIN (EAN)	4032248985463		
Qty.	1 ST		