

## IE-CD-V14MRJ/VAPM24V-C-MA

**Weidmüller Interface GmbH & Co. KG**  
Klingenbergstraße 26  
D-32758 Detmold  
Germany

[www.weidmueller.com](http://www.weidmueller.com)



Double junction box / coupling, design for FreeCon PushPull plug-in connectors ver.14 according to IEC 61076-3-117 with RJ45 and PushPull Power

### General ordering data

Version	Junction box, FreeCon, RJ45, Plug-in connector, Supply, IP65
Order No.	<a href="#">1068820000</a>
Type	IE-CD-V14MRJ/VAPM24V-C-MA
GTIN (EAN)	4032248823918
Qty.	1 items

## IE-CD-V14MRJ/VAPM24V-C-MA

Weidmüller Interface GmbH &amp; Co. KG

Klingenbergstraße 26

D-32758 Detmold

Germany

www.weidmueller.com

## Technical data

## Approvals

Approvals



ROHS Conform

UL File Number Search [UL Website](#)

Certificate no. (cULus) E316369

## Dimensions and weights

Depth	61 mm	Depth (inches)	2.4016 inch
Height	52 mm	Height (inches)	2.0472 inch
Width	80 mm	Width (inches)	3.1496 inch
Net weight	451.6 g		

## Temperatures

Storage temperature	Operating temperature	-40 °C...70 °C
Installation temperature		

## Environmental Product Compliance

RoHS Compliance Status	Compliant without exemption
REACH SVHC	No SVHC above 0.1 wt%

## General data

UL 94 flammability rating	V-0	Colour	silver
Housing main material	Aluminium profile, Cover: die-cast zinc, painted	Type of mounting	Screw mounting
Protection degree	IP65	Plugging cycles	≥ 100

## Technical data RJ45 coupling

Current carrying capability (RJ45 coupling)	1 A	Dielectric strength, contact - contact, min. (RJ45 coupling)	≥ 1000 V DC
Housing base material (RJ45 coupling)	Zinc diecast	Category (RJ45 coupling)	Cat.6A / Class EA (ISO/IEC 11801 2010)
Insulation resistance (RJ45 coupling)	> 500 MΩ	Dielectric strength, contact - shielding, max. (RJ45 coupling)	≥ 1500 V DC
Contact surface (RJ45 coupling)	Gold over nickel	Contact resistance (RJ45 coupling)	≤ 20 mΩ

## General standards

Connector standard	IEC 61076-3-117 Var. 14, IEC 60603-7-5	Certificate no. (cULus)	E316369
--------------------	--	-------------------------	---------

## Technical specifications for power connector

Current capacity at 50 °C (power connector)	16 A	Contact material (power connector)	Copper alloy
Pollution degree (power connector)	2	Interlock type (power connector)	Push Pull
Housing base material (power connector)	Zinc diecast, nickel-plated	Cable seal material (power connector)	TPE
Plugging cycles (power connector)	≤ 100	Contact surface (power connector)	Gold over nickel

## IE-CD-V14MRJ/VAPM24V-C-MA

**Weidmüller Interface GmbH & Co. KG**  
Klingenbergstraße 26  
D-32758 Detmold  
Germany

[www.weidmueller.com](http://www.weidmueller.com)

## Technical data

Seal material (power connector)	NBR	Contact carrier material (power connector)	PA
Nominal voltage (power connector)	24 V		

### Classifications

ETIM 8.0	EC002597	ETIM 9.0	EC002597
ETIM 10.0	EC002597	ECLASS 14.0	27-44-03-18
ECLASS 15.0	27-44-03-18		

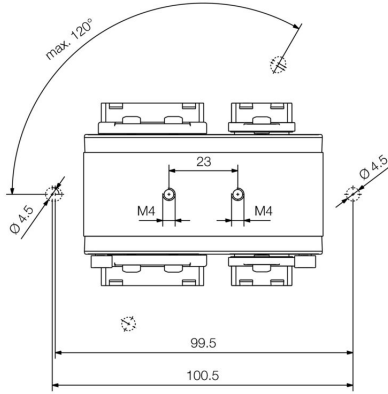
**IE-CD-V14MRJ/VAPM24V-C-MA**

**Weidmüller Interface GmbH & Co. KG**  
 Klingenbergstraße 26  
 D-32758 Detmold  
 Germany

www.weidmueller.com

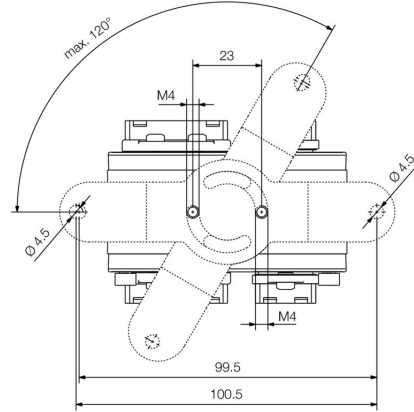
**Drawings**

**Dimensioned drawing**



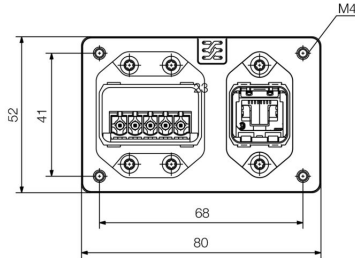
Bottom view

**Dimensioned drawing**



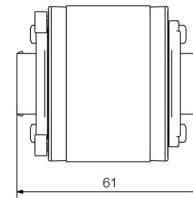
Bottom view with mounting foot

**Dimensioned drawing**



Front view

**Dimensioned drawing**



Side view

**Wiring diagram**

RJ45	RJ45	Power	Power
1 ——— 1	1 ——— 1	1 ——— 1	1 ——— 1
2 ——— 2	2 ——— 2	2 ——— 2	2 ——— 2
3 ——— 3	3 ——— 3	3 ——— 3	3 ——— 3
4 ——— 4	4 ——— 4	4 ——— 4	4 ——— 4
5 ——— 5	5 ——— 5	5 ——— 5	5 ——— 5
6 ——— 6			
7 ——— 7			
8 ——— 8			