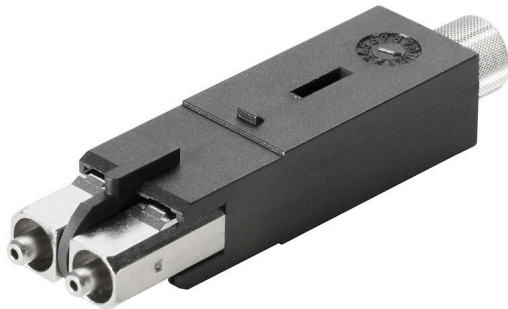


IE-PI-SCRJ-SM

Weidmüller Interface GmbH & Co. KG
Klingenbergstraße 26
D-32758 Detmold
Germany

www.weidmueller.com



FO SC inserts for plug-in connectors ver.1 / 4 / 14

General ordering data

Version	SC insert, Plug SCRJ, singlemode
Order No.	1067390000
Type	IE-PI-SCRJ-SM
GTIN (EAN)	4032248820863
Qty.	10 items
Delivery status	This article will no longer be available in the future.
Available until	2025-04-08T00:00:00+02:00

Technical data

Approvals

Approvals



ROHS Conform

UL File Number Search [UL Website](#)

Certificate No. (UL) E477798

Dimensions and weights

Depth	56 mm	Depth (inches)	2.2047 inch
Height	10.5 mm	Height (inches)	0.4134 inch
Width	13.2 mm	Width (inches)	0.5197 inch
Net weight	19.4 g		

Temperatures

Storage temperature Operating temperature -40 °C...70 °C

Installation temperature

Environmental Product Compliance

RoHS Compliance Status Compliant

REACH SVHC Lead 7439-92-1

SCIP 67cf1078-beca-4687-860b-dc475a6ec24a

General data

Description of article	Plug SCRJ, singlemode	Colour	Miscellaneous
Housing main material	Zinc diecast, PA	Protection degree	IP67 with housing
Plugging cycles	1000	Composition	Connector and flange insert for variant 1, 4 and 14 housings
Fibre type	Singlemode	Insertion loss	≤ 0.5 dB
Connection 1	SCRJ	Connection 2	Crimp
Return loss (attenuation)	≥ 40 dB	Ferrule material	Zirconia

General standards

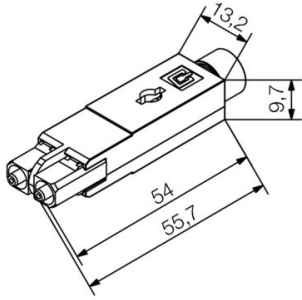
Connector standard IEC 61754-24 Certificate No. (UL) E477798

Classifications

ETIM 8.0	EC001122	ETIM 9.0	EC001122
ETIM 10.0	EC001122	ECLASS 14.0	19-17-01-22
ECLASS 15.0	19-17-01-22		

Drawings

Dimensioned drawing



IE-PI-SCRJ-SM

Weidmüller Interface GmbH & Co. KG
 Klingenbergstraße 26
 D-32758 Detmold
 Germany

www.weidmueller.com

Accessories

Crimp Sets



Crimp sets

General ordering data

Type	TOOL SET IE-POF	Version
Order No.	1208930000	Crimping tool: HTX-IE-POF, Stripping tool: Multi-Stripax IE-POF
GTIN (EAN)	4032248990283	
Qty.	1 ST	

...for fibre-optic cable with polymer optical fibres (POF)



Crimping and stripping tools for processing the fibre-optic-cable contacts of polymer optical fibres (POF)

General ordering data

Type	HTX-IE-POF	Version
Order No.	1208870000	Pressing tool
GTIN (EAN)	4032248990269	
Qty.	1 ST	

...for fiber-optic connectors SC, ST & LC



GOF

- For fibre-optic SC/ST, IP 20 and IP 67 connectors
- For fibre-optic LC and IP 67 connectors

POF

- For polymer fibre-optic SC/ST, IP 20 and IP 67 connectors
- For fibre-optic, Profinet and Mobil cable SC/ST and IP 67 connectors

General ordering data

Type	IE-CT-SC-GOF	Version
Order No.	9205320000	Pressing tool, Hexagonal crimp
GTIN (EAN)	4032248725458	
Qty.	1 ST	

Accessories

Type	IE-CT-SC-GOF-P	Version	
Order No.	9205350000	Pressing tool, Hexagonal crimp	
GTIN (EAN)	4032248725489		
Qty.	1 ST		