

SAIL-M12GM12W-CD-10B

Weidmüller Interface GmbH & Co. KG

Klingenbergstraße 26

D-32758 Detmold

Germany

www.weidmueller.com



The most reliable way of achieving connections between two I/O slaves or between the control and one I/O subscriber is by way of pre-assembled cables. The line of cables covers PROFIBUS, CANopen, DeviceNet™, EtherCAT and Ethernet.

General ordering data

Version	Bus line, Connecting line, M12 / M12, Number of poles: 5, 10 m, pin, straight - socket, 90°, Shielded: Yes, LED: No, Sheath material: PVC, Halogen: Yes
Order No.	1062191000
Type	SAIL-M12GM12W-CD-10B
GTIN (EAN)	4032248812028
Qty.	1 items

SAIL-M12GM12W-CD-10B

Weidmüller Interface GmbH & Co. KG
 Klingenbergstraße 26
 D-32758 Detmold
 Germany

www.weidmueller.com

Technical data

Approvals

Approvals



ROHS Conform

UL File Number Search [UL Website](#)

Certificate no. (cULus) E307231

Dimensions and weights

Net weight 664 g

Environmental Product Compliance

RoHS Compliance Status Compliant with exemption

RoHS Exemption (if applicable/known) 6c

REACH SVHC Lead 7439-92-1

SCIP 1c533b66-fcff-4da5-b89f-fd55fbf5cb55

Technical specifications for cable

Cable length	10 m	Sheathing colour	violet
Suitable for cable carriers	No	Shielded	Yes
Halogen	Yes	Insulation	PVC
Acceleration	5 m/s ²	Bending radius, min., moving	10 x cable diameter
Bending radius, min., stationary	5 x cable diameter	Bending cycles	3 Mio
Wire cross section (Print/Online)	2 x 0.34 mm ² + 2 x 0.22 mm ²	Speed	180 m/s
Sheath material	PVC	Configurable cable length	No
Outer cladding in accordance with UL AWM style	2571 (80 °C)	Hybrid cable	No
Irradiation crosslinked	No	Welding spark resistance	No
Colour coding	white, blue, red, black	Temperature range, stationary	-40...80 °C
Resistant to welding beads	No	Temperature range, moving	-10...80 °C
Number of poles	5	Outside diameter	7 mm ± 0.3 mm

General technical data

Coding	A-coded	Connection thread	M12 / M12
Contact surface	Gold-plated	LED	No
Version	pin, straight - socket, 90°	Housing main material	PUR
Contact material	Ni/Au	Nominal voltage	125 V
Nominal current	4 A	Protection degree	IP67
Plugging cycles	≥ 100	Pollution severity	3
jumpered	No	Threaded ring material	Brass, nickel-plated
Temperature range of housing	-25...+80 °C	Tightening torque	M12: 0.8 - 1.2 Nm

Electrical properties

Nominal voltage 125 V

General standards

Certificate no. (cULus) E307231

SAIL-M12GM12W-CD-10B

Weidmüller Interface GmbH & Co. KG
Klingenbergstraße 26
D-32758 Detmold
Germany

www.weidmueller.com

Technical data**Plug, left**

Plug left	M12, A-coded, IP67, male contact, straight, Plastic, shielded
-----------	---

Plug, right

Plug right	M12, A-coded, IP67, female contact, angled 90°, Plastic, shielded
------------	---

Classifications

ETIM 8.0	EC002599	ETIM 9.0	EC002599
ETIM 10.0	EC002599	ECLASS 14.0	27-06-03-08
ECLASS 15.0	27-06-03-08		

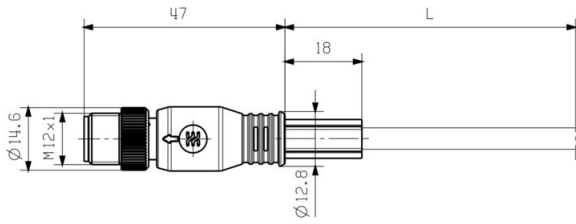
SAIL-M12GM12W-CD-10B

Weidmüller Interface GmbH & Co. KG
Klingenbergstraße 26
D-32758 Detmold
Germany

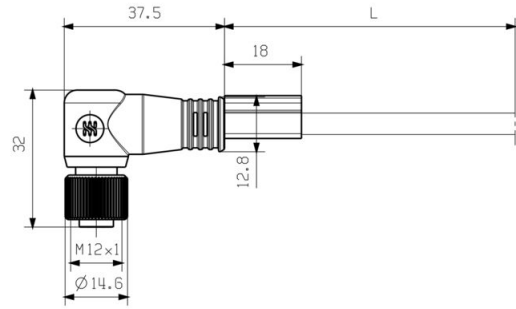
www.weidmueller.com

Drawings

Dimensioned drawing

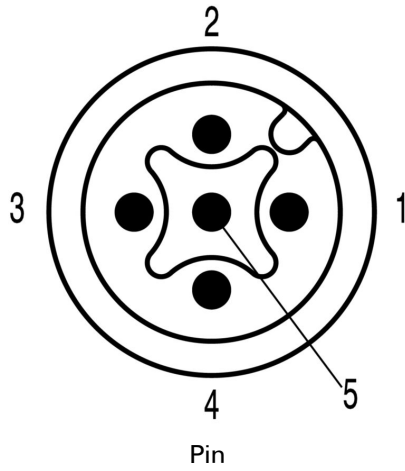


Male, straight



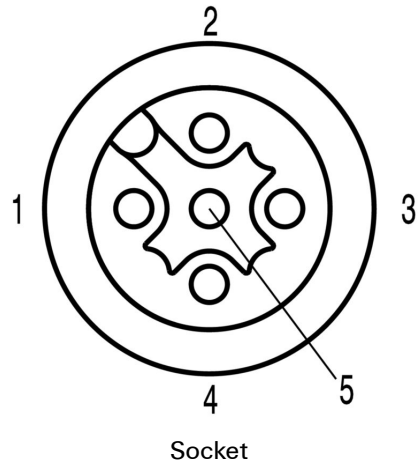
Socket angled

Pole scheme



Pin

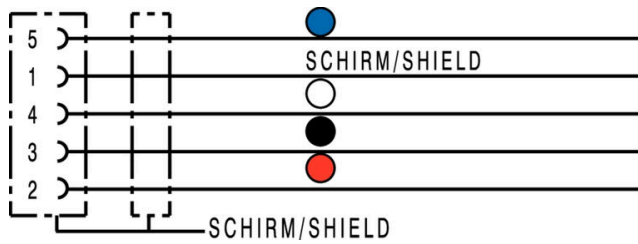
Pole scheme



Socket

Drawings

Wiring diagram



The ideal tool: Screwty® with torque function



Light, securely screwed-in round plug-in connectors. Screwty set DM / VPE: 1 / Order No.: 1920000000 Adapters: M12, M12 F, M8, M8 F