

SAIL-M12GM12W-CD-1.0B**Weidmüller Interface GmbH & Co. KG**

Klingenbergstraße 26

D-32758 Detmold

Germany

www.weidmueller.com



The most reliable way of achieving connections between two I/O slaves or between the control and one I/O subscriber is by way of pre-assembled cables. The line of cables covers PROFIBUS, CANopen, DeviceNet™, EtherCAT and Ethernet.

General ordering data

Version	Bus line, Connecting line, M12 / M12, Number of poles: 5, 1 m, pin, straight - socket, 90°, Shielded: Yes, LED: No, Sheath material: PVC, Halogen: Yes
Order No.	1062190100
Type	SAIL-M12GM12W-CD-1.0B
GTIN (EAN)	4050118473476
Qty.	1 items

SAIL-M12GM12W-CD-1.0B**Weidmüller Interface GmbH & Co. KG**Klingenbergstraße 26
D-32758 Detmold
Germany

www.weidmueller.com

Technical data**Approvals**

Approvals



ROHS Conform

Dimensions and weights

Length	1 m	Length (inches)	39.3701 inch
Net weight	80 g		

Environmental Product Compliance

RoHS Compliance Status	Compliant with exemption
RoHS Exemption (if applicable/known)	6c
REACH SVHC	Lead 7439-92-1
SCIP	1c533b66-fcff-4da5-b89f-fd55fbf5cb55

Technical specifications for cable

Cable length	1 m	Sheathing colour	violet
Resistance to oils	in accordance with IEC 60811-2-1	Suitable for cable carriers	No
Core cross-section	0.34 mm ²	Number of wires	5
Shielded	Yes	Halogen	Yes
Insulation	PVC	Acceleration	7 m/s ²
Bending radius, min., stationary	10 x cable diameter	Bending cycles	5 Mio
Wire cross section (Print/Online)	2 x 0.34 mm ² + 2 x 0.22 mm ²	Resistance to spread of flame	According to IEC 60754-1
Speed	180 m/min	Sheath material	PVC
Configurable cable length	No	Outer cladding in accordance with UL AWM style	2571 (80 °C)
Hybrid cable	No	Irradiation crosslinked	No
Welding spark resistance	No	Colour coding	red, black, white, blue
Temperature range, stationary	-40...80 °C	Resistant to welding beads	No
Temperature range, moving	-25...80 °C	Number of poles	5
Outside diameter	6.7 mm ± 0.3 mm		

General technical data

Coding	A-coded	Connection thread	M12 / M12
Contact surface	Gold-plated	LED	No
Version	pin, straight - socket, 90°	Housing main material	PUR
Contact material	CuZn35PB2	Nominal voltage	125 V
Nominal current	4 A	Protection degree	IP67
Plugging cycles	≥ 100	Pollution severity	3
jumpered	No	Threaded ring material	Brass, nickel-plated
Temperature range of housing	-25...+80 °C	Tightening torque	M12: 0.8 - 1.2 Nm

Cable specific standards

Poisonous gases	According to EN-50267-2-1
-----------------	---------------------------

SAIL-M12GM12W-CD-1.0B

Weidmüller Interface GmbH & Co. KG
 Klingenbergstraße 26
 D-32758 Detmold
 Germany

www.weidmueller.com

Technical data

Electrical properties

Nominal voltage	125 V
-----------------	-------

General standards

Connector standard	IEC 61076-2-101
--------------------	-----------------

Plug, left

Plug left	M12, A-coded, Number of poles: 5, IP67, male contact, straight, plug, shielded
-----------	--

Plug, right

Plug right	M12, A-coded, Number of poles: 5, IP67, female contact, angled 0°, plug, shielded
------------	---

Classifications

ETIM 8.0	EC002599	ETIM 9.0	EC002599
ETIM 10.0	EC002599	ECLASS 14.0	27-06-03-08
ECLASS 15.0	27-06-03-08		

SAIL-M12GM12W-CD-1.0B

Weidmüller Interface GmbH & Co. KG
 Klingenbergstraße 26
 D-32758 Detmold
 Germany

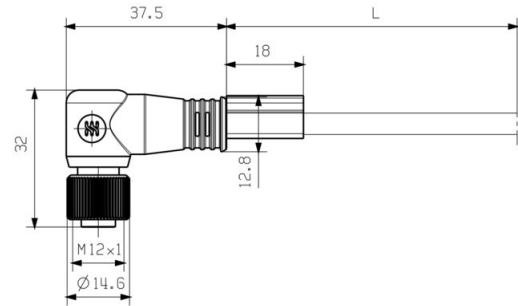
www.weidmueller.com

Drawings

Dimensioned drawing



Male, straight



Socket angled

Pole scheme



Pole scheme



SAIL-M12GM12W-CD-1.0B

Weidmüller Interface GmbH & Co. KG
Klingenbergstraße 26
D-32758 Detmold
Germany

www.weidmueller.com

Drawings

Wiring diagram



The ideal tool: Screwty® with torque function



Light, securely screwed-in round plug-in connectors. Screwty set DM / VPE: 1 / Order No.: 1920000000 Adapters: M12, M12 F, M8, M8 F