

**SAIL-M12BW-CD-20B****Weidmüller Interface GmbH & Co. KG**

Klingenbergstraße 26

D-32758 Detmold

Germany

www.weidmueller.com



The most reliable way of achieving connections between two I/O slaves or between the control and one I/O subscriber is by way of pre-assembled cables. The line of cables covers PROFIBUS, CANopen, DeviceNet™, EtherCAT and Ethernet.

**General ordering data**

Version	Bus line, One end without connector, M12, Number of poles: 5, 20 m, Socket, angled, Shielded: Yes, LED: No, Sheath material: PVC, Halogen: Yes
Order No.	<a href="#">1062182000</a>
Type	SAIL-M12BW-CD-20B
GTIN (EAN)	4050118606454
Qty.	1 items

## SAIL-M12BW-CD-20B

**Weidmüller Interface GmbH & Co. KG**  
 Klingenbergstraße 26  
 D-32758 Detmold  
 Germany

www.weidmueller.com

## Technical data

### Approvals

Approvals



ROHS Conform

### Dimensions and weights

Length	20 m	Length (inches)	787.4016 inch
Net weight	1200 g		

### Environmental Product Compliance

RoHS Compliance Status	Compliant with exemption
RoHS Exemption (if applicable/known)	6c
REACH SVHC	Lead 7439-92-1
SCIP	1c533b66-fcff-4da5-b89f-fd55fbf5cb55

### Technical specifications for cable

Cable length	20 m	Sheathing colour	violet
Resistance to oils	in accordance with IEC 60811-2-1	Suitable for cable carriers	No
Core cross-section	0.34 mm <sup>2</sup>	Number of wires	5
Shielded	Yes	Halogen	Yes
Insulation	PVC	Acceleration	7 m/s <sup>2</sup>
Bending radius, min., moving	10 x cable diameter	Bending radius, min., stationary	10 x cable diameter
Bending cycles	5 Mio	Wire cross section (Print/Online)	2 x 0.34 mm <sup>2</sup> + 2 x 0.22 mm <sup>2</sup>
Resistance to spread of flame	According to IEC 60754-1	Speed	180 m/min
Sheath material	PVC	Configurable cable length	No
Outer cladding in accordance with UL AWM style	2571 (80 °C)	Hybrid cable	No
Irradiation crosslinked	No	Welding spark resistance	No
Colour coding	red, black, white, blue	Temperature range, stationary	-40...80 °C
Resistant to welding beads	No	Temperature range, moving	-25...80 °C
Number of poles	5	Outside diameter	6.7 mm ± 0.3 mm

### General technical data

Coding	A-coded	Connection thread	M12
Contact surface	Gold-plated	LED	No
Version	Socket, angled	Housing main material	PUR
Insulation resistance	108 Ω	Contact material	CuZn35PB2
Nominal voltage	125 V	Nominal current	4 A
Protection degree	IP67	Plugging cycles	≥ 100
Pollution severity	3	jumpered	No
Threaded ring material	Brass, nickel-plated	Temperature range of housing	-25...+80 °C
Tightening torque	M12: 0.8 - 1.2 Nm		

### Cable specific standards

Poisonous gases	According to EN-50267-2-1
-----------------	---------------------------

**SAIL-M12BW-CD-20B**

**Weidmüller Interface GmbH & Co. KG**  
 Klingenbergstraße 26  
 D-32758 Detmold  
 Germany

www.weidmueller.com

**Technical data**

**Electrical properties**

Insulation resistance	108 Ω	Nominal voltage	125 V
-----------------------	-------	-----------------	-------

**General standards**

Connector standard	IEC 61076-2-101
--------------------	-----------------

**Plug, left**

Plug left	M12, A-coded, Number of poles: 5, IP67, female contact, angled 0°, plug, shielded
-----------	---

**Plug, right**

Plug right	Free conductor end
------------	--------------------

**Classifications**

ETIM 8.0	EC002599	ETIM 9.0	EC002599
ETIM 10.0	EC002599	ECLASS 14.0	27-06-03-08
ECLASS 15.0	27-06-03-08		

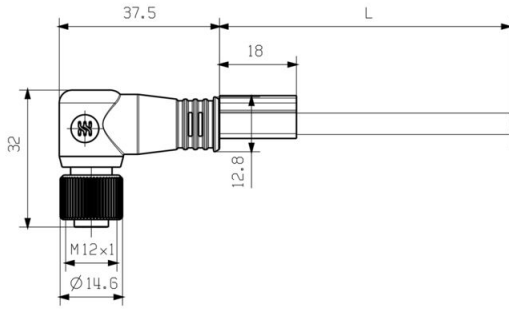
**SAIL-M12BW-CD-20B**

**Weidmüller Interface GmbH & Co. KG**  
 Klingenbergstraße 26  
 D-32758 Detmold  
 Germany

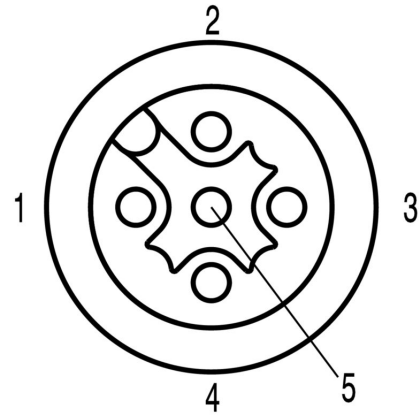
www.weidmueller.com

**Drawings**

**Pole scheme**

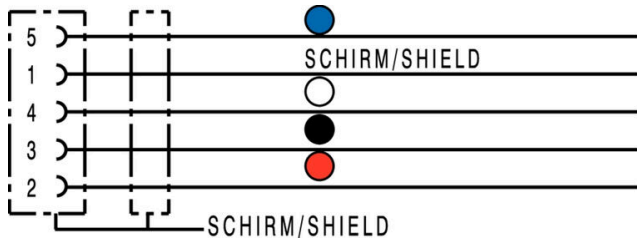


Socket



Socket

**Wiring diagram**



**The ideal tool: Screwty® with torque function**



Light, securely screwed-in round plug-in connectors. Screwty set DM / VPE: 1 / Order No.: 1920000000 Adapters: M12, M12 F, M8, M8 F

