

SAIL-M12GM12W-CD-5.0A

Weidmüller Interface GmbH & Co. KG
 Klingenbergstraße 26
 D-32758 Detmold
 Germany

www.weidmueller.com



The most reliable way of achieving connections between two I/O slaves or between the control and one I/O subscriber is by way of pre-assembled cables. The line of cables covers PROFIBUS, CANopen, DeviceNet™, EtherCAT and Ethernet.

General ordering data

Version	Bus line, Connecting line, M12 / M12, Number of poles: 5, 5 m, pin, straight - socket, 90°, Shielded: Yes, LED: No, Sheath material: PUR, Halogen: No
Order No.	1061990500
Type	SAIL-M12GM12W-CD-5.0A
GTIN (EAN)	4032248811717
Qty.	1 items

SAIL-M12GM12W-CD-5.0A

Weidmüller Interface GmbH & Co. KG
Klingenbergstraße 26
D-32758 Detmold
Germany

www.weidmueller.com

Technical data

Approvals

Approvals



ROHS Conform

UL File Number Search [UL Website](#)

Certificate no. (cULus) E307231

Dimensions and weights

Length	5 mm	Length (inches)	0.1968 inch
Net weight	340.4 g		

Environmental Product Compliance

RoHS Compliance Status	Compliant with exemption
RoHS Exemption (if applicable/known)	6c
REACH SVHC	Lead 7439-92-1
SCIP	1c533b66-fcff-4da5-b89f-fd555bf5cb55

Technical specifications for cable

Cable length	5 m	Sheathing colour	violet
Resistance to oils	in accordance with IEC 60811:404	Suitable for cable carriers	Yes
Core cross-section	0.38 mm ²	Number of wires	5
Shielded	Yes	Halogen	No
Insulation	PE, Polyolefin	Acceleration	4 m/s ²
Bending radius, min., moving	8 x cable diameter	Bending radius, min., stationary	4 x cable diameter
Bending cycles	2 Mio	Wire cross section (Print/Online)	2 x 0.34 mm ² + 2 x 0.22 mm ²
Resistance to spread of flame	in accordance with IEC 60332-1-2, in accordance with UL 1581 VW-1 and UL 2556 sec.9.4	Speed	4 m/s
Sheath material	PUR	Configurable cable length	No
Outer cladding in accordance with UL AWM style	20236 (80 °C / 30 V)	Hybrid cable	Yes
Irradiation crosslinked	No	Welding spark resistance	No
Colour coding	red, black, white, blue	Temperature range, stationary	-40...80 °C
Resistant to welding beads	No	Temperature range, moving	-30...70 °C
Number of poles	5	Outside diameter	6.9 mm ± 0.3 mm

General technical data

Coding	A-coded	Connection thread	M12 / M12
Contact surface	Gold-plated	LED	No
Version	pin, straight - socket, 90°	Housing main material	PUR
Contact material	CuZn35PB2	Nominal voltage	125 V
Nominal current	4 A	Protection degree	IP67
Plugging cycles	≥ 100	Pollution severity	3
jumpered	No	Threaded ring material	Brass, nickel-plated
Temperature range of housing	-25...+80 °C	Tightening torque	M12: 0.8 - 1.2 Nm

SAIL-M12GM12W-CD-5.0A

Weidmüller Interface GmbH & Co. KG
 Klingenbergstraße 26
 D-32758 Detmold
 Germany

www.weidmueller.com

Technical data

Electrical properties

Nominal voltage	125 V
-----------------	-------

General standards

Certificate no. (cULus)	E307231
-------------------------	---------

Plug, left

Plug left	M12, A-coded, Number of poles: 5, IP67, male contact, straight, plug, shielded
-----------	--

Plug, right

Plug right	M12, A-coded, Number of poles: 5, IP67, female contact, angled 0°, plug, shielded
------------	---

Classifications

ETIM 8.0	EC002599	ETIM 9.0	EC002599
ETIM 10.0	EC002599	ECLASS 14.0	27-06-03-08
ECLASS 15.0	27-06-03-08		

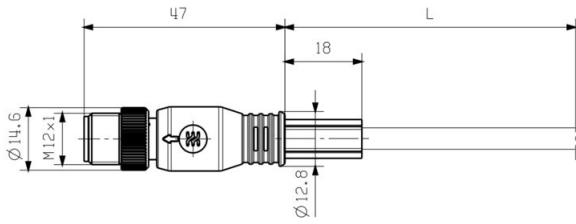
SAIL-M12GM12W-CD-5.0A

Weidmüller Interface GmbH & Co. KG
Klingenbergstraße 26
D-32758 Detmold
Germany

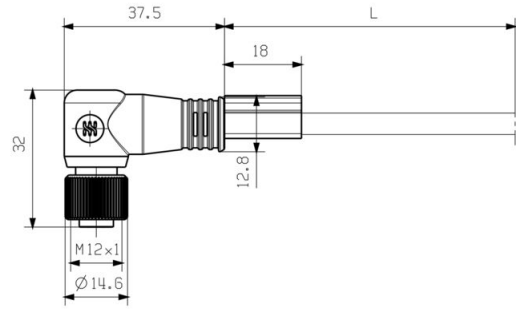
www.weidmueller.com

Drawings

Dimensioned drawing

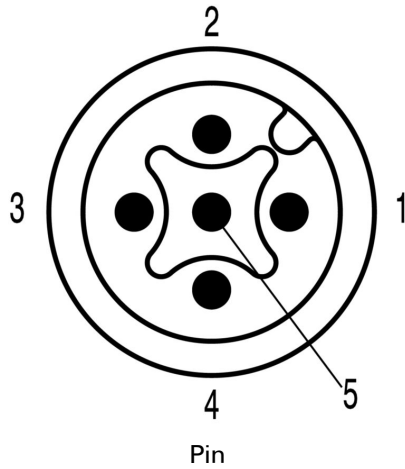


Male, straight



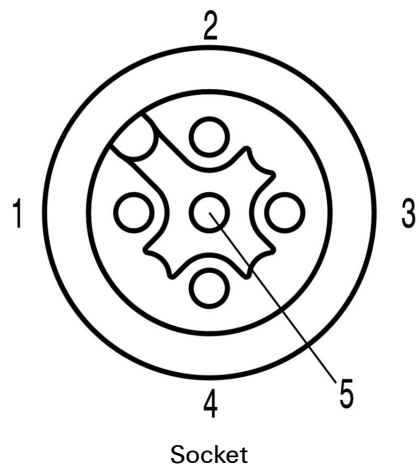
Socket angled

Pole scheme



Pin

Pole scheme



Socket

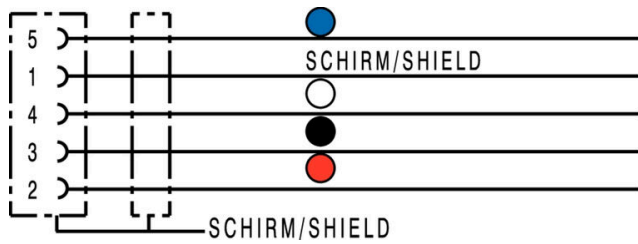
SAIL-M12GM12W-CD-5.0A

Weidmüller Interface GmbH & Co. KG
Klingenbergstraße 26
D-32758 Detmold
Germany

www.weidmueller.com

Drawings

Wiring diagram



The ideal tool: Screwty® with torque function



Light, securely screwed-in round plug-in connectors. Screwty set DM / VPE: 1 / Order No.: 1920000000 Adapters: M12, M12 F, M8, M8 F