

## IE-C5DB4RE0100MCSMCA-E

**Weidmüller Interface GmbH & Co. KG**  
Klingenbergstraße 26  
D-32758 Detmold  
Germany

[www.weidmueller.com](http://www.weidmueller.com)



Assembled IE cables, railway cable, Cat.5, blue or black,  
M12

### General ordering data

Version	System cable, M12 D-code – IP 67 straight pin, M12 D-code – IP 67 angled pin, Cat.5 (ISO/IEC 11801) / Cat.5e (TIA T568-B), Radox GKW S, 10 m
Order No.	<a href="#">1059940100</a>
Type	IE-C5DB4RE0100MCSMCA-E
GTIN (EAN)	4032248808700
Qty.	1 items

## IE-C5DB4RE0100MCSMCA-E

**Weidmüller Interface GmbH & Co. KG**  
 Klingenbergstraße 26  
 D-32758 Detmold  
 Germany

www.weidmueller.com

## Technical data

## Approvals

ROHS	Conform
------	---------

## Dimensions and weights

Length	10 m	Length (inches)	393.7008 inch
Net weight	711.92 g		

## Temperatures

Storage temperature	-40 °C...90 °C	Operating temperature	-40 °C...90 °C
Installation temperature	-25 °C...90 °C		

## Environmental Product Compliance

RoHS Compliance Status	Compliant with exemption
RoHS Exemption (if applicable/known)	6c
REACH SVHC	Lead 7439-92-1
SCIP	67cf1078-beca-4687-860b-dc475a6ec24a

## Cable specific standards

Fire protection in buses	According to ISO 6722-1 5.22 (UN ECE-R 118.01)	Fluorine content	According to EN 60684-2 Section 45.2
Flames propagate vertically on bundled cables	According to BS4066-3, DIN EN 50266-2-5, According to IEC 60332-3-25 D	Multi-wire metallic data and control cable	According to EN50288-2-2
Hydrogen halide content	According to EN-50267-2-1, According to IEC 60754-1	Corrosiveness of fumes	to IEC 60754-2
Fire safety for railway vehicles	According to DIN 5510-2 fire safety levels 1,2,3,4, According to BS 6853, According to EN50288-2-2, According to EN 45545, HL1 - HL3	Impervious to smoke	According to BS 6853 Appendix D, in accordance with EN 50268-2, According to IEC 61034-2
Poisonous gases	According to BS 6853 Appendix B		

## General standards

Connector standard	IEC 61076-2-101
--------------------	-----------------

## Cable structure

Strands	7	Sheathing colour	black
Cross-section	2*2*AWG 22/7 - 2*2*0.36 mm <sup>2</sup>	Shielding	SF/UTP
Insulation cross-section	1.95 mm	Sheath diameter, max.	7.55 mm
Sheath diameter, min.	6.95 mm	Material sheath	Radox GKW S

## Electrical properties of cable

Category	Cat.5 (ISO/IEC 11801) / Cat.5e (TIA T568-B)
----------	---

**IE-C5DB4RE0100MCSMCA-E**

**Weidmüller Interface GmbH & Co. KG**  
 Klingenbergstraße 26  
 D-32758 Detmold  
 Germany

www.weidmueller.com

**Technical data**

**Mechanical and material properties of cable**

Resistance to oils	in accordance with EN 50306-3	Halogen	halogen-free, according to IEC 60754-2
Min. bending radius, repetitive	6 * diameter	Abrasion resistance	very good
Resistance to spread of flame	in accordance with IEC 60332-1-2	Corrosiveness of fumes	to IEC 60754-2
Impervious to smoke	According to BS 6853 Appendix D, in accordance with EN 50268-2, According to IEC 61034-2		

**Plug, left**

Plug left	M12, D-coded, IP67, male contact, straight, plug, Plastic, shielded
-----------	---

**Plug, right**

Plug right	M12, D-coded, IP67, male contact, angled 90°, plug, Plastic, shielded
------------	---

**Classifications**

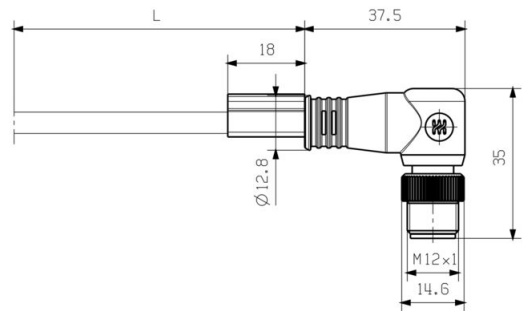
ETIM 8.0	EC002599	ETIM 9.0	EC002599
ETIM 10.0	EC002599	ECLASS 14.0	27-06-03-08
ECLASS 15.0	27-06-03-08		

**IE-C5DB4RE0100MCSMCA-E**

**Weidmüller Interface GmbH & Co. KG**  
 Klingenbergstraße 26  
 D-32758 Detmold  
 Germany

**Drawings**

www.weidmueller.com



**Wiring diagram**

**Detailed drawing**

M12		M12
1	yellow	1
2	white	2
3	orange	3
4	blue	4



## IE-C5DB4RE0100MCSMCA-E

**Weidmüller Interface GmbH & Co. KG**  
 Klingenbergstraße 26  
 D-32758 Detmold  
 Germany

www.weidmueller.com

## Accessories

## Screwty® cable gland tool



The ideal tool for any application  
 Screwty® is the ideal, all-purpose tool for tightening all common sensor and actuator cables. Even difficult-to-reach round plugs are accessible using the Screwty®. A simple turning movement tightens and loosens the connectors without the need for excessive force. The Screwty® is a unique and global solution since it fits with most cables and plugs from other vendors (over 90 %). The Screwty® consists of a handle with a conventional 1/4" adapter. Thus it can be used for all sizes: for M12 and M8 round plug-in connectors, and for M12F and M8F customisable plugs and sockets, as well as for all M23 plugs and sockets.

## General ordering data

Type	SCREWTY- M12	Version	
Order No.	<a href="#">1900000000</a>		Cable gland tool for moulded M12 lines
GTIN (EAN)	4032248375868		
Qty.	1 ST		

## Screwty® cable gland tool with torque function



The ideal tool for any application  
 Screwty® is the ideal, all-purpose tool for tightening all common sensor and actuator cables. Even difficult-to-reach round plugs are accessible using the Screwty®. A simple turning movement tightens and loosens the connectors without the need for excessive force. The Screwty® is a unique and global solution since it fits with most cables and plugs from other vendors (over 90 %). The Screwty® consists of a handle with a conventional 1/4" adapter. Thus it can be used for all sizes: for M12 and M8 round plug-in connectors, and for M12F and M8F customisable plugs and sockets, as well as for all M23 plugs and sockets.

## General ordering data

Type	SCREWTY-M12-DM	Version	
Order No.	<a href="#">1900001000</a>		Cable gland tool for moulded M12 lines
GTIN (EAN)	4032248436408		
Qty.	1 ST		

## IE-C5DB4RE0100MCSMCA-E

**Weidmüller Interface GmbH & Co. KG**  
 Klingenbergstraße 26  
 D-32758 Detmold  
 Germany

www.weidmueller.com

## Accessories

## Screwty® cable gland tool



The ideal tool for any application  
 Screwty® is the ideal, all-purpose tool for tightening all common sensor and actuator cables. Even difficult-to-reach round plugs are accessible using the Screwty®. A simple turning movement tightens and loosens the connectors without the need for excessive force. The Screwty® is a unique and global solution since it fits with most cables and plugs from other vendors (over 90 %). The Screwty® consists of a handle with a conventional 1/4" adapter. Thus it can be used for all sizes: for M12 and M8 round plug-in connectors, and for M12F and M8F customisable plugs and sockets, as well as for all M23 plugs and sockets.

## General ordering data

Type	SCREWTY SET	Version	
Order No.	<a href="#">1910000000</a>		Cable gland tool for M8, M12 lines and connectors
GTIN (EAN)	4032248436842		
Qty.	1 ST		

## Screwty® cable gland tool with torque function



The ideal tool for any application  
 Screwty® is the ideal, all-purpose tool for tightening all common sensor and actuator cables. Even difficult-to-reach round plugs are accessible using the Screwty®. A simple turning movement tightens and loosens the connectors without the need for excessive force. The Screwty® is a unique and global solution since it fits with most cables and plugs from other vendors (over 90 %). The Screwty® consists of a handle with a conventional 1/4" adapter. Thus it can be used for all sizes: for M12 and M8 round plug-in connectors, and for M12F and M8F customisable plugs and sockets, as well as for all M23 plugs and sockets.

## General ordering data

Type	SCREWTY SET -DM	Version	
Order No.	<a href="#">1920000000</a>		Cable gland tool for M8, M12 lines and connectors
GTIN (EAN)	4032248436859		
Qty.	1 ST		

**Accessories**

**Blank**



TM-I is an acknowledged and accredited marker type for traffic engineering applications. There are various different tag lengths available for individual labelling with long character strings. Easy handling of separation and installation thanks to the project marker field. Pre-attachment of sleeves and retrofitting of tags offer excellent versatility

The special contour of TM-I allows easy assembly and secures firm positioning. They are compatible with a number of commercially available sleeves. Thanks to the MultiCard format, the tags can be printed quickly and conveniently with the PrintJet CONNECT, plotter or the STI pen.

- Easy handling of separation and installation thanks to the project marker field.
- Acknowledged and accredited marker for traffic engineering applications
- Pre-attachment of sleeves and retrofitting of tags offer excellent versatility
- Not suited for labelling with P-Ink or STI pen in connection with CLI T sleeves

For custom printing: Please send us a file of our labeling software M-Print PRO or M-Print PRO Online (without installation) for your labeling specifications.

**General ordering data**

Type	TM-I 12 MC NE GE	Version
Order No.	<a href="#">1718411687</a>	TM-I, Insert markers, 1.5 - 22 mm, 12 x 4 mm, yellow
GTIN (EAN)	4008190348984	
Qty.	320 ST	
Type	TM-I 18 MC NE GE	Version
Order No.	<a href="#">1718431687</a>	TM-I, Insert markers, 1.5 - 22 mm, 18 x 4 mm, yellow
GTIN (EAN)	4008190349028	
Qty.	320 ST	