

IE-C5DB4RE0015MCSMCA-E

Weidmüller Interface GmbH & Co. KG
Klingenbergstraße 26
D-32758 Detmold
Germany

www.weidmueller.com



Assembled IE cables, railway cable, Cat.5, blue or black,
M12

General ordering data

Version	System cable, M12 D-code – IP 67 straight pin, M12 D-code – IP 67 angled pin, Cat.5 (ISO/IEC 11801) / Cat.5e (TIA T568-B), Radox GKW S, 1.5 m
Order No.	1059940015
Type	IE-C5DB4RE0015MCSMCA-E
GTIN (EAN)	4032248808670
Qty.	1 items

IE-C5DB4RE0015MCSMCA-E

Weidmüller Interface GmbH & Co. KG
Klingenbergstraße 26
D-32758 Detmold
Germany

www.weidmueller.com

Technical data

Approvals

ROHS	Conform
------	---------

Dimensions and weights

Length	1.5 m	Length (inches)	59.0551 inch
Net weight	124.96 g		

Temperatures

Storage temperature	-40 °C...90 °C	Operating temperature	-40 °C...90 °C
Installation temperature	-25 °C...90 °C		

Environmental Product Compliance

RoHS Compliance Status	Compliant with exemption
RoHS Exemption (if applicable/known)	6c
REACH SVHC	Lead 7439-92-1
SCIP	67cf1078-beca-4687-860b-dc475a6ec24a

Cable specific standards

Fire protection in buses	According to ISO 6722-1 5.22 (UN ECE-R 118.01)	Fluorine content	According to EN 60684-2 Section 45.2
Flames propagate vertically on bundled cables	According to BS4066-3, DIN EN 50266-2-5, According to IEC 60332-3-25 D	Multi-wire metallic data and control cable	According to EN50288-2-2
Hydrogen halide content	According to EN-50267-2-1, According to IEC 60754-1	Corrosiveness of fumes	to IEC 60754-2
Fire safety for railway vehicles	According to DIN 5510-2 fire safety levels 1,2,3,4, According to BS 6853, According to EN50288-2-2, According to EN 45545, HL1 - HL3	Impervious to smoke	According to BS 6853 Appendix D, in accordance with EN 50268-2, According to IEC 61034-2
Poisonous gases	According to BS 6853 Appendix B		

General standards

Connector standard	IEC 61076-2-101
--------------------	-----------------

Cable structure

Strands	7	Sheathing colour	black
Cross-section	2*2*AWG 22/7 - 2*2*0.36 mm ²	Shielding	SF/UTP
Insulation cross-section	1.95 mm	Sheath diameter, max.	7.55 mm
Sheath diameter, min.	6.95 mm	Material sheath	Radox GKW S

Electrical properties of cable

Category	Cat.5 (ISO/IEC 11801) / Cat.5e (TIA T568-B)
----------	---

IE-C5DB4RE0015MCSMCA-E

Weidmüller Interface GmbH & Co. KG
 Klingenbergstraße 26
 D-32758 Detmold
 Germany

www.weidmueller.com

Technical data

Mechanical and material properties of cable

Resistance to oils	in accordance with EN 50306-3	Halogen	halogen-free, according to IEC 60754-2
Min. bending radius, repetitive	6 * diameter	Abrasion resistance	very good
Resistance to spread of flame	in accordance with IEC 60332-1-2	Corrosiveness of fumes	to IEC 60754-2
Impervious to smoke	According to BS 6853 Appendix D, in accordance with EN 50268-2, According to IEC 61034-2		

Plug, left

Plug left	M12, D-coded, IP67, male contact, straight, plug, Plastic, shielded
-----------	---

Plug, right

Plug right	M12, D-coded, IP67, male contact, angled 90°, plug, Plastic, shielded
------------	---

Classifications

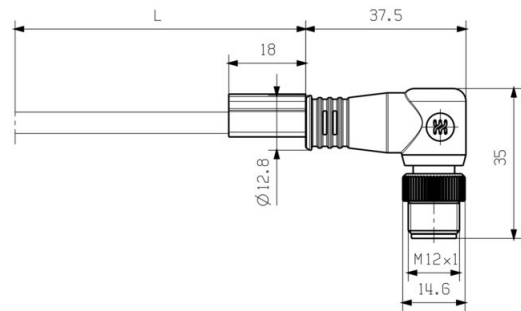
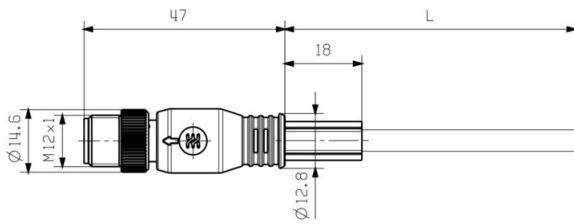
ETIM 8.0	EC002599	ETIM 9.0	EC002599
ETIM 10.0	EC002599	ECLASS 14.0	27-06-03-08
ECLASS 15.0	27-06-03-08		

IE-C5DB4RE0015MCSMCA-E

Weidmüller Interface GmbH & Co. KG
 Klingenbergstraße 26
 D-32758 Detmold
 Germany

Drawings

www.weidmueller.com



Wiring diagram

Detailed drawing

M12		M12
1	yellow	1
2	white	2
3	orange	3
4	blue	4

