

IE-C5DD4UG0100MCAA70-E

Weidmüller Interface GmbH & Co. KG
Klingenbergstraße 26
D-32758 Detmold
Germany

www.weidmueller.com



Assembled IE cables, PROFINET, Cat. 5, PUR, green

General ordering data

| | |
|------------|---|
| Version | Dragline cable, PROFINET, M12 D-code – IP 67 angled pin, RJ45 IP 20, Cat.5 (ISO/IEC 11801) / Cat.5e (TIA T568-B), PUR, 10 m |
| Order No. | 1059760100 |
| Type | IE-C5DD4UG0100MCAA70-E |
| GTIN (EAN) | 4032248808120 |
| Qty. | 1 items |

IE-C5DD4UG0100MCAA70-E

Weidmüller Interface GmbH & Co. KG

Klingenbergstraße 26

D-32758 Detmold

Germany

www.weidmueller.com

Technical data

Approvals

Approvals



ROHS Conform

UL File Number Search [UL Website](#)

Certificate no. (cULus) E316369

Dimensions and weights

| | | | |
|------------|-------|-----------------|---------------|
| Length | 10 m | Length (inches) | 393.7008 inch |
| Net weight | 650 g | | |

Temperatures

| | | | |
|--------------------------|----------------|-----------------------|----------------|
| Storage temperature | -50 °C...70 °C | Operating temperature | -40 °C...70 °C |
| Installation temperature | -20 °C...60 °C | | |

Environmental Product Compliance

| | | | |
|--------------------------------------|--------------------------------------|--|--|
| RoHS Compliance Status | Compliant with exemption | | |
| RoHS Exemption (if applicable/known) | 6c | | |
| REACH SVHC | Lead 7439-92-1 | | |
| SCIP | 67cf1078-beca-4687-860b-dc475a6ec24a | | |

Cable specific standards

| | | | |
|-------------------------------|---|-------------------------|-----------------------|
| Standard, insulating material | DIN EN 50290-2-23 (VDE 0819) Table 2/A (HD 624.3) | Standard, wire material | DIN EN 13602 Cu-ETP-A |
| Standard, shielding material | DIN EN 13602 Cu-ETP-A..B | | |

General standards

| | | | |
|--------------------|---------------------------------|-------------------------|---------|
| Connector standard | IEC 61076-2-101, IEC 60603-7-51 | Certificate no. (cULus) | E316369 |
|--------------------|---------------------------------|-------------------------|---------|

Standards

| | | | |
|-------------------------------|---|------------------------------|---------------------------------|
| Standard, insulating material | DIN EN 50290-2-23 (VDE 0819) Table 2/A (HD 624.3) | Connector standard | IEC 61076-2-101, IEC 60603-7-51 |
| Standard, wire material | DIN EN 13602 Cu-ETP-A | Standard, shielding material | DIN EN 13602 Cu-ETP-A..B |

Cable structure

| | | | |
|--------------------------|---|-----------------------|-----------------------------------|
| Strands | 7 | Sheathing colour | green (RAL 6018) |
| Standard designations | 2YH(ST)C11Y 2x2x0,75/1,5-100 LI VZN GN FRNC | Cross-section | 4*AWG 22/7 - 0.32 mm ² |
| Shielding | SF/UTP | Number of wires | 4 |
| Insulation cross-section | 1.5 mm | Insulation | PE |
| Sheath diameter, max. | 6.7 mm | Sheath diameter, min. | 6.3 mm |
| Material sheath | PUR | Filler | As central element |

IE-C5DD4UG0100MCAA70-E

Weidmüller Interface GmbH & Co. KG
 Klingenbergstraße 26
 D-32758 Detmold
 Germany

www.weidmueller.com

Technical data

| | | | |
|------------------------------|---|---------------------------------------|-----------------------------|
| Arrangement of wire cores | Star-quad | Wire core insulation thickness | 0.38 mm |
| Complete shielding | Aluminium foil, Shielding braid made from copper wiring | Overlap of shielding braid | 85 % |
| Wire material | Stranded tin-plated copper wire | Diameter of inner sheathing | 3.9 mm |
| Sheathing material thickness | 0.9 mm | Colour sequence or wires - wire pairs | white, yellow, blue, orange |
| Shielding braid thickness | 0.13 mm | | |

Electrical properties of cable

| | | | |
|-------------------------|---|--------------------------------|-------------------------|
| Category | Cat.5 (ISO/IEC 11801) / Cat.5e (TIA T568-B) | Speed | 180 m/min |
| Capacity at 1 kHz | 52 nF/km | Loop resistance | 120 Ω/km |
| Signal propagation time | 5.3 ns/m | Test voltage: wire-wire-shield | 2000 Veff, 50 Hz, 1 min |
| Resistance differential | 3 % | Operating voltage, UL | 600 V |
| Delay skew | 40 ns/100m | Operating voltage (UL rating) | 600 V |
| Transfer impedance | 20 mΩ/m at 10 MHz | Characteristic impedance | 100 ± 15 Ω at 1-100 MHz |

Mechanical and material properties of cable

| | | | |
|---------------------------------|--|--------------------------------|--------------------|
| Resistance to oils | in accordance with IEC 60811-2-1 | Silicone-free | Yes |
| UV-resistant | Yes | Pulling force | ≤ 150 N |
| Halogen | halogen-free, according to IEC 60754-2 | Acceleration | 4 m/s ² |
| Min. bending radius, repetitive | 7.5 x cable diameter | Min. bending radius, once only | 5 x cable diameter |
| Abrasion resistance | very good | Bending cycles | 3 Mio |
| Resistance to spread of flame | in accordance with IEC 60332-1 | Speed | 180 m/min |
| Fire propagation | No | | |

Plug, left

| | |
|-----------|--|
| Plug left | M12, IP67, male contact, angled 90°, plug, Plastic, shielded |
|-----------|--|

Plug, right

| | |
|------------|---|
| Plug right | RJ45, IP20, male contact, straight, plug, Plastic, shielded |
|------------|---|

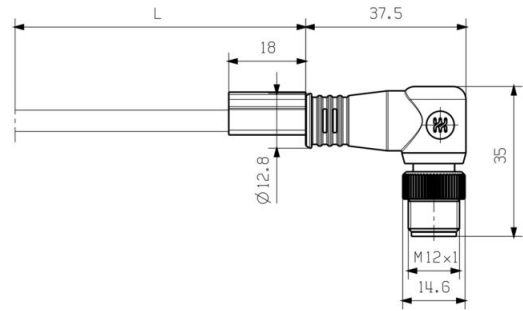
Classifications

| | | | |
|-------------|-------------|-------------|-------------|
| ETIM 8.0 | EC002599 | ETIM 9.0 | EC002599 |
| ETIM 10.0 | EC002599 | ECLASS 14.0 | 27-06-03-08 |
| ECLASS 15.0 | 27-06-03-08 | | |

Drawings

Dimensioned drawing

Dimensioned drawing



Wiring

| RJ45 | | M12 |
|------|--------|-----|
| 1 | yellow | 1 |
| 3 | white | 2 |
| 2 | orange | 3 |
| 6 | blue | 4 |