

IE-C5DD4UG0015MCAA70-E

Weidmüller Interface GmbH & Co. KG
Klingenbergstraße 26
D-32758 Detmold
Germany

www.weidmueller.com



Assembled IE cables, PROFINET, Cat. 5, PUR, green

General ordering data

Version	Dragline cable, PROFINET, M12 D-code – IP 67 angled pin, RJ45 IP 20, Cat.5 (ISO/IEC 11801) / Cat.5e (TIA T568-B), PUR, 1.5 m
Order No.	1059760015
Type	IE-C5DD4UG0015MCAA70-E
GTIN (EAN)	4032248808090
Qty.	1 items

IE-C5DD4UG0015MCAA70-E

Weidmüller Interface GmbH & Co. KG
 Klingenbergstraße 26
 D-32758 Detmold
 Germany

www.weidmueller.com

Technical data

Approvals

Approvals



ROHS Conform

UL File Number Search [UL Website](#)

Certificate no. (cULus) E316369

Dimensions and weights

Length	1.5 m	Length (inches)	59.0551 inch
Net weight	120 g		

Temperatures

Storage temperature	-50 °C...70 °C	Operating temperature	-40 °C...70 °C
Installation temperature	-20 °C...60 °C		

Environmental Product Compliance

RoHS Compliance Status	Compliant with exemption
RoHS Exemption (if applicable/known)	6c
REACH SVHC	Lead 7439-92-1
SCIP	67cf1078-beca-4687-860b-dc475a6ec24a

Cable specific standards

Standard, insulating material	DIN EN 50290-2-23 (VDE 0819) Table 2/A (HD 624.3)	Standard, wire material	DIN EN 13602 Cu-ETP-A
Standard, shielding material	DIN EN 13602 Cu-ETP-A..B		

General standards

Connector standard	IEC 61076-2-101, IEC 60603-7-51	Certificate no. (cULus)	E316369
--------------------	---------------------------------	-------------------------	---------

Standards

Standard, insulating material	DIN EN 50290-2-23 (VDE 0819) Table 2/A (HD 624.3)	Connector standard	IEC 61076-2-101, IEC 60603-7-51
Standard, wire material	DIN EN 13602 Cu-ETP-A	Standard, shielding material	DIN EN 13602 Cu-ETP-A..B

Cable structure

Strands	7	Sheathing colour	green (RAL 6018)
Standard designations	2YH(ST)C11Y 2x2x0,75/1,5-100 LI VZN GN FRNC	Cross-section	4*AWG 22/7 - 0.32 mm ²
Shielding	SF/UTP	Number of wires	4
Insulation cross-section	1.5 mm	Insulation	PE
Sheath diameter, max.	6.7 mm	Sheath diameter, min.	6.3 mm
Material sheath	PUR	Filler	As central element

IE-C5DD4UG0015MCAA70-E

Weidmüller Interface GmbH & Co. KG
 Klingenbergstraße 26
 D-32758 Detmold
 Germany

www.weidmueller.com

Technical data

Arrangement of wire cores	Star-quad	Wire core insulation thickness	0.38 mm
Complete shielding	Aluminium foil, Shielding braid made from copper wiring	Overlap of shielding braid	85 %
Wire material	Stranded tin-plated copper wire	Diameter of inner sheathing	3.9 mm
Sheathing material thickness	0.9 mm	Colour sequence or wires - wire pairs	white, yellow, blue, orange
Shielding braid thickness	0.13 mm		

Electrical properties of cable

Category	Cat.5 (ISO/IEC 11801) / Cat.5e (TIA T568-B)	Speed	180 m/min
Capacity at 1 kHz	52 nF/km	Loop resistance	120 Ω/km
Signal propagation time	5.3 ns/m	Test voltage: wire-wire-shield	2000 Veff, 50 Hz, 1 min
Resistance differential	3 %	Operating voltage, UL	600 V
Delay skew	40 ns/100m	Operating voltage (UL rating)	600 V
Transfer impedance	20 mΩ/m at 10 MHz	Characteristic impedance	100 ± 15 Ω at 1-100 MHz

Mechanical and material properties of cable

Resistance to oils	in accordance with IEC 60811-2-1	Silicone-free	Yes
UV-resistant	Yes	Pulling force	≤ 150 N
Halogen	halogen-free, according to IEC 60754-2	Acceleration	4 m/s ²
Min. bending radius, repetitive	7.5 x cable diameter	Min. bending radius, once only	5 x cable diameter
Abrasion resistance	very good	Bending cycles	3 Mio
Resistance to spread of flame	in accordance with IEC 60332-1	Speed	180 m/min
Fire propagation	No		

Plug, left

Plug left	M12, IP67, male contact, angled 90°, plug, Plastic, shielded
-----------	--

Plug, right

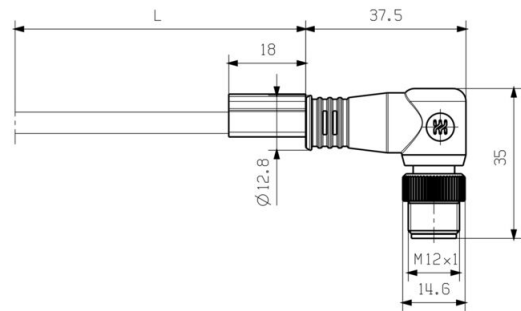
Plug right	RJ45, IP20, male contact, straight, plug, Plastic, shielded
------------	---

Classifications

ETIM 8.0	EC002599	ETIM 9.0	EC002599
ETIM 10.0	EC002599	ECLASS 14.0	27-06-03-08
ECLASS 15.0	27-06-03-08		

Dimensioned drawing

Dimensioned drawing



Wiring

RJ45		M12
1	yellow	1
3	white	2
2	orange	3
6	blue	4