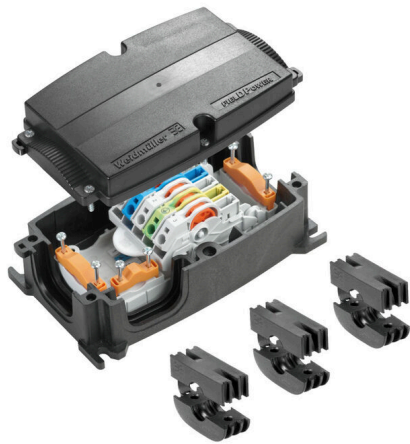


FP BOX SET D9

Weidmüller Interface GmbH & Co. KG

Klingenbergstraße 26
D-32758 Detmold
Germany

www.weidmueller.com



The FieldPower® power distributors support error-free installation in an extremely short space of time. Branches and functions integrated in the cover can simply be plugged in. Robust with high protection degree.

General ordering data

Version	FieldPower® power distribution box, AC, IP65, in complete state, glass-fibre reinforced polycarbonate, PUSH IN, Insulation displacement connection (IDC), Distribution
Order No.	1059320000
Type	FP BOX SET D9
GTIN (EAN)	4032248806386
Qty.	1 items

FP BOX SET D9

Weidmüller Interface GmbH & Co. KG
 Klingenbergstraße 26
 D-32758 Detmold
 Germany

www.weidmueller.com

Technical data

Approvals

ROHS	Conform
------	---------

Dimensions and weights

Depth	67 mm	Depth (inches)	2.6378 inch
Height	181 mm	Height (inches)	7.126 inch
Width	104 mm	Width (inches)	4.0945 inch
Net weight	693 g		

Temperatures

Storage temperature	-40 °C...85 °C	Operating temperature	-40 °C...55 °C
---------------------	----------------	-----------------------	----------------

Environmental Product Compliance

RoHS Compliance Status	Compliant without exemption
REACH SVHC	Potassium perfluorobutane sulfonate 29420-49-3
SCIP	5f19cd84-8946-4797-9386-3ac323b95c10

Clamping capacity

Connection data - contact element Branch / Feed-in	Wire connection method	PUSH IN	
	Blade size of operating tool	0.6 x 3.5 mm	
	Stripping length	14.00 mm	
	Number of poles	5	
	Conductor connection cross-section, solid, max.	6 mm ²	
	Conductor connection cross-section, solid, min.	0.50 mm ²	
	Conductor connection cross-section, stranded, max.	6.00 mm ²	
	Conductor connection cross-section, stranded, min.	0.50 mm ²	
	Conductor connection cross-section, finely stranded, max.	10.00 mm ²	
	Conductor connection cross-section, finely stranded, min.	0.50 mm ²	
	Conductor connection cross-section, finest stranded, max.	6.00 mm ²	
	Conductor connection cross-section, finest stranded, min.	0.50 mm ²	
	Conductor connection cross-section with wire end ferrule	Type of wire end ferrule	12 mm with plastic collar
		Standard	DIN 46228/4
		Cross-section, min.	0.5 mm ²
		Cross-section, max.	6 mm ²
		Type of wire end ferrule	12 mm with plastic collar
		Standard	DIN 46228/4
		Cross-section, min.	0.5 mm ²
		Cross-section, max.	6 mm ²
Type of wire end ferrule		8 mm with plastic collar	
Standard		DIN 46228/4	
Cross-section, min.		0.5 mm ²	
Cross-section, max.		6 mm ²	

FP BOX SET D9

Weidmüller Interface GmbH & Co. KG

Klingenbergstraße 26
D-32758 Detmold
Germany

www.weidmueller.com

Technical data

		Cross-section, min.	0.5 mm ²
		Cross-section, max.	6 mm ²
		Type of wire end ferrule	Twin wire-end ferrules
		Cross-section, min.	0.5 mm ²
		Cross-section, max.	6 mm ²
Connection data - contact element power bus	Wire connection method	Insulation displacement connection (IDC)	
	Blade size of operating tool	0.6 x 3.5 mm	
	Number of poles	5	
	Conductor connection cross-section, solid, max.	6 mm ²	
	Conductor connection cross-section, solid, min.	1.50 mm ²	
	Conductor connection cross-section, stranded, max.	6.00 mm ²	
	Conductor connection cross-section, stranded, min.	2.50 mm ²	
	Conductor connection cross-section, finely stranded, max.	6.00 mm ²	
	Conductor connection cross-section, finely stranded, min.	2.50 mm ²	

General data

Basic material	Polycarbonate, glass fibre reinforced, Polycarbonate, GRP	Insulating material	Polycarbonate
Enclosure material	glass-fibre reinforced polycarbonate	Silicone	No
Colour	black	Protection degree	IP65, in complete state
UL 94 flammability rating	5VA	Torque for lid screws	2 Nm
Lid attachment	TX20 screws	Type of mounting	Screw mounting, Fixing lugs
Installation advice	Lid screws included	Function	Distribution
Can be coded	Yes, Coded on PE	Voltage type	AC
Number of poles	5	Number of connections / pole	1
Wire connection method	PUSH IN, Insulation displacement connection (IDC)		

Rated data acc. to IEC

Rated data acc. to IEC for contact element	Voltage type	AC
	Number of phases	3
	Standard	IEC 60947-7-1, IEC 60947-7-2
	Rated voltage	800 V
	Rated impulse withstand voltage	8.00 kV
	Rated current (3 loaded poles)	41 A
	Rated current (4 loaded poles)	25 A

Rated data acc. to UL

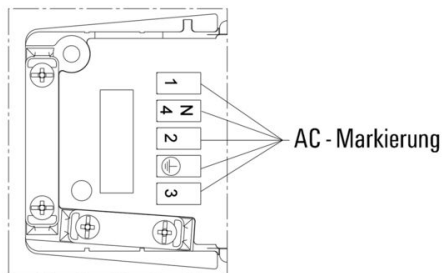
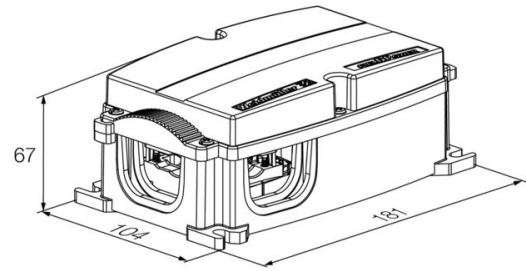
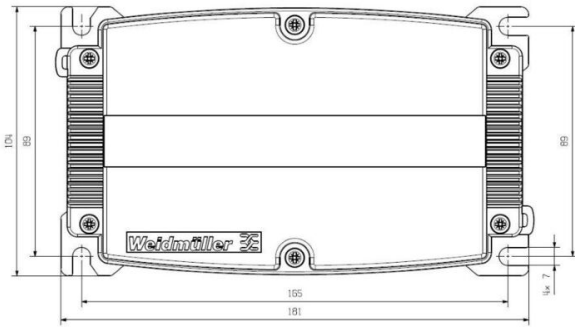
Standards	not UL approved	
Rated data acc. to UL for contact element	Standard	UL 1059
	Note	for use with UL-listed TC-ER cables
	Conductor connection cross-section, AWG, max.	AWG 10
	Conductor connection cross-section, AWG, min.	AWG 14
	Rated voltage	600 V
	Rated current	30 A

Technical data

Classifications

ETIM 8.0	EC000214	ETIM 9.0	EC000214
ETIM 10.0	EC000214	ECLASS 14.0	27-14-24-09
ECLASS 15.0	27-14-24-09		

Drilling template



FP BOX SET D9

Weidmüller Interface GmbH & Co. KG
 Klingenbergstraße 26
 D-32758 Detmold
 Germany

www.weidmueller.com

Accessories

Tools



Sheathing stripper for PVC cables

General ordering data

Type	AM 16	Version	
Order No.	9204190000	Tools, Sheathing strippers	
GTIN (EAN)	4032248608133		
Qty.	1 ST		

Type	AM 25	Version	
Order No.	9001540000	Tools, Sheathing strippers	
GTIN (EAN)	4008190138271		
Qty.	1 ST		

Slotted screwdriver



Slotted screwdriver with rounded blade SD DIN 5265, ISO 2380/2, output to DIN 5264, ISO 2380/1. ChromTop tip, SoftFinish grip

General ordering data

Type	SDS 0.6X3.5X100	Version	
Order No.	2749340000	Screwdriver, Blade width (B): 3.5 mm, Blade length: 100 mm, Blade thickness (A): 0.6 mm	
GTIN (EAN)	4050118895568		
Qty.	1 ST		

Accessories

Bits E6,3 - Torx®



The Weidmüller bits are standard bits which are highly popular with users thanks to their good quality, large range and efficiency. The computer-controlled hardening method enables Weidmüller to guarantee a consistently high standard of quality.

The high-quality raw materials used make it possible to reach torques far higher than any of those specified in the relevant DIN standards:

- DIN 526 1 for PH/PZ bits,
- DIN 5263 for slotted bits,
- Camcar standard for TORX bits

That means a long life at high torques and hence ideal conditions for standard situations.

The benefits:

- Suitable for all types of screws. Because of their excellent hardness values of 59-61 HRC, they are suitable for use with both manual and power tools.
- Good wearing resistance and thus a long life expectancy.
- Optimum fit in all DIN screws means low wear and optimum torque transmission.
- Manufactured to meet professional quality criteria according to relevant ISO standards with a consistently high standard of quality.

General ordering data

Type	BIT E6,3 T20 X 70	Version	
Order No.	2749010000	Screwdriver insert	
GTIN (EAN)	4050118895308		
Qty.	5 ST		

DMS PRO



Weidmüller torque screwdrivers have an ergonomic design and are therefore ideal for use with one hand. They can be used without causing fatigue in all installation positions. Apart from that, they incorporate an automatic torque limiter and have a good reproducibility accuracy.

General ordering data

Type	DMS PRO	Version	
Order No.	1479120000	Mounting tool	
GTIN (EAN)	4050118287011		
Qty.	1 ST		

FP BOX SET D9

Weidmüller Interface GmbH & Co. KG
 Klingenbergstraße 26
 D-32758 Detmold
 Germany

www.weidmueller.com

Accessories

Plastic lock nuts, grey



In addition to cable glands for a wide range of applications, the product portfolio is rounded off by plugs, pressure compensation elements, adaptors and the corresponding accessories such as locknuts, sealing rings, flat washers and earthing rings.

General ordering data

Type	SKMU M20 - K GR	Version	
Order No.	1772460000	SKMU PA (plastic locknut), Locknut, M 20, 6 mm, Polyamid 6 (PA6 -	
GTIN (EAN)	4032248130207	GF30)	
Qty.	100 ST		

IP68 version



In addition to the extensive range of enclosures, Weidmüller offers a variety of cable glands for a wide range of applications. The cable glands made of brass, plastic and stainless steel meet the most various IP protection classes to suit any industrial enclosure. Depending on the series of cable glands and the application, the cable glands are approved and tested according to VDE, UL, UR, cULus, DNV GL or EN 45545.

General ordering data

Type	VG M20 - K 68	Version	
Order No.	2811470000	VG K (standard plastic cable gland), Cable glands, straight, M 20, 10	
GTIN (EAN)	4064675292227	mm, OD min. 10 - OD max. 14 mm, IP54, IP66, IP67, IP68 - 5 bar (30	
Qty.	50 ST	min.), Polyamide 6	
Type	VG M20-1/K68	Version	
Order No.	1772300000	VG K (standard plastic cable gland), Cable glands, straight, M 20, 10	
GTIN (EAN)	4032248129966	mm, OD min. 6 - OD max. 12 mm, IP54, IP66, IP67, IP68 - 5 bar (30	
Qty.	50 ST	min.), Polyamide 6	

Plug-in connector



Power distribution using uncut cables with cross-sections from 1.5 to 6 mm². Power supply / T-branch tap via PUSH IN connection (0.5 to 10 mm²) and/or plug-in connection (0.5 to 4 mm²). Coloured markings provide clear assignment of wires.

- Power supply
- Power distribution
- Power branching

FP BOX SET D9

Weidmüller Interface GmbH & Co. KG
 Klingenbergstraße 26
 D-32758 Detmold
 Germany

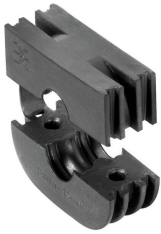
www.weidmueller.com

Accessories

General ordering data

Type	PTDS 4	Version
Order No.	1952130000	Field Power® plug-in connector, 3-phase AC, IP20, Polyamide, PUSH
GTIN (EAN)	4032248632084	IN, Number of poles : 2 x 5
Qty.	10 ST	
Type	PTS 4	Version
Order No.	1952120000	Field Power® plug-in connector, 3-phase AC, IP20, Polyamide, PUSH
GTIN (EAN)	4032248632909	IN, Number of poles : 5
Qty.	10 ST	

Seals



Intelligent cabling solutions can save you valuable time and money.

The FieldPower® modular system contains the right solution for every cabling task.

Foldable seals for the use of pre-assembled cables
 Seals available with M16 and M20 connection thread
 Integration of operating and signalling devices into the seal possible

General ordering data

Type	DG D0 PT6	Version
Order No.	4323240000	Field Power® sealing insert, Blank seal, IP65, with corresponding enclosure, EPDM
GTIN (EAN)	4032248641246	
Qty.	10 ST	