

## IE-BSC-V14M-RJ45-FJ-A

**Weidmüller Interface GmbH & Co. KG**  
Klingenbergstraße 26  
D-32758 Detmold  
Germany

[www.weidmueller.com](http://www.weidmueller.com)



PushPull plug-in connector set according to IEC  
61076-3-117 ver.14 (PROFINET), metal incl. RJ45 insert

### General ordering data

Version	Flange RJ45, IP67, Variant 14 metal, RJ45 IDC module, Central locking flange with RJ45 adapter, Cat.6A / Class EA (ISO/IEC 11801 2010)
Order No.	<a href="#">1058270000</a>
Type	IE-BSC-V14M-RJ45-FJ-A
GTIN (EAN)	4032248799367
Qty.	10 items

## IE-BSC-V14M-RJ45-FJ-A

**Weidmüller Interface GmbH & Co. KG**  
 Klingenbergstraße 26  
 D-32758 Detmold  
 Germany

www.weidmueller.com

## Technical data

### Approvals

Approvals



ROHS Conform  
 UL File Number Search [UL Website](#)  
 Certificate no. (cULus) E316369

### Dimensions and weights

Net weight 80.5 g

### Temperatures

Storage temperature Operating temperature -40 °C...70 °C  
 Installation temperature

### Environmental Product Compliance

RoHS Compliance Status Compliant with exemption  
 RoHS Exemption (if applicable/known) 6c  
 REACH SVHC Lead 7439-92-1, 6,6'-di-tert-butyl-2,2'-methylenedi-p-cresol 119-47-1  
 SCIP e5bbf197-73b5-420b-90c0-0173b7b3b6b7

### General data

Connection 1	RJ45	Connection 2	IDC
Description of article	Variant 14 metal, RJ45 IDC module, Central locking flange with RJ45 adapter	Wiring	TIA-568A
Seal material	NBR	Housing main material	Zinc diecast
Insulation cross-section, max.	1.6 mm	Category	Cat.6A / Class EA (ISO/IEC 11801 2010)
Contact surface	Gold over nickel	Connection diameter, solid	0.4...0.64 mm
Conductor connection cross-section, solid (AWG)	AWG 24...AWG 22	Connection diameter, flexible	0.48...0.76 mm
Conductor connection cross-section, flexible (AWG)	AWG 26...AWG 22	Sheath diameter, min.	5 mm
Sheath diameter, max.	10 mm	Type of mounting	Central cable gland
Shielding	360°; all-round enclosure	Protection degree	IP67
Plugging cycles	750		

### Electrical properties

Dielectric strength, contact / shield  $\geq 1500$  V AC/DC  
 PoE / PoE+ conforming to IEEE 802.3bt  
 Dielectric strength, contact / contact  $\geq 1000$  V AC/DC

### General standards

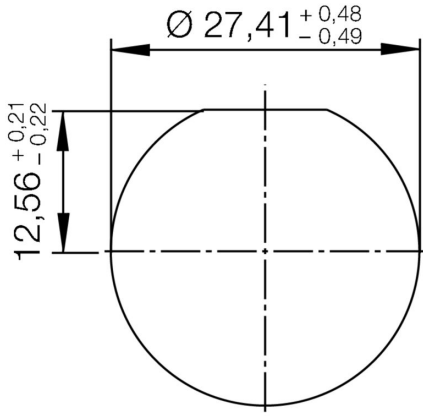
Connector standard IEC 61076-3-117 Var. 14, IEC 60603-7-51  
 Certificate no. (cULus) E316369

**Technical data**

**Classifications**

ETIM 8.0	EC001121	ETIM 9.0	EC001121
ETIM 10.0	EC001121	ECLASS 14.0	27-44-03-90
ECLASS 15.0	27-44-03-90		

Installation cut-out



## IE-BSC-V14M-RJ45-FJ-A

**Weidmüller Interface GmbH & Co. KG**  
Klingenbergstraße 26  
D-32758 Detmold  
Germany

[www.weidmueller.com](http://www.weidmueller.com)

## Accessories

### Dust caps



For protecting your devices against dust and dirt.

### General ordering data

Type	IE-BP-V14P	Version	
Order No.	<a href="#">1058310000</a>	Flange-mounted housing, protective cap	
GTIN (EAN)	4032248799404		
Qty.	10 ST		