

IE-BSC-V14M-RJ45-FJ-A

Weidmüller Interface GmbH & Co. KG
Klingenbergstraße 26
D-32758 Detmold
Germany

www.weidmueller.com



PushPull plug-in connector set according to IEC
61076-3-117 ver.14 (PROFINET), metal incl. RJ45 insert

General ordering data

Version	Flange RJ45, IP67, Variant 14 metal, RJ45 IDC module, Central locking flange with RJ45 adapter, Cat.6A / Class EA (ISO/IEC 11801 2010)
Order No.	1058270000
Type	IE-BSC-V14M-RJ45-FJ-A
GTIN (EAN)	4032248799367
Qty.	10 items

IE-BSC-V14M-RJ45-FJ-A

Weidmüller Interface GmbH & Co. KG
 Klingenbergstraße 26
 D-32758 Detmold
 Germany

www.weidmueller.com

Technical data

Approvals

Approvals



ROHS Conform
 UL File Number Search [UL Website](#)
 Certificate no. (cULus) E316369

Dimensions and weights

Net weight 80.5 g

Temperatures

Storage temperature Operating temperature -40 °C...70 °C
 Installation temperature

Environmental Product Compliance

RoHS Compliance Status Compliant with exemption
 RoHS Exemption (if applicable/known) 6c
 REACH SVHC Lead 7439-92-1, 6,6'-di-tert-butyl-2,2'-methylenedi-p-cresol 119-47-1
 SCIP e5bbf197-73b5-420b-90c0-0173b7b3b6b7

General data

Connection 1	RJ45	Connection 2	IDC
Description of article	Variant 14 metal, RJ45 IDC module, Central locking flange with RJ45 adapter	Wiring	TIA-568A
Seal material	NBR	Housing main material	Zinc diecast
Insulation cross-section, max.	1.6 mm	Category	Cat.6A / Class EA (ISO/IEC 11801 2010)
Contact surface	Gold over nickel	Connection diameter, solid	0.4...0.64 mm
Conductor connection cross-section, solid (AWG)	AWG 24...AWG 22	Connection diameter, flexible	0.48...0.76 mm
Conductor connection cross-section, flexible (AWG)	AWG 26...AWG 22	Sheath diameter, min.	5 mm
Sheath diameter, max.	10 mm	Type of mounting	Central cable gland
Shielding	360°; all-round enclosure	Protection degree	IP67
Plugging cycles	750		

Electrical properties

Dielectric strength, contact / shield ≥ 1500 V AC/DC
 PoE / PoE+ conforming to IEEE 802.3bt
 Dielectric strength, contact / contact ≥ 1000 V AC/DC

General standards

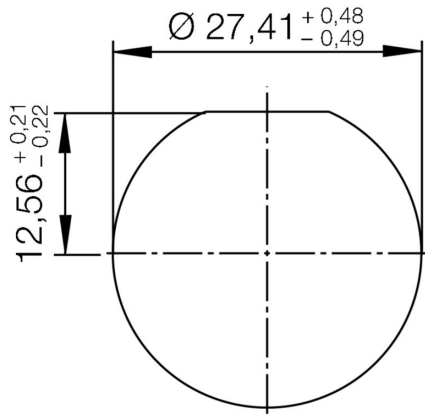
Connector standard IEC 61076-3-117 Var. 14, IEC 60603-7-51
 Certificate no. (cULus) E316369

Technical data

Classifications

ETIM 8.0	EC001121	ETIM 9.0	EC001121
ETIM 10.0	EC001121	ECLASS 14.0	27-44-03-90
ECLASS 15.0	27-44-03-90		

Installation cut-out



IE-BSC-V14M-RJ45-FJ-A

Weidmüller Interface GmbH & Co. KG
Klingenbergstraße 26
D-32758 Detmold
Germany

www.weidmueller.com

Accessories

Dust caps



For protecting your devices against dust and dirt.

General ordering data

Type	IE-BP-V14P	Version	
Order No.	1058310000	Flange-mounted housing, protective cap	
GTIN (EAN)	4032248799404		
Qty.	10 ST		