

## LS 2.8 WDU2.5-10

**Weidmüller Interface GmbH & Co. KG**  
Klingenbergstraße 26  
D-32758 Detmold  
Germany

[www.weidmueller.com](http://www.weidmueller.com)

### Product image



With our wide range of KLBÜ shield connections, you can achieve flexible and self-adjusting shield contacting and ensure error-free plant operation.

### General ordering data

Version	W-Series, Shield bus
Order No.	<a href="#">1056400000</a>
Type	LS 2.8 WDU2.5-10
GTIN (EAN)	4008 190036454
Qty.	100 items

## LS 2.8 WDU2.5-10

**Weidmüller Interface GmbH & Co. KG**  
 Klingenbergstraße 26  
 D-32758 Detmold  
 Germany

www.weidmueller.com

## Technical data

### Approvals

ROHS	Conform
------	---------

### Dimensions and weights

Depth	4.3 mm	Depth (inches)	0.1693 inch
Height	75.2 mm	Height (inches)	2.9606 inch
Width	1.15 mm	Width (inches)	0.0453 inch
Net weight	1.6 g		

### Temperatures

Storage temperature	-25 °C...55 °C	Ambient temperature	-5 °C...40 °C
---------------------	----------------	---------------------	---------------

### Environmental Product Compliance

RoHS Compliance Status	Compliant without exemption
REACH SVHC	No SVHC above 0.1 wt%

### Material data

Basic material	tinned copper	Colour	Silver grey
----------------	---------------	--------	-------------

### Additional technical data

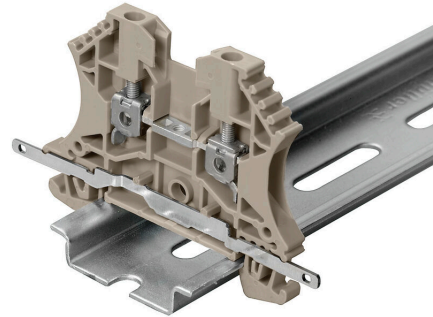
Type of fixing	Snap-on	Installation advice	Direct mounting
Explosion-tested version	No		

### General

Installation advice	Direct mounting
---------------------	-----------------

### Classifications

ETIM 8.0	EC002848	ETIM 9.0	EC002848
ETIM 10.0	EC002848	ECLASS 14.0	27-14-11-92
ECLASS 15.0	27-14-11-92		



## LS 2.8 WDU2.5-10

**Weidmüller Interface GmbH & Co. KG**  
 Klingenbergstraße 26  
 D-32758 Detmold  
 Germany

www.weidmueller.com

## Accessories

## Cable-lug sleeves



Insulated tab-connector sleeves made from PVC with copper sleeve

- Commercially available designs
- Not soldered
- With conical entry funnel

## General ordering data

Type	LIF 1,5F288 R	Version	
Order No.	<a href="#">9200520000</a>	cable lug, terminal end, Insulated cable connector, 1,5 mm <sup>2</sup> , 0,5 mm <sup>2</sup> -	
GTIN (EAN)	4032248410361	1,5 mm <sup>2</sup> , red	
Qty.	100 ST		
Type	VFSKHI/1,5-2,5/288	Version	
Order No.	<a href="#">1491740000</a>	cable lug, terminal end, Insulated cable connector, 2,5 mm <sup>2</sup> , 1,5 mm <sup>2</sup> -	
GTIN (EAN)	4050118301472	2,5 mm <sup>2</sup> , blue	
Qty.	100 ST		
Type	VFSKHI/0,5-1,0/288	Version	
Order No.	<a href="#">1491650000</a>	cable lug, terminal end, Insulated cable connector, 1 mm <sup>2</sup> , 0,5 mm <sup>2</sup> - 1	
GTIN (EAN)	4050118301519	mm <sup>2</sup> , red	
Qty.	100 ST		
Type	VFSKHI/0,1-0,5/288	Version	
Order No.	<a href="#">1491630000</a>	cable lug, terminal end, Insulated cable connector, 0,5 mm <sup>2</sup> , 0,1 mm <sup>2</sup> -	
GTIN (EAN)	4050118301489	0,5 mm <sup>2</sup> , yellow	
Qty.	100 ST		

## Cable-lug sleeves, fully insulated



Fully-insulated tab-connector sleeves made from PVC with copper sleeve

- Commercially available designs
- Not soldered
- With conical entry funnel

## General ordering data

Type	VFSKHV/0,5-1,0/288	Version	
Order No.	<a href="#">1491870000</a>	cable lug, terminal end, Insulated cable connector, 1 mm <sup>2</sup> , 0,5 mm <sup>2</sup> - 1	
GTIN (EAN)	4050118301908	mm <sup>2</sup> , red	
Qty.	100 ST		