

SAI-04L-VP12-3A-M080-PNP

Weidmüller Interface GmbH & Co. KG
Klingenbergstraße 26
D-32758 Detmold
Germany

www.weidmueller.com

Similar to illustration

The new slim M8 line from Weidmüller. This range of products is characterised by the marking options at all connection positions. Even the 4-way distributor with 8-pole M12 has adequately large markers at all M8 connection positions. Furthermore, this distributor is shorter than many conventional M8 designs.

- Very narrow, short and flat M8 distributor.
- The range is supplied with 4 to 12 M8 connection positions, 3 or 4 poles.
- Hybrid variants of the M8 are also possible on request.
- The M8 line is equipped with transverse holes.

General ordering data

Version	with M12 outlet, 8-pole, A-coded, M8, 30 V, , LED: Yes, LED initiator: No, Wiring type: PNP
Order No.	1051760000
Type	SAI-04L-VP12-3A-M080-PNP
GTIN (EAN)	4032248790302
Qty.	1 items

SAI-04L-VP12-3A-M080-PNP

Weidmüller Interface GmbH & Co. KG
 Klingenbergstraße 26
 D-32758 Detmold
 Germany

www.weidmueller.com

Technical data

Approvals

Approvals



ROHS Conform

Dimensions and weights

Depth	113 mm	Depth (inches)	4.4488 inch
Height	18.2 mm	Height (inches)	0.7165 inch
Width	24 mm	Width (inches)	0.9449 inch
Net weight	64 g		

Temperatures

Operating temperature -20 - 70°C

Environmental Product Compliance

RoHS Compliance Status Compliant without exemption
 REACH SVHC No SVHC above 0.1 wt%

Connection data

Distributor outlet with M12 outlet, 8-pole, A-coded

Electrical data

Rated voltage, min.	15 V	Rated voltage, max.	30 V
Max. current-carrying capacity per slot	2 A	Total current	2 A
Electrical isolation available	No	Insulation resistance	109 Ω

General technical data

Protection degree	IP68	Number of poles	3
Number of contact sockets	4	Connection thread	M8
Pollution severity	3	LED	Yes
LED initiator	No	LED colour for indicating operation	green

Material data

Material O-Ring	FKM	Housing main material	PBT
Material of distributor	Plastic	Housing colour	black (similar to RAL 9005)
Contact material	CuZn	Contact surface	Gold-plated

Technical data cable

Number of poles 3 Suitable for cable carriers No

Classifications

ETIM 8.0	EC003558	ETIM 9.0	EC003558
ETIM 10.0	EC003558	ECLASS 14.0	27-44-01-11

SAI-04L-VP12-3A-M080-PNP

Weidmüller Interface GmbH & Co. KG
Klingenbergstraße 26
D-32758 Detmold
Germany

Technical data

www.weidmueller.com

ECLASS 15.0

27-44-01-11

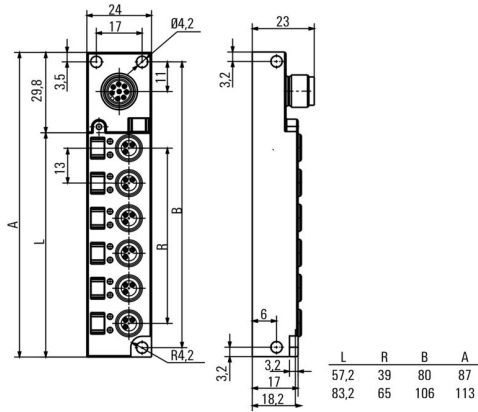
SAI-04L-VP12-3A-M080-PNP

Weidmüller Interface GmbH & Co. KG
 Klingenbergstraße 26
 D-32758 Detmold
 Germany

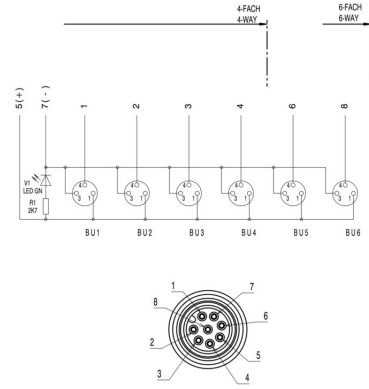
www.weidmueller.com

Drawings

Dimensioned drawing



Wiring diagram



Pole scheme

