

IE-OP-V04P-1S**Weidmüller Interface GmbH & Co. KG**Klingenbergstraße 26
D-32758 Detmold
Germany

www.weidmueller.com



Junction box, design for PushPull plug-in connectors ver.4
according to IEC 61076-3-106, plastic

General ordering data

Version	Wall-mounted junction box, IP67, Variant 4 to IEC 61076-3-106
Order No.	1045780000
Type	IE-OP-V04P-1S
GTIN (EAN)	4032248779963
Qty.	10 items

Technical data

Approvals

ROHS	Conform
------	---------

Dimensions and weights

Depth	106.9 mm	Depth (inches)	4.2087 inch
Height	61.6 mm	Height (inches)	2.4252 inch
Width	41.8 mm	Width (inches)	1.6457 inch
Net weight	6.5 g		

Temperatures

Storage temperature	Operating temperature	-40 °C...70 °C
Installation temperature		

Environmental Product Compliance

RoHS Compliance Status	Compliant without exemption
REACH SVHC	No SVHC above 0.1 wt%

General data

UL 94 flammability rating	V-0	Colour	black
Housing main material	PA	Type of mounting	Floor-mounted, for exposed connections, Wall mounting
Protection degree	IP67	Plugging cycles	750

General standards

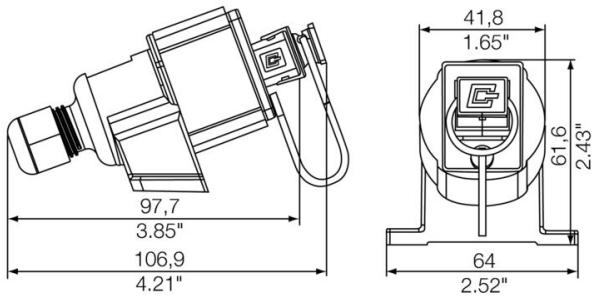
Connector standard	IEC 61076-3-106 Var. 4
--------------------	------------------------

Classifications

ETIM 8.0	EC002597	ETIM 9.0	EC002597
ETIM 10.0	EC002597	ECLASS 14.0	27-44-03-18
ECLASS 15.0	27-44-03-18		

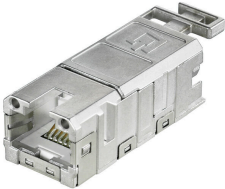
Drawings

Dimensioned drawing



Accessories

RJ45



FrontCom® Vario integrates multiple functions in only one single frame. The system is easy to install and you can select from a wide range of data, signal and power modules. In addition to being extremely compact, FrontCom® Vario offers a number of unique product features that will make your project planning and work activities secure, fast and future-proof. Furthermore, the FrontCom® Vario system has an attractive housing design that, by the way, offers highest impact-resistance and fully meets the requirements of IP 65 protection class.

General ordering data

Type	IE-BI-RJ45-FJ-B	Version
Order No.	1963840000	RJ45 insert socket, Connector for base, TIA-568B
GTIN (EAN)	4032248651894	
Qty.	10 ST	
Type	IE-BI-RJ45-FJ-P	Version
Order No.	1963830000	RJ45 insert socket, Connector for base, PROFINET
GTIN (EAN)	4032248646159	
Qty.	10 ST	
Type	IE-BI-RJ45-FJ-A	Version
Order No.	1962850000	RJ45 insert socket, Connector for base, TIA-568A
GTIN (EAN)	4032248645053	
Qty.	10 ST	

Sets - RJ45

PushPull plug-in connector set according to IEC 61076-3-106 ver.4 (IEC24702), plastic with RJ45 insert



General ordering data

Type	IE-PS-V04P-RJ45-FH	Version
Order No.	1963160000	RJ45 plug, no tools required, Version 4, Cat.6A / Class EA (ISO/IEC 11801 2010)
GTIN (EAN)	4032248651665	
Qty.	10 ST	